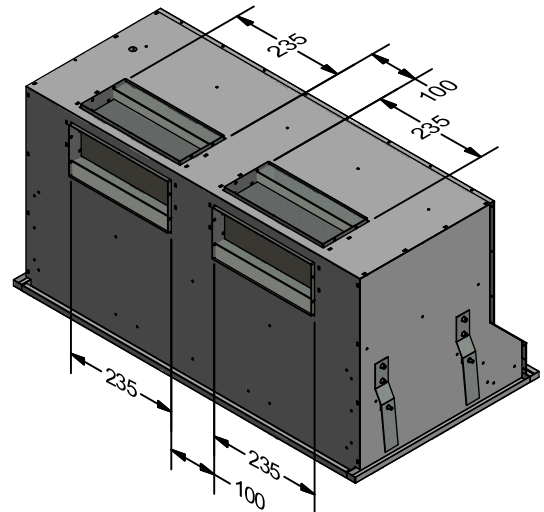
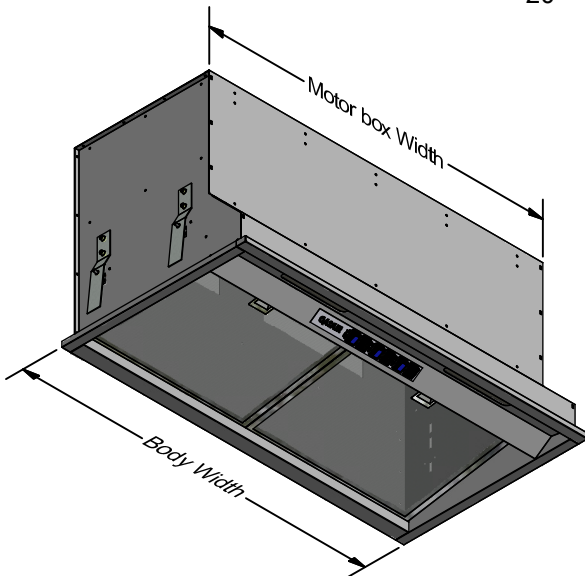
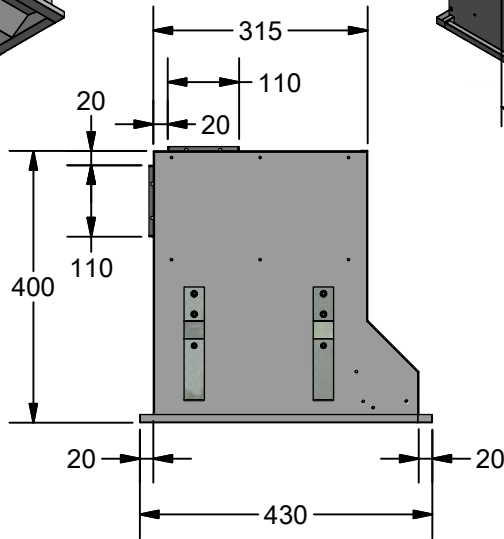
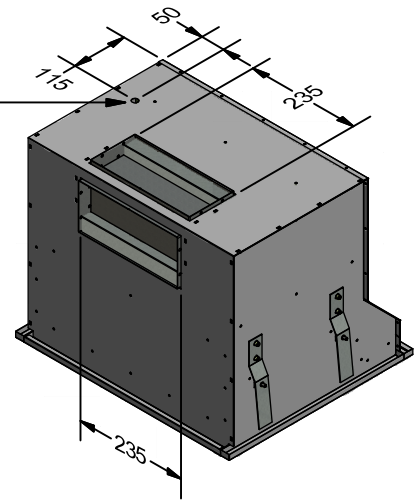
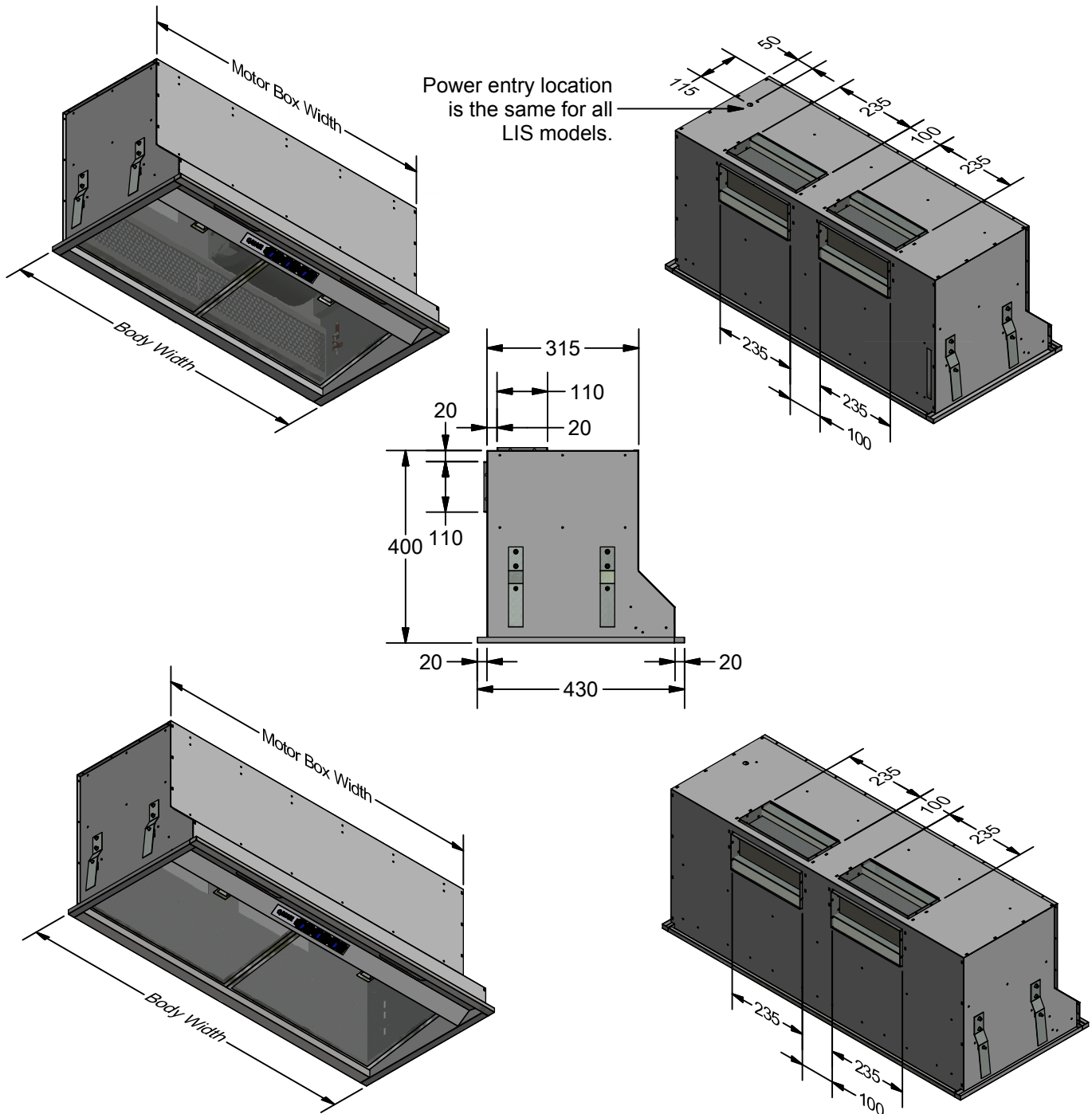


Power entry location is the same for all LIS models.



Model	LIS 500L-1	LIS 800L-1	LIS 800L-2	Model	LIS 500L-1	LIS 800L-1	LIS 800L-2
Body Width	500mm	800mm	800mm	Filter Size	459mm x 290mm	379mm x 290mm	379mm x 290mm
Motor Box / Flue Width	480mm	780mm	780mm	Conversion Top/Back Back/Top	YES	YES	YES
Motor Qty	1	1	2	Electrical Connection	10 Amp Lead	10 Amp Lead	10 Amp Lead
LED Light	Cool	Cool	Cool	Minimum Height (H =)	N/A	N/A	N/A
Nightlight	YES	YES	YES	Maximum Height (H =)	N/A	N/A	N/A
Light Qty	1	2	2	PowderKote® Available	N/A	N/A	N/A
Light Centres	Centre	380mm	380mm	All-thread Fixing Centres	N/A	N/A	N/A
Filter Qty	1	2	2	Corner Type	Square	Square	Square
				Condari Pty Ltd.	Version: A 01/07/2014F		Page 1 of 3



Model	LIS 900L-2	LIS 1000L-2	Model	LIS 900L-2	LIS 1000L-2
Body Width	900mm	1000mm	Filter Size	424mm x 290mm	479mm x 290mm
Motor Box / Flue Width	870mm	980mm	Conversion Top/Back Back/Top	YES	YES
Motor Qty	2	2	Electrical Connection	10 Amp Lead	10 Amp Lead
LED Light	Cool	Cool	Minimum Height (H =)	N/A	N/A
Nightlight	YES	YES	Maximum Height (H =)	N/A	N/A
Light Qty	2	2	PowderKote® Available	N/A	N/A
Light Centres	424mm	480mm	All-thread Fixing Centres	N/A	N/A
Filter Qty	2	2	Corner Type	Square	Square
			Condari Pty Ltd.	Version: A 01/07/2014F Page 2 of 3	

