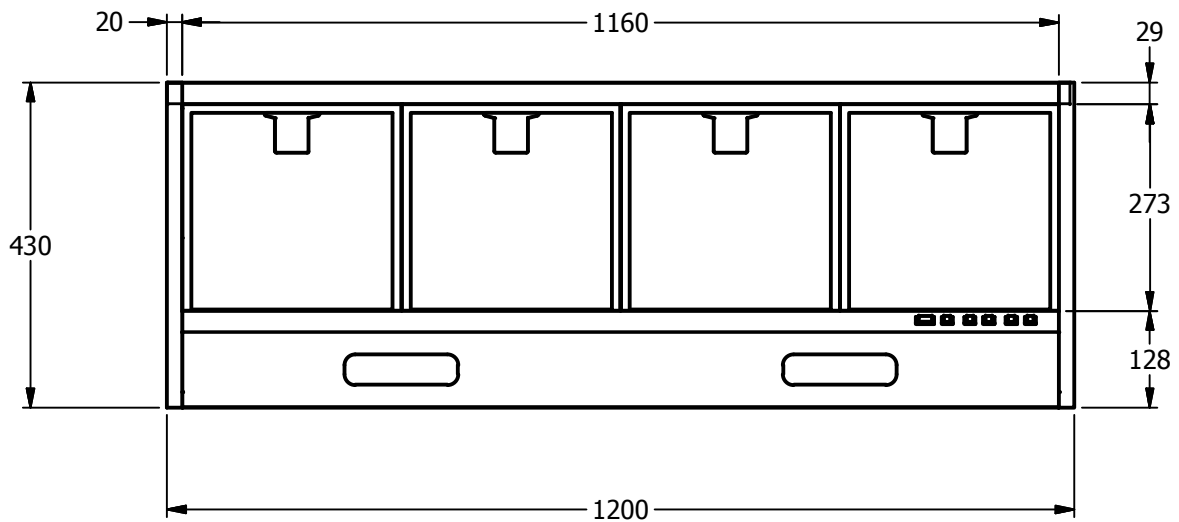
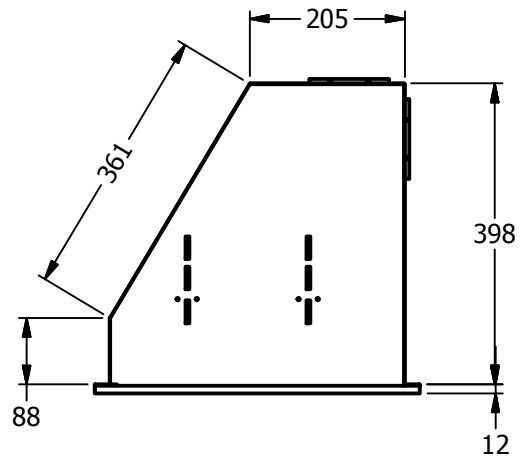
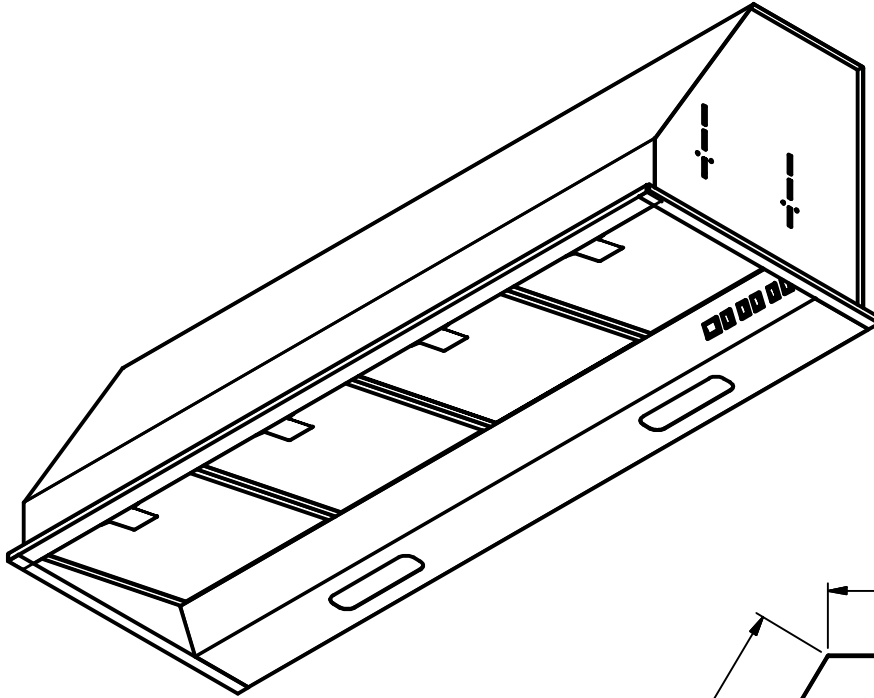


Can be Either Top or Back Ducted.

All fans are equally spaced from the centre line of the rangehood at a standard 335mm spacing.

LED lights and nightlights.
 Electrical connection via a 10 Amp power lead with 3 Pin Plug.

| Model | Body Width | Fanbox Width | Lights | Light Centres | Filters | Filter size |
|------------|------------|--------------|--------|---------------|---------|---------------|
| UV 500L-1 | 500mm | 460mm | 1 | Centre | 1 | 459 x 290mm |
| UV 800L-1 | 800mm | 760mm | 2 | 380mm | 2 | 379.5 x 290mm |
| UV 800L-2 | 800mm | 760mm | 2 | 380mm | 2 | 379.5 x 290mm |
| UV 1000L-2 | 1000mm | 960mm | 2 | 580mm | 2 | 479.5 x 290mm |
| UV 1200L-2 | 1200mm | 1160mm | 2 | 580mm | 4 | 290 x 290mm |
| UV 1200L-3 | 1200mm | 1160mm | 2 | 580mm | 4 | 290 x 290mm |
| UV 1500L-3 | 1500mm | 1460mm | 3 | 365mm | 4 | 365 x 290mm |



Compact Fluorescent Lights. Electrical Connection Via a 10 Amp Power Lead with 3 Pin Plug. All Fans are Spaced at a Standard 335mm Spacing and Can be Either top or back ducted.

| Model | Fascia Width | Fanbox Width | Lights | Light Centres | Filters | Filter size |
|------------|--------------|--------------|--------|---------------|---------|-------------|
| UV 1200L-3 | 1200mm | 1160mm | 2 | 580mm | 4 | 290 x 290mm |