

# MAXMATIC

Domestic Food Waste Disposal Unit



# MaxMatic Disposer 5000

## Batch Feed Model

The ultimate in food waste disposal units and the **only one on the Australian market with a standard magnitop plug for batch feed operation**. Manufactured in the United Kingdom for **over 4 decades**, the MaxMatic 5000 is designed to outlast its competitors.



### Environmental & Practical

Helps **reduce landfill** resulting mostly in dry waste in your bin.



### Apartment / Home Living

**Hygienic & clean** way to maintain every kitchen.



### Time Saving

Conveniently reduces the **number of trips to the rubbish**.



### Safe & Easy To Use

Easily converted from **batch feed operation to continuous feed** by using either the **magnitop plug or the magnitube plug**; both of which come as a standard inclusion. Simply insert either plug and twist to turn the unit on. Pushing scraps through the **magnitube plug** safely takes care of most food waste and for added safety use the **magnitop plug** for batch feeding bones and crustaceans. A running tap will wash the waste away with ease.





### Quiet In Operation

Installed using an adjustable **stud mounting** allowing for precise verticle suspension reducing vibration (noise) through the sink.



### Powerful Function

Equipped with a powerful  $\frac{3}{4}$  **horsepower motor** and built to grind up almost all waste generated from cooking by its **industrial grade cast stainless steel grinding system**. The MaxMatic is the only disposer capable of making a meal of **t-bones, crustaceans and avocado pips**.

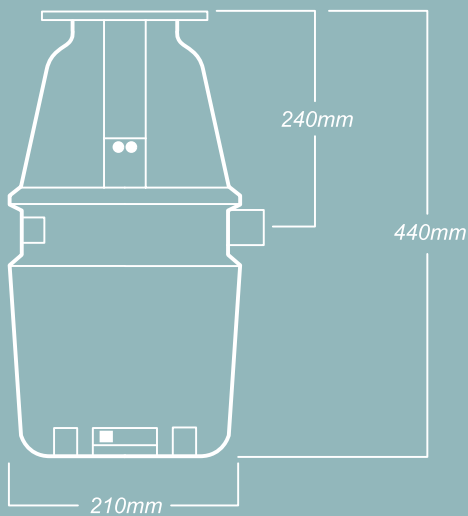


*Stud mounting*



*Cast stainless steel grinding system*

**Reverse Facility**  
**240 Volt AC**  
**Weight 12.35kg**  
**3 Year Warranty**



**Model 5000 STK**  
 Batch Feed Disposer  
 Nett Wight 12.35  
 Packaged Weight 14.40kg

# CONDARI

PTY. LTD.

Distributed in Australia by Condari Pty. Ltd.

**T 1300 360 563**

**Head Office VIC**

T 03 9482 7088

F 03 9482 7011

E sales@condari.com.au

**NSW / ACT**

T 02 9316 4599

F 02 9316 9299

E salesnsw@qasair.com.au

**QLD**

T 07 3423 3503

F 07 3282 9122

E salesqld@qasair.com.au

**SA / NT**

T 1300 360 563

F 03 9482 7011

E salessa@qasair.com.au

**TAS**

T 03 9482 7088

F 03 9482 7011

E sales@qasair.com.au

**WA**

T 08 9242 5387

F 08 9201 0887

E saleswa@qasair.com.au

**New Zealand - Kouzina Appliances**

T + 64 9377 7822

F + 64 9377 7824

E sales@kouzina.co.nz

**Singapore - Eldric Marketing Pte Ltd**

T + 65 6743 8388

F + 65 6743 0202

E enquiry@eldric.sg



Condari Pty. Ltd. reserves the right to change specifications without notice. ® is a registered trademark  
 Printed in Melbourne Australia 06/15

[www.condari.com.au](http://www.condari.com.au)