



AGA RANGEHOOD CUSTOMER SPECIFICATION SHEET

Any variation to the below will mean the hood has to be specially made and will be subject to a quotation. The order will not be confirmed until this form is signed and completed.

MODEL REQUIRED

AGA 1000L-2

DUCT DIRECTION

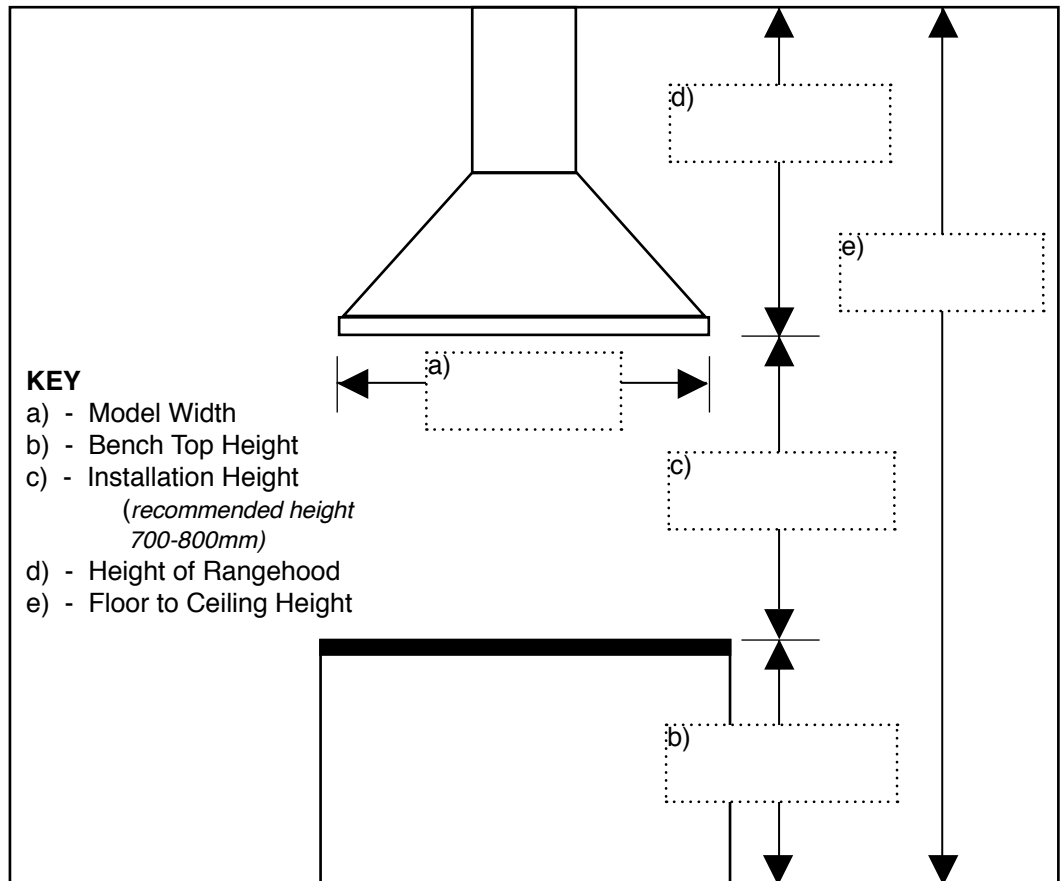
Top Ducted

Back Ducted

FINISH

Stainless Steel

Powderkote
- Colour: _____
- Code: _____



- KEY**
 a) - Model Width
 b) - Bench Top Height
 c) - Installation Height
 (recommended height 700-800mm)
 d) - Height of Rangehood
 e) - Floor to Ceiling Height

MIN STANDARD HEIGHT
480 MM

MAX STANDARD HEIGHT
1660 MM

DATE _____ ORDER NO. _____

COMPANY _____

CONSULTANT _____

TYPE & BRAND OF HOTPLATE _____

DEPTH OF BENCH TOP _____

DATE REQUIRED _____

COMMENTS _____

CUSTOMER SIGNATURE _____