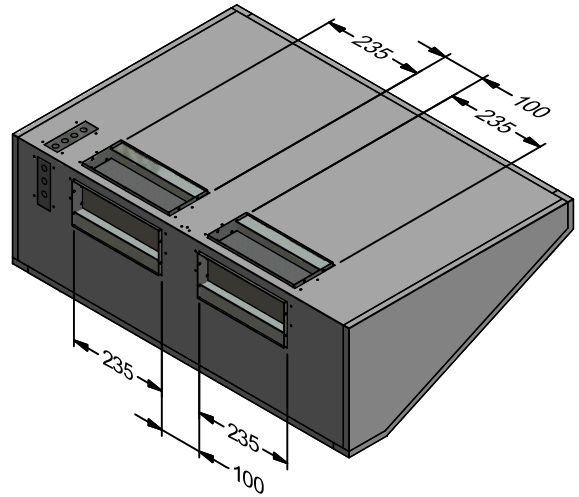
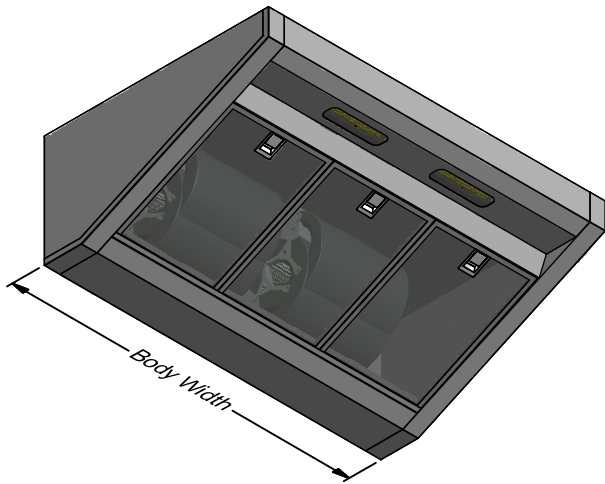
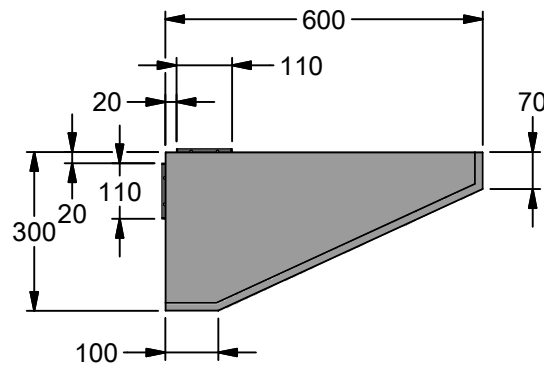
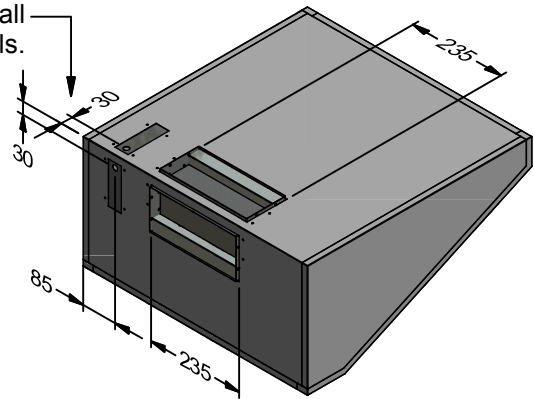
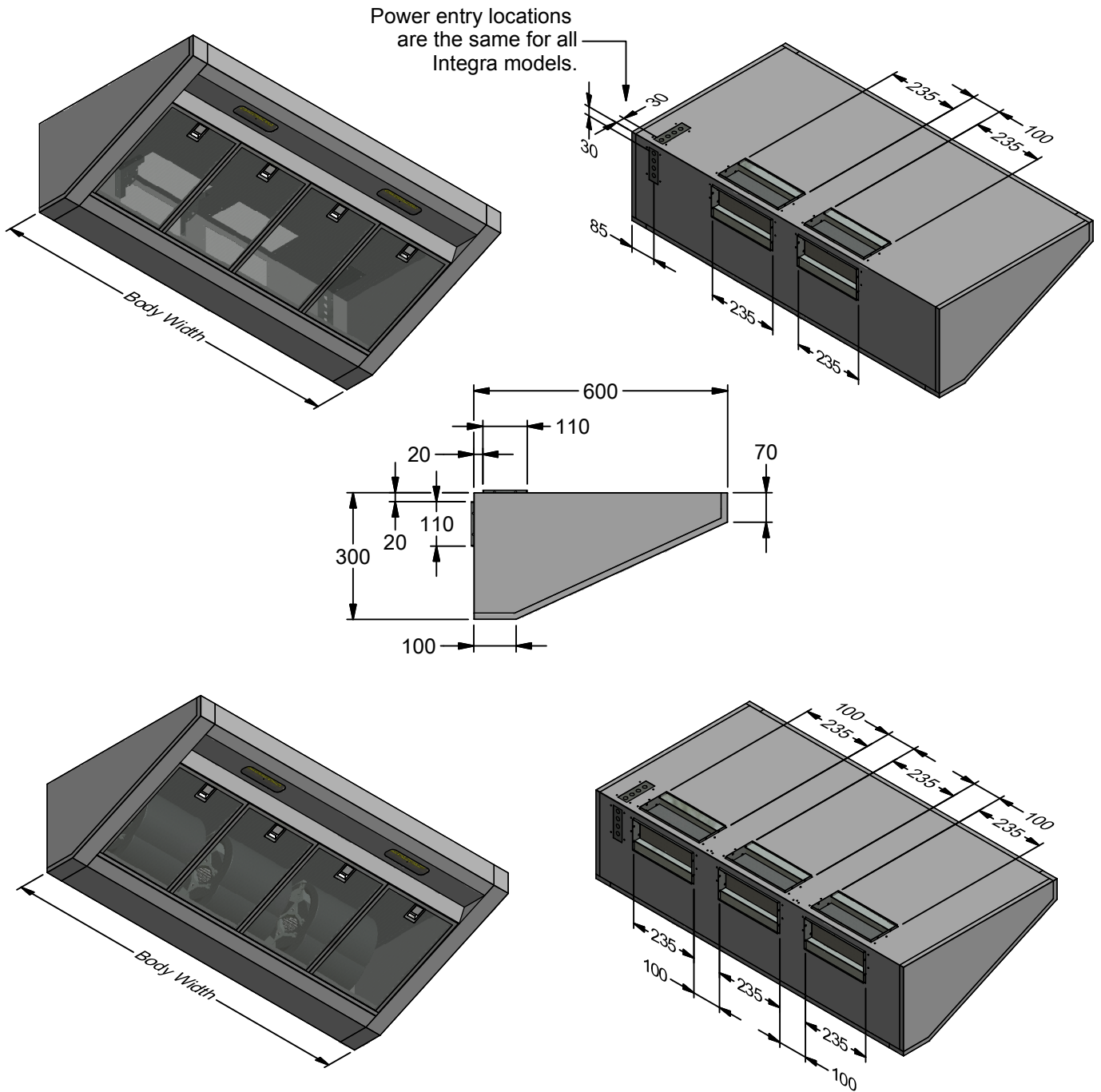


Power entry locations are the same for all Integra models.



Model	IN 600L-1	IN 900L-2	Model	IN 600L-1	IN 900L-2
Body Width	600mm	900mm	Filter Size	272mm x 355mm	272mm x 355mm
Motor Box / Flue Width	N/A	N/A	Conversion Top/Back Back/Top	YES	YES
Motor Qty	1	2	Electrical Connection	Remote Switching	Remote Switching
LED Light	Cool	Cool	Minimum Height (H =)	N/A	N/A
Nightlight	NO	NO	Maximum Height (H =)	N/A	N/A
Light Qty	1	2	PowderKote [®] Available	N/A	N/A
Light Centres	Centre	285mm	All-thread Fixing Centres	N/A	N/A
Filter Qty	2	3	Corner Type	Square	Square
			Condari Pty Ltd.	Version: A 28/11/2014F Page 1 of 2	



Model	IN 1200L-2	IN 1200L-3	Model	IN 1200L-2	IN 1200L-3
Body Width	1200mm	1200mm	Filter Size	272mm x 355mm	272mm x 355mm
Motor Box / Flue Width	N/A	N/A	Conversion Top/Back Back/Top	YES	YES
Motor Qty	2	3	Electrical Connection	Remote Switching	Remote Switching
LED Light	Cool	Cool	Minimum Height (H =)	N/A	N/A
Nightlight	NO	NO	Maximum Height (H =)	N/A	N/A
Light Qty	2	2	PowderKote® Available	N/A	N/A
Light Centres	560mm	560mm	All-thread Fixing Centres	N/A	N/A
Filter Qty	4	4	Corner Type	Square	Square
			Condari Pty Ltd.	Version: A 28/11/2014F Page 2 of 2	