

# IMPORTANT INFORMATION

**CONDARI PTY LTD makes over 120 different models of QASAIR Rangehoods plus many special rangehoods designed by architects and interior designers.**

**It is important to follow the installation instructions.**

There are many different cooking appliances on the Australian market today.

Examples: Electric Ego, ceramic hotplates, teppanyaki plates and Induction hotplates. There are gas hotplates with four burners, a wok burner or fish burner of all different heat output. Many companies offer a vario system with individual two gas burners, a wok burner, electric ceramic hotplate, an electric griller or barbecue and an induction hotplate. There are three gas cooking appliances with an open flame griller or barbecue.

Gas regulations require different heights for different brands of rangehoods. QASAIR rangehoods can be fitted 600 mm above the trivet of a gas hotplate. This is due to the fact they do not have plastic motors or plastic internal parts. Over the open flame gas grillers or gas barbecues the filters must be 1200 mm above the cooking surface. Therefore, a special rangehood is required to comply with the regulations. There are no regulations over an electric hotplate except for those set out by the manufacturer. Above a gas wok burner or electric griller or barbecue they should be 700 mm to 800 mm above.

All decorative rangehoods in the Sapphire, Gallery, Imperial, Argyle, Federation and Heritage range should be 700 mm to 800 mm above the cooking surface. When a rangehood is in a galley or partially enclosed kitchen, the rangehood can be higher at 900 mm to 1000 mm.

For island situations they should not be above 800 mm as movement around the bench will result in fumes being drawn out from the catchment area of the rangehood.

We have a model, the Thermidor which is installed in the ceiling and is higher than the recommendation. This is for aesthetic reasons such as a view or window setting. The rangehood is fitted with three fans to provide the necessary air movement.

The Executive Range can be installed at 600mm above the trivets of a gas hotplate, over an induction cooktop the minimum should be 750mm.

1. The installation of QASAIR Rangehoods must comply with the information in this booklet. QASAIR Rangehoods are designed and made to work efficiently over all domestic cookware available on the Australian market.
2. Every QASAIR Rangehood must be ducted to the outside atmosphere by the use of zinc-alume duct or non-porous and non-flammable materials. **Do not use of any type of flexible ducting or plastic PVC piping.** Rangehoods must not be vented into a wall cavity or a ceiling space. Externally ducting the rangehood prevents a build up of grease, which can be a fire risk. Ensure the external outlet vent does not restrict the airflow in any way, as this may result in reduced performance.
3. QASAIR Rangehoods must be ducted in duct work equivalent to the outlet of the rangehood ie: The cross sectional area of the rangehood outlet and the duct work must be equal. Do not reduce the duct size or have sharp bends. Enlarge the duct size if the duct is to run 6 metres or longer. Advice from CONDARI is available to ensure optimum performance. Always use nonflammable materials to minimise the risk of fire in the duct.
4. Ensure all ducting pieces are correctly fitted and sealed with either duct tape or silicone to ensure that fumes do not escape into the ceiling space and seep into living areas through vents or light fittings. The installation

and fitting of the rangehood should be done in such a way that will allow the unit to be removed if service is required. Additional costs incurred in the removal of wall tiles, damage to walls or bench tops are not covered by warranty.

5. Always adequately ventilate the room when the rangehood is in use at the same time as appliances burning gas or other fuels.
6. **WARNING:** Incorrect venting will result in additional noise and a reduction in efficiency. Exhaust air must not be discharged into any chimney or flue, which may carry combustible products from other sources.
  - a) Do not discharge the air-flow from the rangehood into a flue used for exhausting fumes from burning gas or fuel;
  - b) For cleaning purposes please refer to page 101 of installation instructions for stainless steel;
  - c) If cleaning is not carried out in accordance with the instructions as listed on page 101, there may be an increased risk of fire;
  - d) Some parts of the rangehood may become hot when cooking;
  - e) This appliance is not intended for use by persons (including children) with reduced physical, sensory or mental capabilities, or lack of experience and knowledge, unless they have been given supervision or instruction concerning use of the appliance by a person responsible for their safety.
7. Do not flambé under the rangehood.
8. If the supply cord is damaged, an authorised service centre or licensed electrician must replace it.
9. **NOTE:** CONDARI recommend an air movement of between 1000 to 1400 cubic metres per hour over an indoor barbecue, depending on the length of the duct run. Ensure a twin motor unit is installed over indoor barbecues for optimum results. Barbecues should be positioned under the centre of the hood where the fans are mounted and not near the outer edges where leakage may occur.
10. The lights in the rangehoods are LED and come with a night light except for D400L-1 and SEN400L-1.
11. To reduce the risk of fixing screws coming in contact with live parts, do not drill or screw into the rangehood. Live wires are encapsulated where possible to prevent user contact. If necessary drill from the inside out and only through single sheet material.
12. QASAIR domestic rangehoods are not to be used over barbecues approved for outdoor use only, with a Mega Joule rating of 50mj and over.
13. CONDARI make a range of hoods specifically for outdoor barbecues in alfresco areas under the CONDOR name.
14. CONDARI can manufacture rangehoods to be used over commercial cookers in domestic applications.

## INSTALLATION INSTRUCTIONS

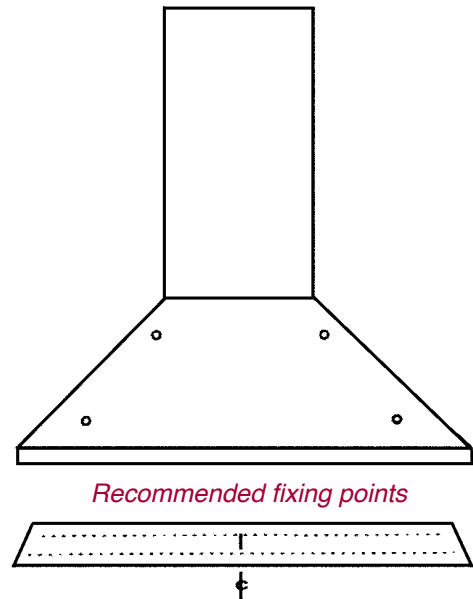
- 3F
- ST
- SEA
- SMF
- CM
- STA / STAR / STF
- IN (REMOTE SWITCHED)

*Installation must be carried out by the procedure outlined.*

*Failure to do so may void the guarantee.*

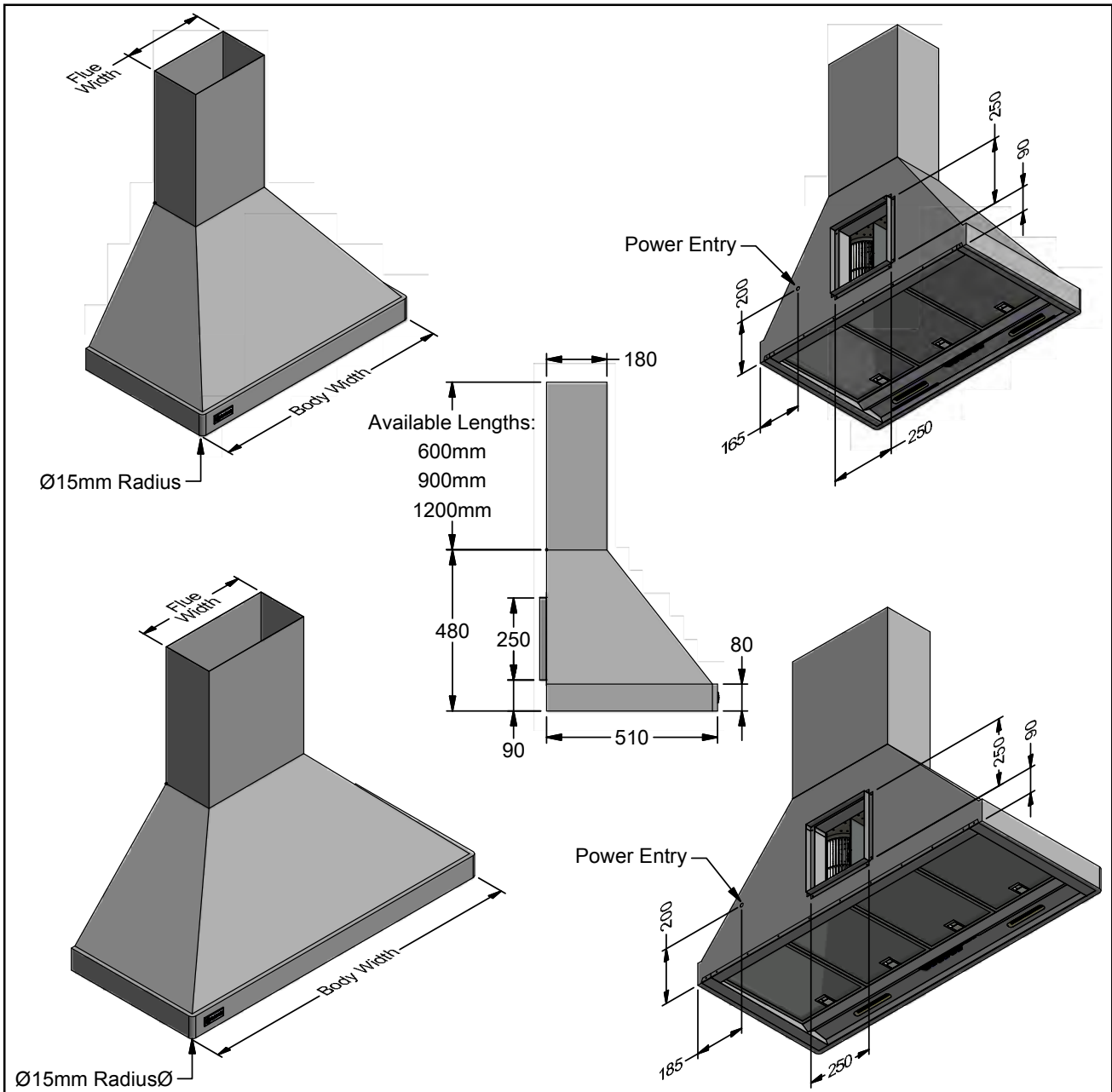
**Electrical:** *Wiring to the appliance must comply with State and local Regulations.*

*Connection to be carried out by a registered electrician.*



1. Prepare wall by marking level line at desired height above cooktop.
2. Plumb line from centre of cooktop to ceiling and mark flue cut out.
3. Mark level line for base of canopy 700-800mm above bench 750mm desirable.
4. Position mounting bracket on wall and fix with four screws.
5. Cut a neat hole through the ceiling and remove any obstructing timbers.
6. Note: Various offsets are available from your QASAIR dealer to duct around any major structural beams which cannot be removed. Ask your QASAIR dealer for advice.
7. In the case of back ducted models, cut a hole in the wall at the desired height.
8. Locate solid fixing point in wall to support hood. If there is no solid fixing point it will have to be placed in the wall before proceeding. QASAIR recommend at least four (4) fixing points.
9. Drill holes in back of unit at suitable fixing points.
10. Drill 20mm hole in the rear of unit for 240 volt power cable as close as possible to junction box or use hole below the junction box.
11. Attach flue (if applicable), then carefully lift into position on level line. Ensure flue is pushed into position and electrical cable is fed into rear of unit.
12. Duct in approved manner to outside atmosphere.

### 3 FLARE - 3F

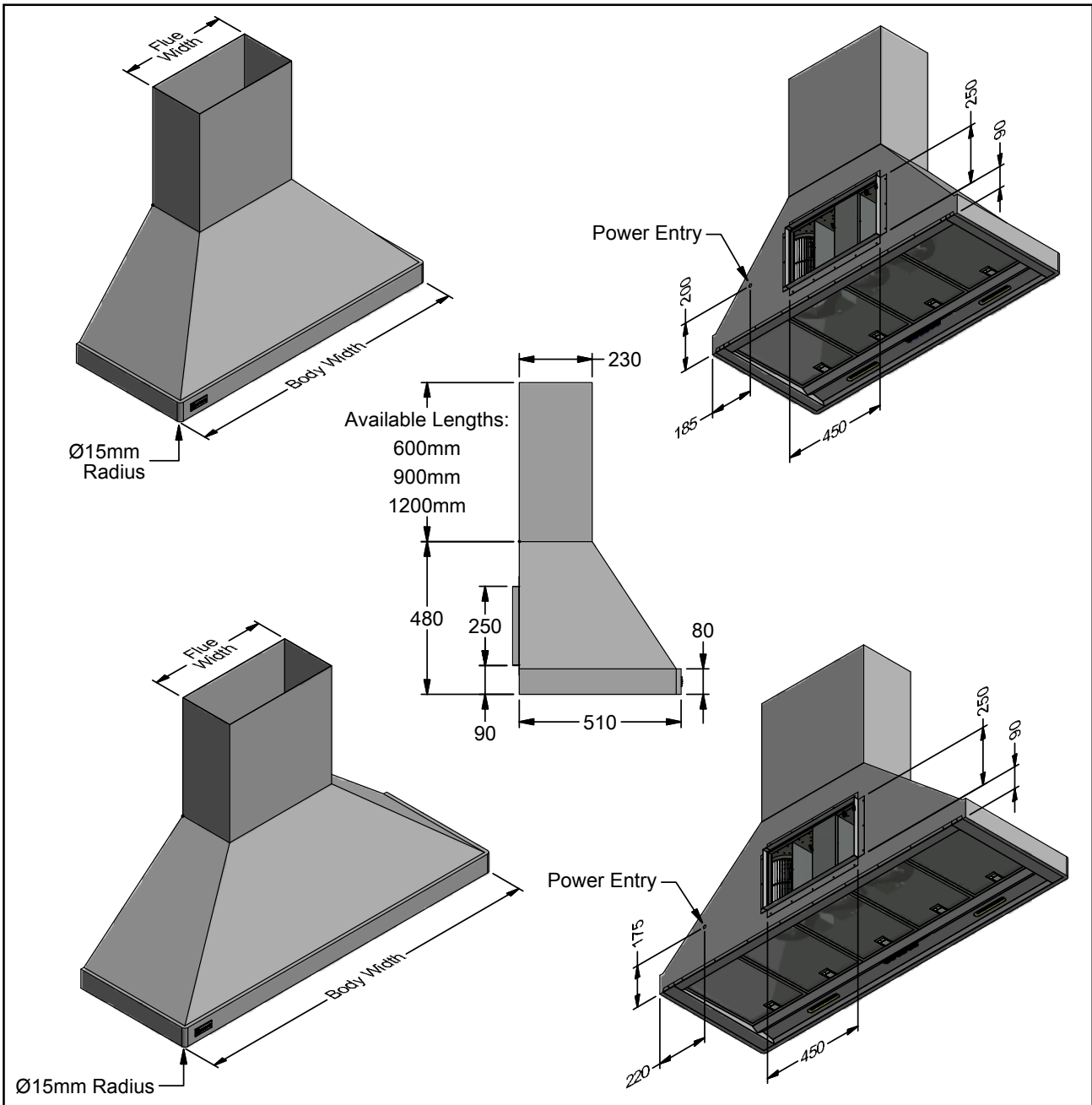


A Transition is supplied to suit standard DL2 ducting.

Flues made to order for back ducted models.

Model	3F 900L-2	3F 1200L-2	Model	3F 900L-2	3F 1200L-2
Body Width	900mm	1200mm	Filter Size	272mm x 355mm	272mm x 355mm
Motor Box / Flue Width	300mm	400mm	Conversion Top/Back Back/Top	NO	NO
Motor Qty	2	2	Electrical Connection	Junction Box	Junction Box
LED Light	Cool	Cool	Minimum Height (H =)	480mm	480mm
Nightlight	YES	YES	Maximum Height (H =)	1680mm	1680mm
Light Qty	2	2	PowderKote® Available	YES	YES
Light Centres	510mm	648mm	All-thread Fixing Centres	N/A	N/A
Filter Qty	3	4	Corner Type	Round	Round
			Condari Pty Ltd.	Version: C 20/01/2015F Page 1 of 2	

### 3 FLARE - 3F

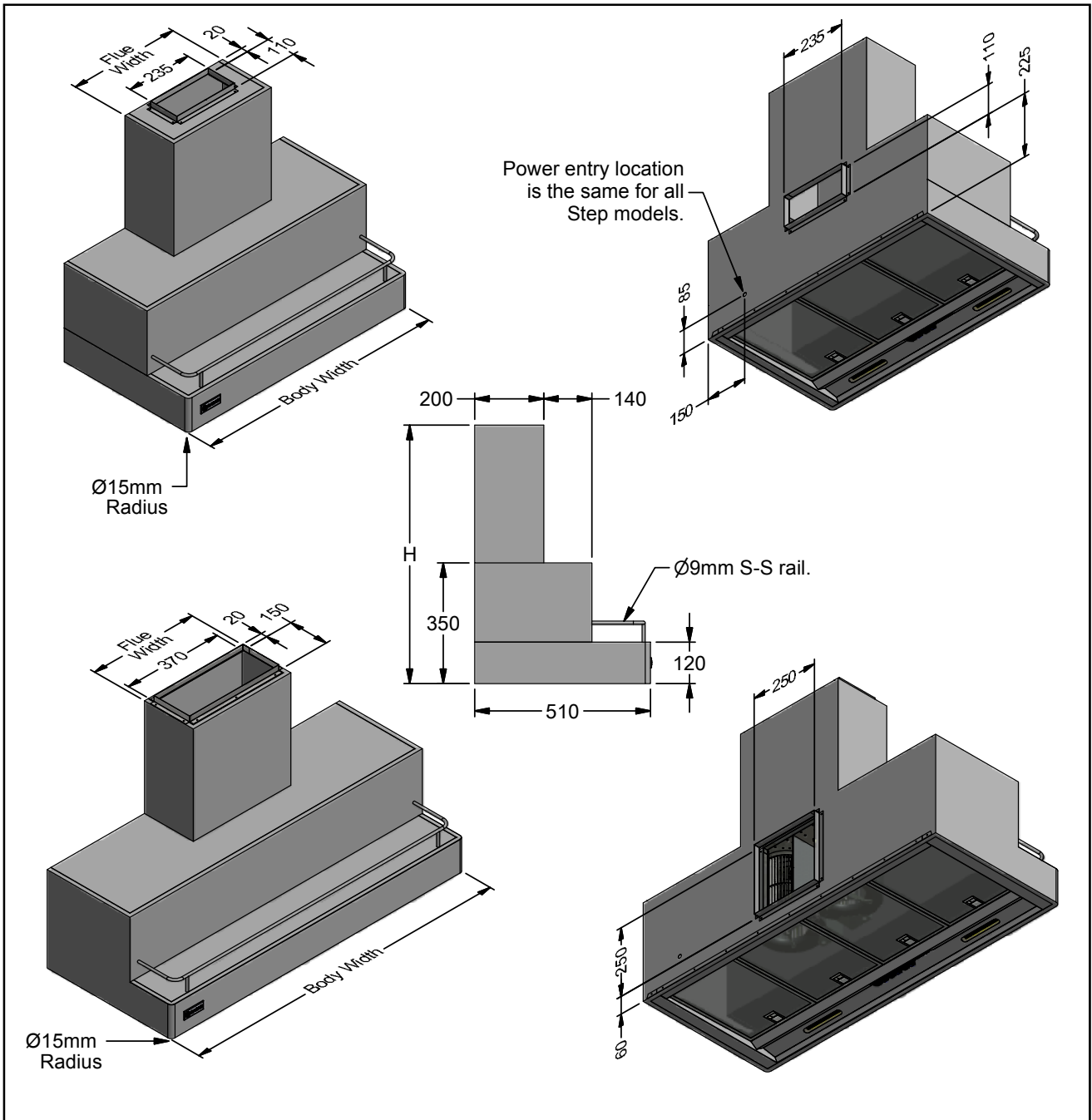


A Transition is supplied to suit standard DL3 ducting.

Flues made to order for back ducted models

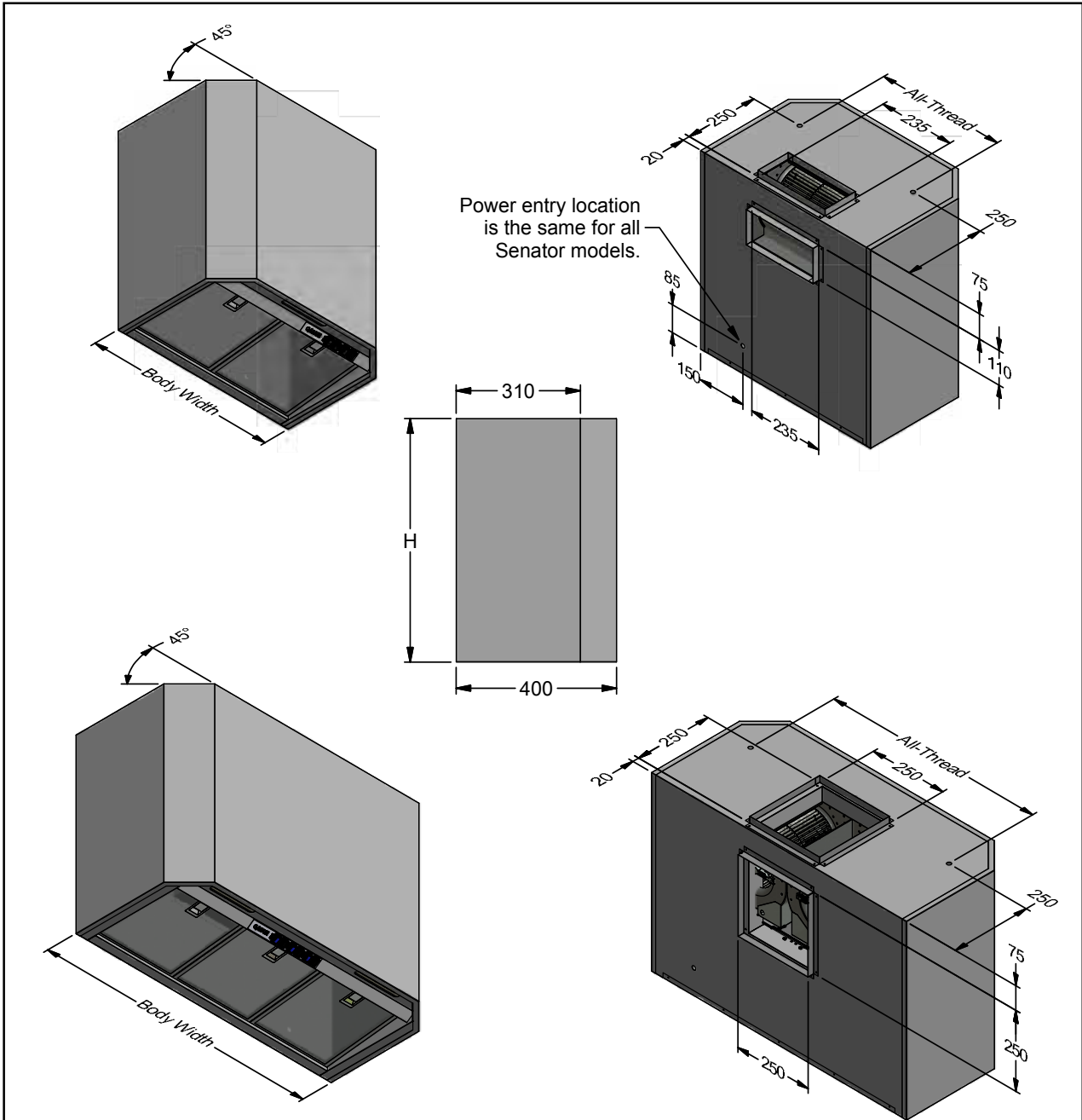
Model	3F 1200L-3	3F 1500L-3	Model	3F 1200L-3	3F 1500L-3
Body Width	1200mm	1500mm	Filter Size	272mm x 355mm	272mm x 355mm
Motor Box / Flue Width	450mm	500mm	Conversion Top/Back Back/Top	NO	NO
Motor Qty	3	3	Electrical Connection	Junction Box	Junction Box
LED Light	Cool	Cool	Minimum Height (H =)	480mm	480mm
Nightlight	YES	YES	Maximum Height (H =)	1680mm	1680mm
Light Qty	2	2	PowderKote® Available	YES	YES
Light Centres	648mm	816mm	All-thread Fixing Centres	N/A	N/A
Filter Qty	4	5	Corner Type	Round	Round
			Condari Pty Ltd. Version: C 20/01/2015F Page 2 of 2		

**STEP - ST**



Model	ST 900L-1	ST 900L-2	ST 1200L-2	Model	ST 900L-1	ST 900L-2	ST 1200L-2
Body Width	900mm	900mm	1200mm	Filter Size	272mm x 355mm	272mm x 355mm	272mm x 355mm
Motor Box / Flue Width	400mm	400mm	400mm	Conversion Top/Back Back/Top	NO	NO	NO
Motor Qty	1	2	2	Electrical Connection	Junction Box	Junction Box	Junction Box
LED Light	Cool	Cool	Cool	Minimum Height (H =)	Back Ducted 350mm Top Ducted 450mm	Back Ducted 350mm Top Ducted 450mm	Back Ducted 350mm Top Ducted 450mm
Nightlight	YES	YES	YES	Maximum Height (H =)	1530mm	1530mm	1530mm
Light Qty	2	2	2	PowderKote® Available	YES	YES	YES
Light Centres	510mm	510mm	648mm	All-thread Fixing Centres	N/A	N/A	N/A
Filter Qty	3	3	4	Corner Type	Round	Round	Round
				Condari Pty Ltd.	Version: C 20/01/2015F	Page 1 of 1	

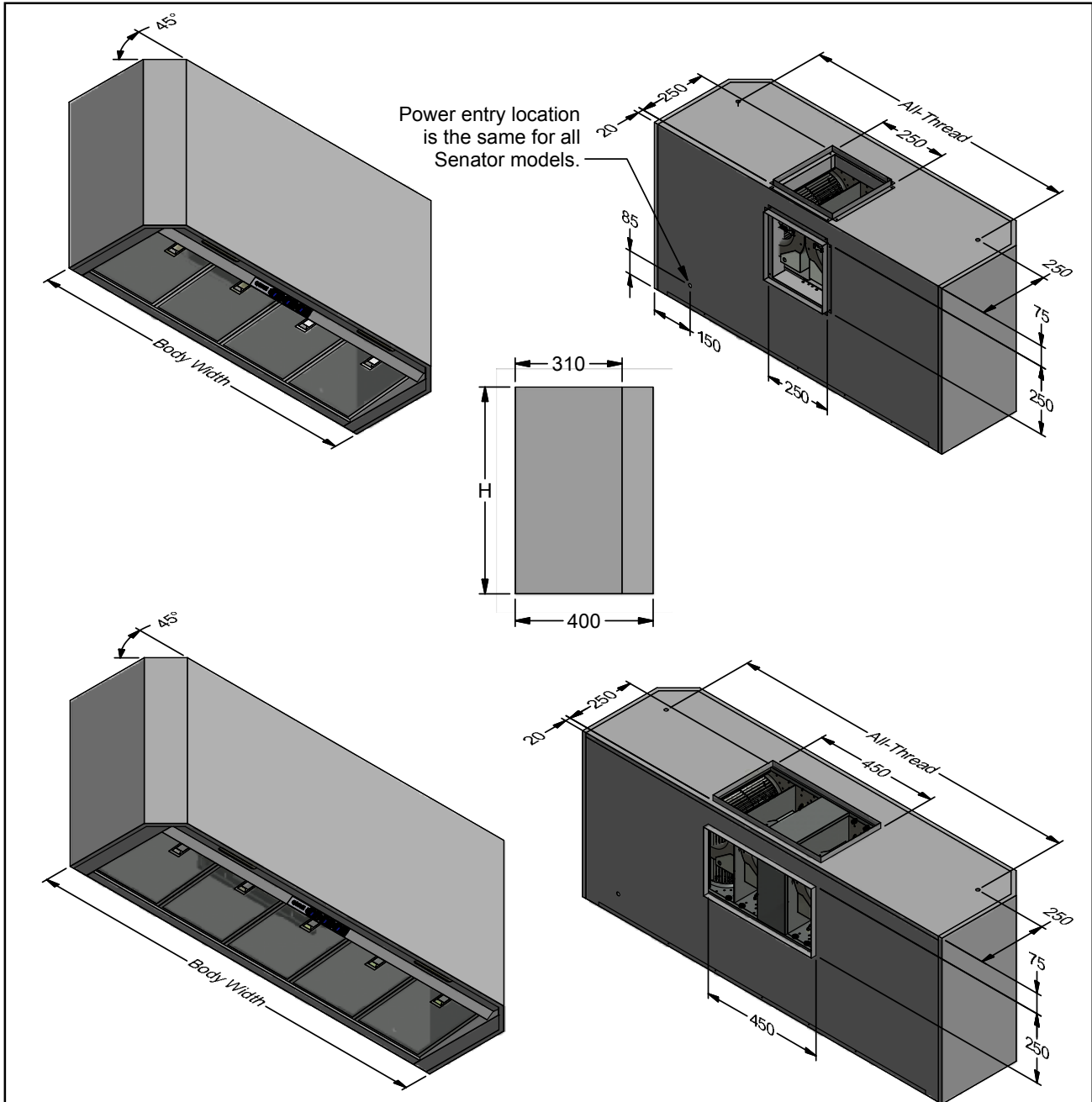
### SENATOR - SEA



All-Thread rods are supplied for extra support.

Model	SEA 600L-1	SEA 900L-1	SEA 900L-2	Model	SEA 600L-1	SEA 900L-1	SEA 900L-2
Body Width	600mm	900mm	900mm	Filter Size	272mm x 272mm	272mm x 272mm	272mm x 272mm
Motor Box / Flue Width	N/A	N/A	N/A	Conversion Top/Back Back/Top	NO	NO	NO
Motor Qty	1	1	2	Electrical Connection	Junction Box	Junction Box	Junction Box
LED Light	Cool	Cool	Cool	Minimum Height (H =)	400mm	400mm	400mm
Nightlight	YES	YES	YES	Maximum Height (H =)	1450mm	1450mm	1450mm
Light Qty	1	2	2	PowderKote® Available	YES	YES	YES
Light Centres	Centre	510mm	510mm	All-thread Fixing Centres	400mm	700mm	700mm
Filter Qty	2	3	3	Corner Type	Square	Square	Square
				Condari Pty Ltd.	Version: C 20/01/2015F	Page 1 of 2	

### SENATOR - SEA

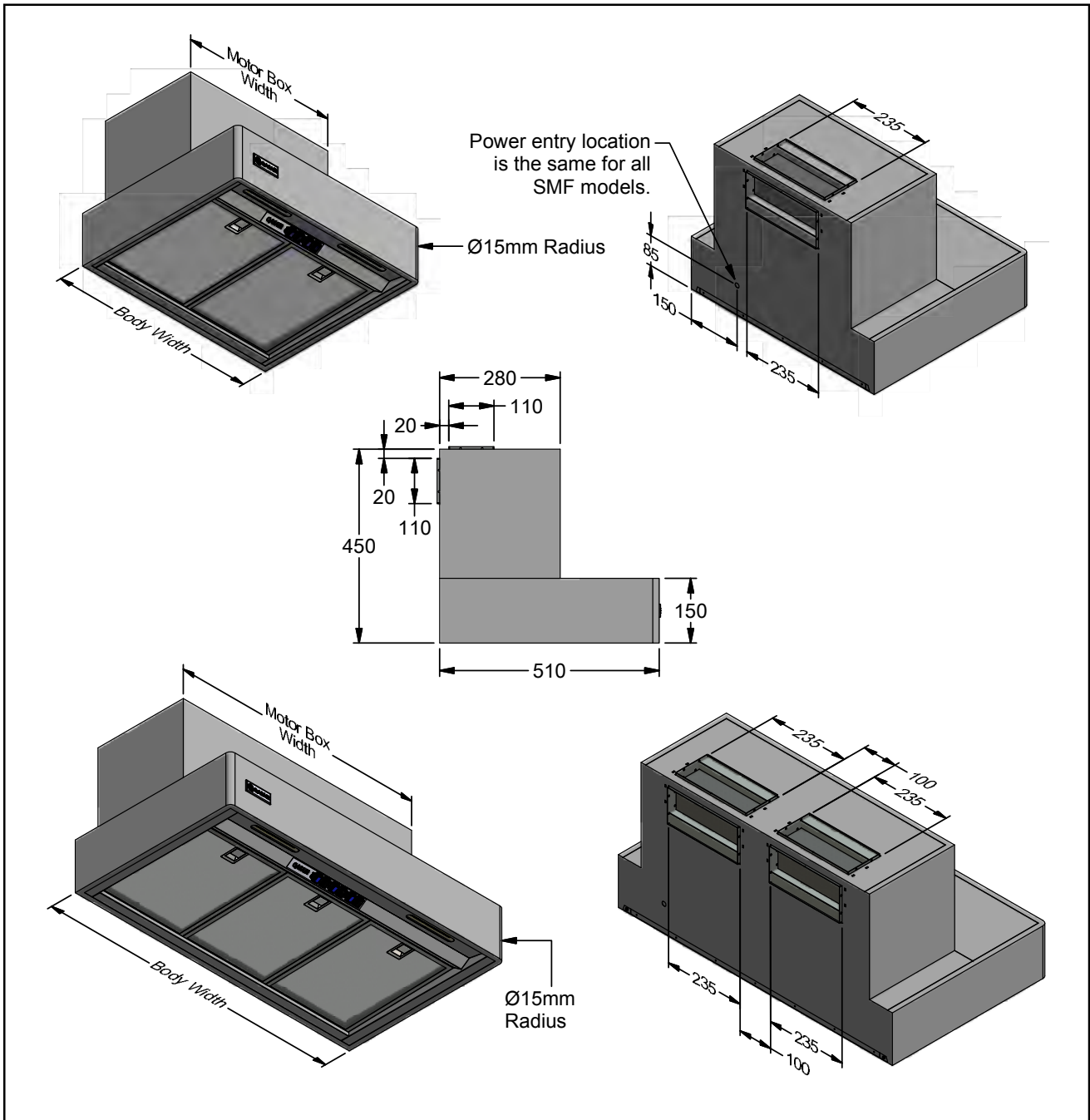


All-Thread rods are supplied for extra support.

Model	SEA 1200L-2	SEA 1500L-2	SEA 1500L-3	Model	SEA 1200L-2	SEA 1500L-2	SEA 1500L-3
Body Width	1200mm	1500mm	1500mm	Filter Size	272mm x 272mm	272mm x 272mm	272mm x 272mm
Motor Box / Flue Width	N/A	N/A	N/A	Conversion Top/Back Back/Top	NO	NO	NO
Motor Qty	2	2	3	Electrical Connection	Junction Box	Junction Box	Junction Box
LED Light	Cool	Cool	Cool	Minimum Height (H =)	400mm	400mm	400mm
Nightlight	YES	YES	YES	Maximum Height (H =)	1450mm	1450mm	1450mm
Light Qty	2	2	2	PowderKote® Available	YES	YES	YES
Light Centres	648mm	816mm	816mm	All-thread Fixing Centres	1000mm	1300mm	1300mm
Filter Qty	4	5	5	Corner Type	Square	Square	Square
				Condari Pty Ltd.	Version: C 20/01/2015F	Page 2 of 2	

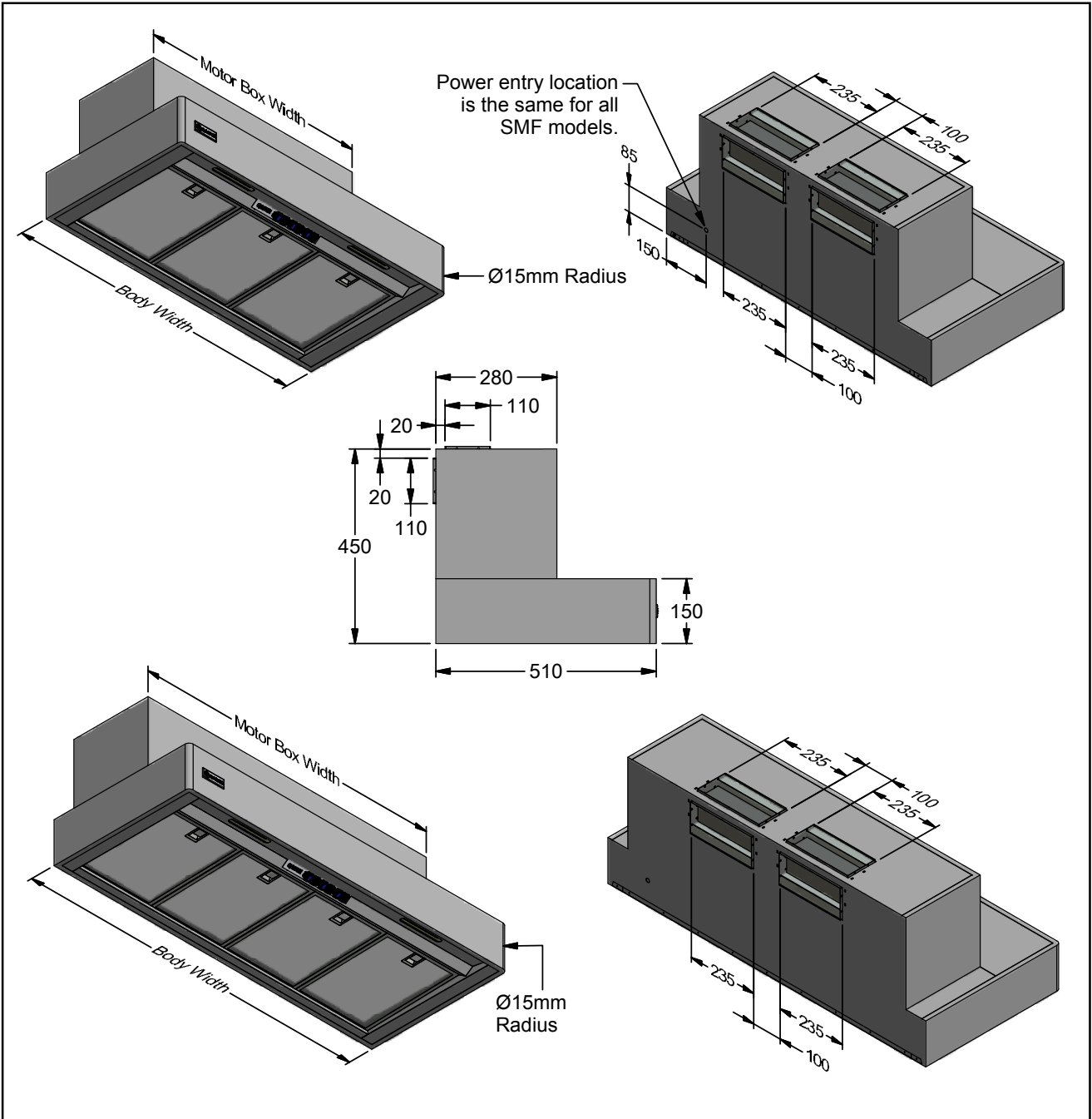


### MAITLAND - SMF

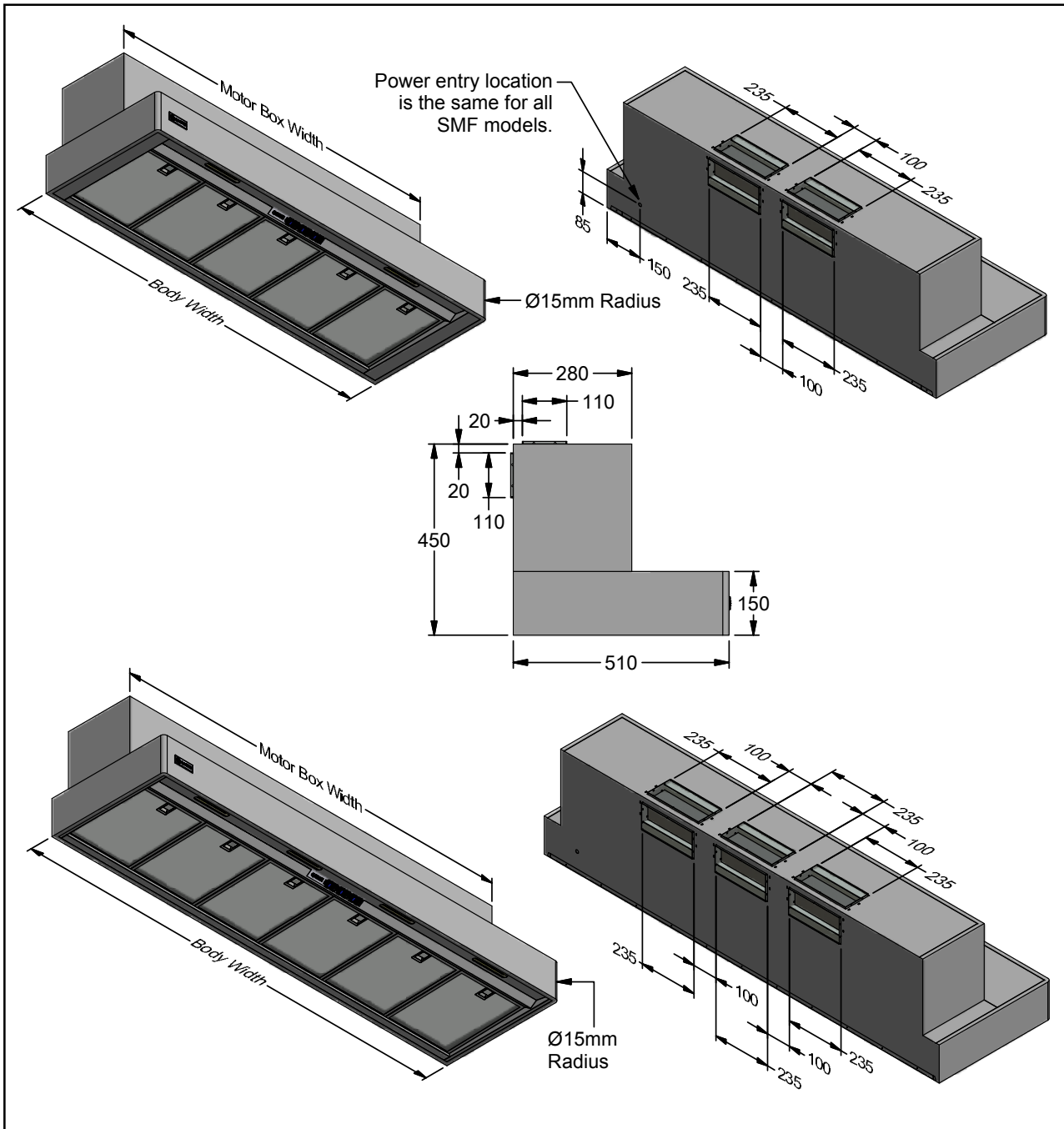


Model	SMF 600L-1	SMF 900L-1	SMF 900L-2	Model	SMF 600L-1	SMF 900L-1	SMF 900L-2
Body Width	600mm	900mm	900mm	Filter Size	272mm x 355mm	272mm x 355mm	272mm x 355mm
Motor Box / Flue Width	450mm	750mm	750mm	Conversion Top/Back Back/Top	YES	YES	YES
Motor Qty	1	1	2	Electrical Connection	Junction Box	Junction Box	Junction Box
LED Light	Cool	Cool	Cool	Minimum Height (H =)	N/A	N/A	N/A
Nightlight	YES	YES	YES	Maximum Height (H =)	N/A	N/A	N/A
Light Qty	2	2	2	PowderKote® Available All-thread Fixing Centres	YES	YES	YES
Light Centres	310mm	510mm	510mm	Corner Type	Round	Round	Round
Filter Qty	2	3	3				
				Condari Pty Ltd.	Version: C 20/01/2015F	Page 1 of 4	

### MAITLAND - SMF

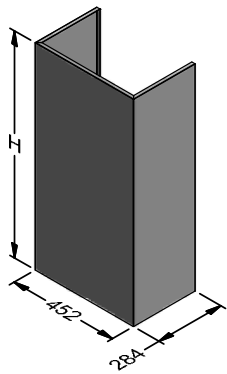


Model	SMF 1000L-2	SMF 1200L-2	Model	SMF 1000L-2	SMF 1200L-2
Body Width	1000mm	1200mm	Filter Size	290mm x 355mm	272mm x 355mm
Motor Box / Flue Width	850mm	1050mm	Conversion Top/Back Back/Top	YES	YES
Motor Qty	2	2	Electrical Connection	Junction Box	Junction Box
LED Light	Cool	Cool	Minimum Height (H =)	N/A	N/A
Nightlight	YES	YES	Maximum Height (H =)	N/A	N/A
Light Qty	2	2	PowderKote® Available	YES	YES
Light Centres	510mm	648mm	All-thread Fixing Centres	N/A	N/A
Filter Qty	3	4	Corner Type	Round	Round
			Condari Pty Ltd.	Version: C 20/01/2015F Page 2 of 4	

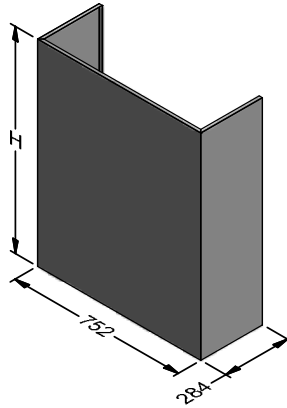
**MAITLAND - SMF**


Model	SMF 1500L-2	SMF 1500L-3	SMF 1800L-3	Model	SMF 1500L-2	SMF 1500L-3	SMF 1800L-3
Body Width	1500mm	1500mm	1800mm	Filter Size	272mm x 355mm	272mm x 355mm	290mm x 355mm
Motor Box / Flue Width	1350mm	1350mm	1650mm	Conversion Top/Back Back/Top	YES	YES	YES
Motor Qty	2	3	3	Electrical Connection	Junction Box	Junction Box	Junction Box
LED Light	Cool	Cool	Cool	Minimum Height (H =)	N/A	N/A	N/A
Nightlight	YES	YES	YES	Maximum Height (H =)	N/A	N/A	N/A
Light Qty	2	2	4	PowderKote® Available	YES	YES	YES
Light Centres	816mm	816mm	422mm	All-thread Fixing Centres	N/A	N/A	N/A
Filter Qty	5	5	6	Corner Type	Round	Round	Round
				Condari Pty Ltd.	Version: C 20/01/2015F	Page 3 of 4	

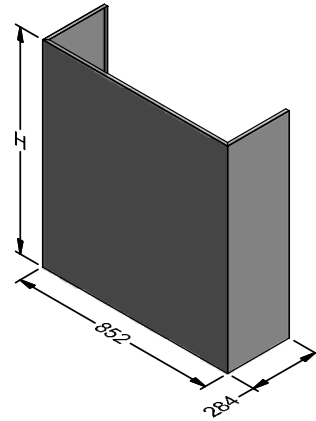
**MAITLAND - SMF**



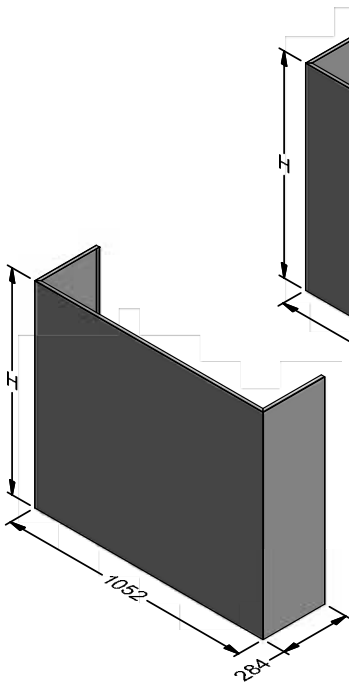
SMF 600L-1 SHROUD



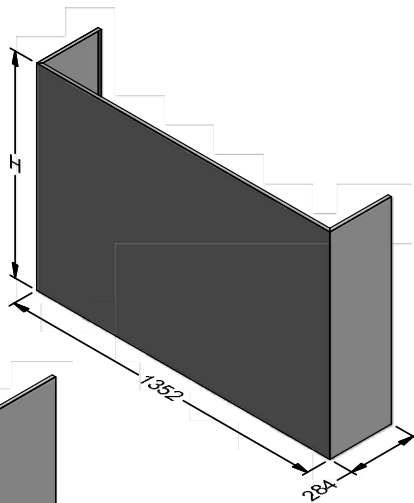
SMF 900L-1 SHROUD  
SMF 900L-2 SHROUD



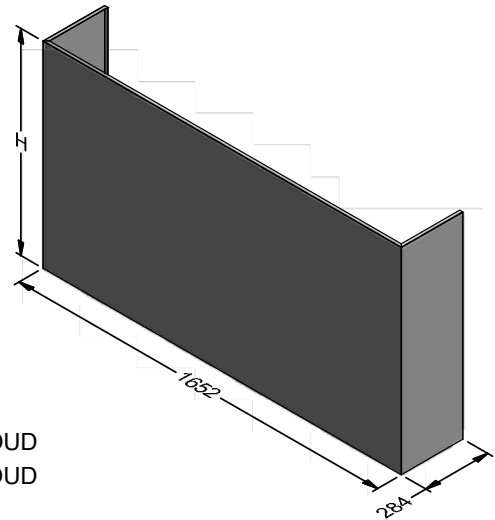
SMF 1000L-2 SHROUD



SMF 1200L-2 SHROUD



SMF 1500L-2 SHROUD  
SMF 1500L-3 SHROUD



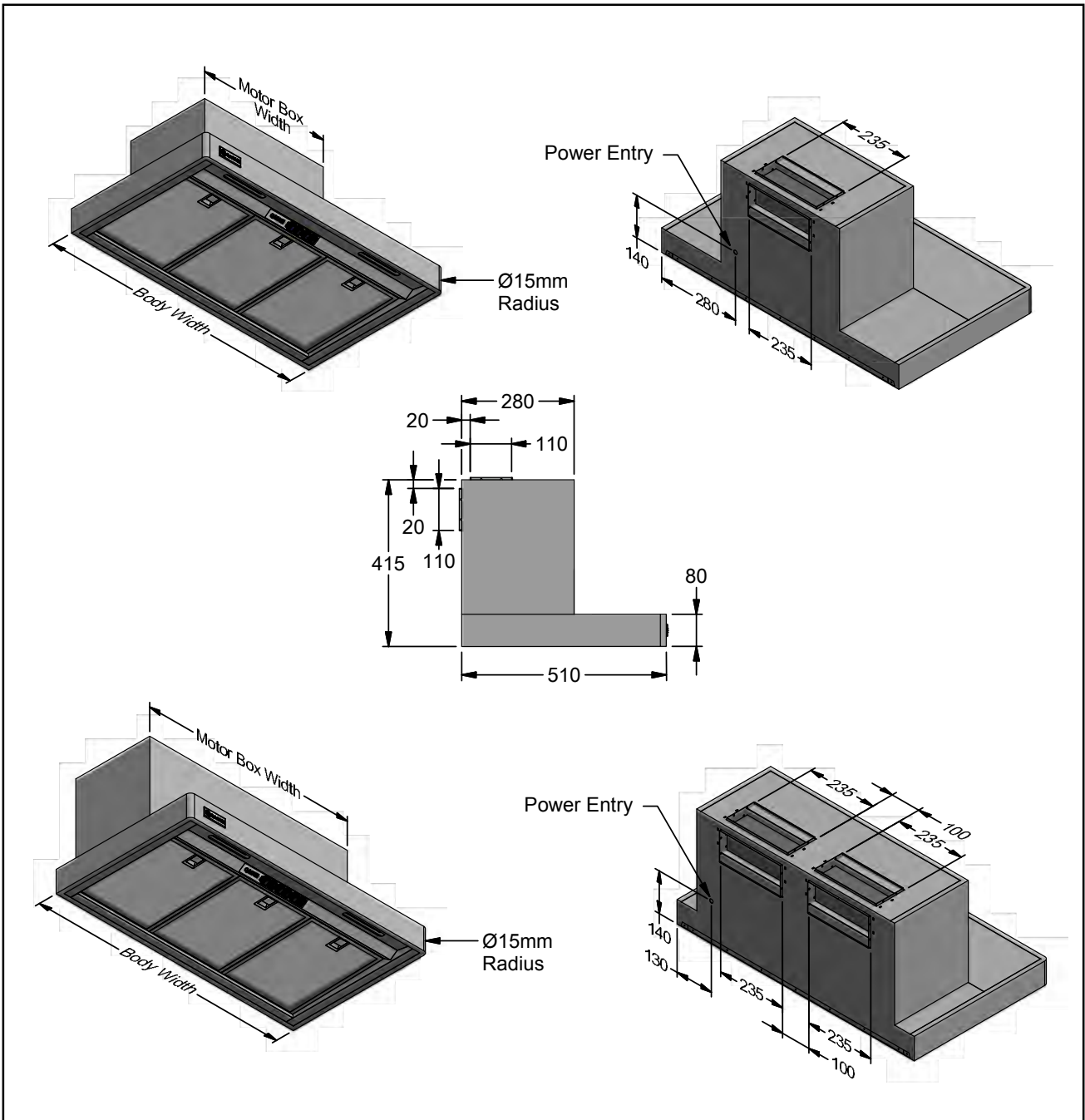
SMF 1800L-3 SHROUD

Model	SMF 600L-1 SHROUD	SMF 900L-1 SHROUD	SMF 900L-2 SHROUD	SMF 1000L-2 SHROUD	SMF 1200L-2 SHROUD	SMF 1500L-2 SHROUD	SMF 1500L-3 SHROUD	SMF 1800L-3 SHROUD
Minimum Height (H =)	300mm	300mm	300mm	300mm	300mm	300mm	300mm	300mm
Maximum Height (H =)	1450mm	1450mm	1450mm	1450mm	1450mm	1450mm	1450mm	1450mm
Powderkote® Available	YES	YES	YES	YES	YES	YES	YES	YES

Condari Pty Ltd.

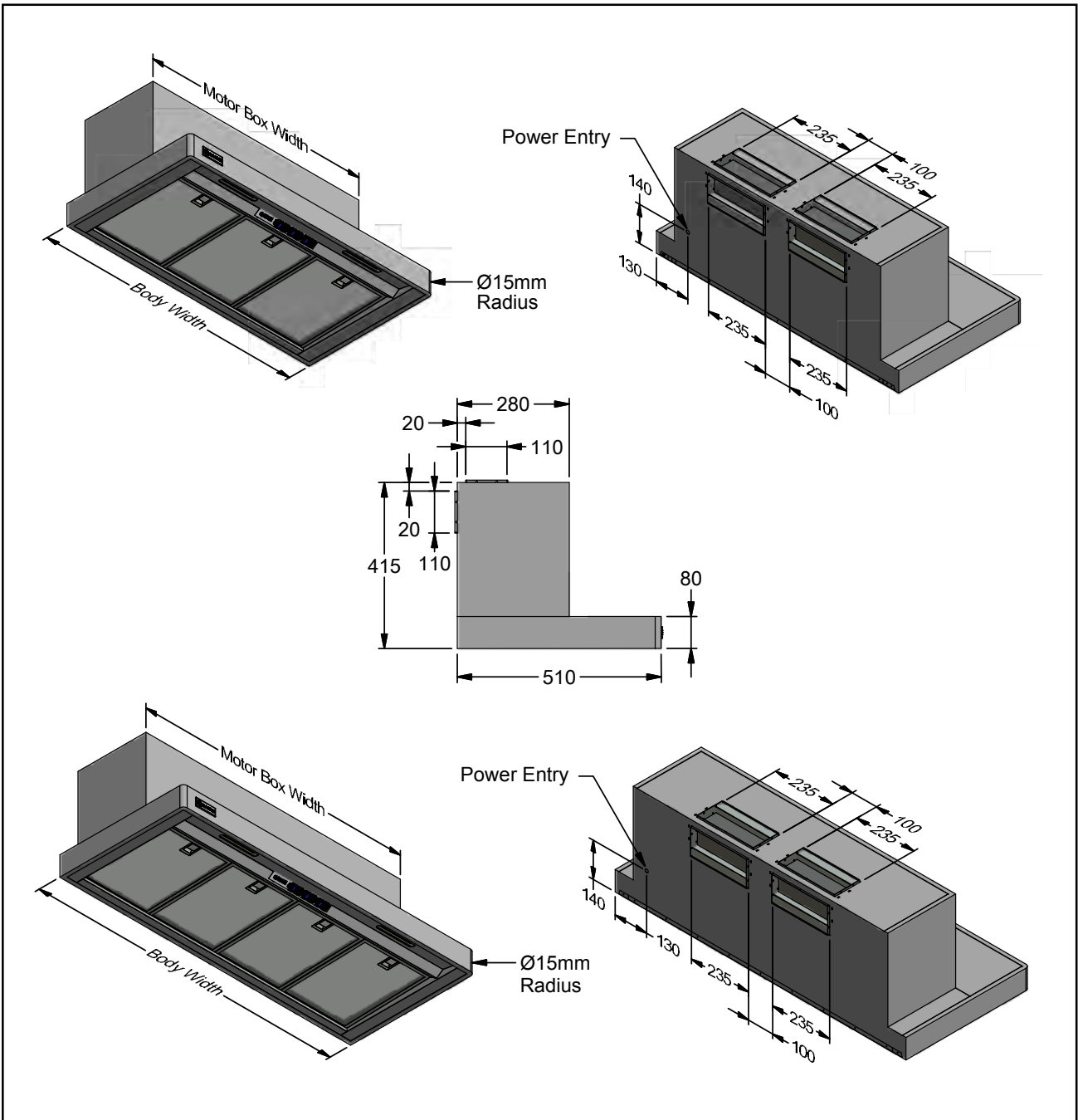
Version: C 20/01/2015F Page 4 of 4

### COMPACT - CM

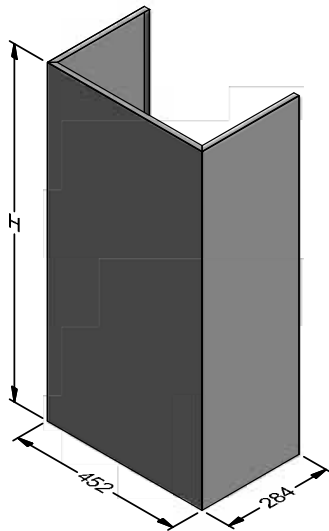


Model	CM 900L-1	CM 900L-2	Model	CM 900L-1	CM 900L-2
Body Width	900mm	900mm	Filter Size	272mm x 355mm	272mm x 355mm
Motor Box / Flue Width	450mm	750mm	Conversion Top/Back Back/Top	YES	YES
Motor Qty	1	2	Electrical Connection	Junction Box	Junction Box
LED Light	Cool	Cool	Minimum Height (H =)	N/A	N/A
Nightlight	YES	YES	Maximum Height (H =)	N/A	N/A
Light Qty	2	2	PowderKote® Available	YES	YES
Light Centres	510mm	510mm	All-thread Fixing Centres	N/A	N/A
Filter Qty	3	3	Corner Type	Round	Round
			Condari Pty Ltd.	Version: C 20/01/2015F Page 1 of 3	

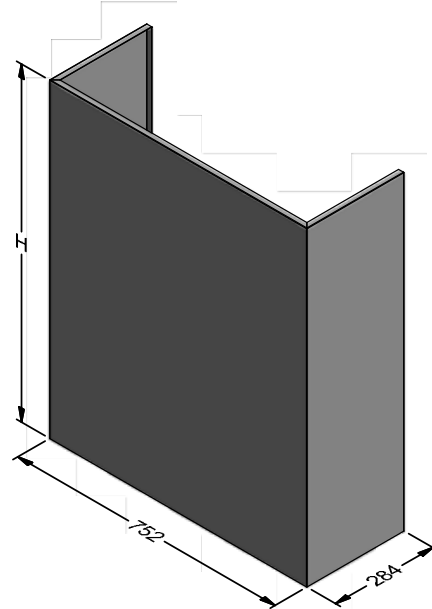
**COMPACT - CM**



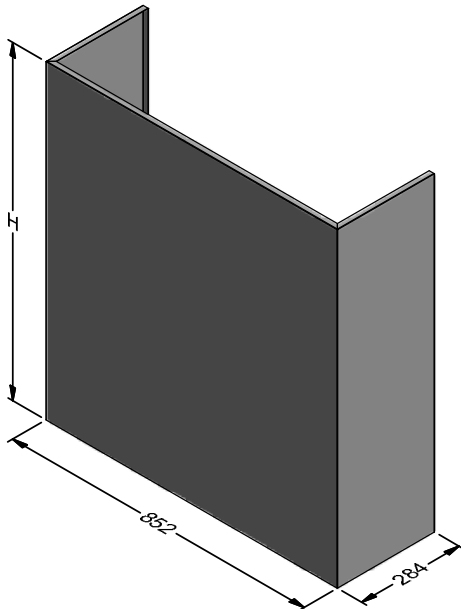
Model	CM 1000L-2	CM 1200L-2	Model	CM 1000L-2	CM 1200L-2
Body Width	1000mm	1200mm	Filter Size	290mm x 355mm	272mm x 355mm
Motor Box / Flue Width	850mm	1050mm	Conversion Top/Back Back/Top	YES	YES
Motor Qty	2	2	Electrical Connection	Junction Box	Junction Box
LED Light	Cool	Cool	Minimum Height (H =)	N/A	N/A
Nightlight	YES	YES	Maximum Height (H =)	N/A	N/A
Light Qty	2	2	PowderKote® Available	YES	YES
Light Centres	510mm	648mm	All-thread Fixing Centres	N/A	N/A
Filter Qty	3	4	Corner Type	Round	Round
			Condari Pty Ltd.	Version: C 20/01/2015F Page 2 of 3	

**COMPACT - CM**


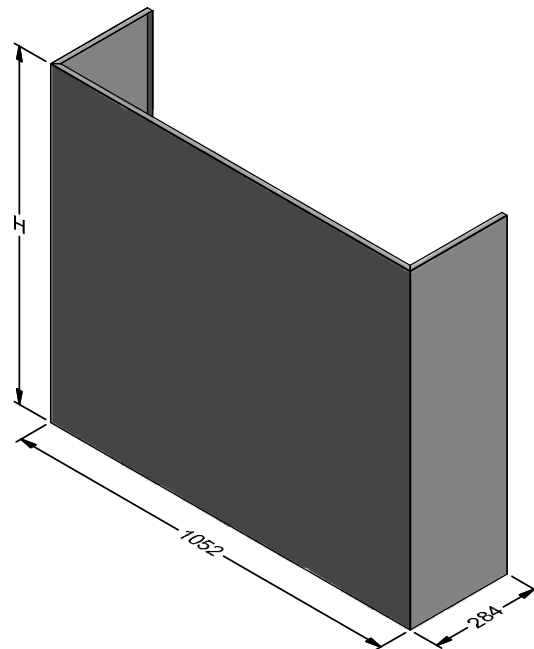
CM 900L-1 SHROUD



CM 900L-2 SHROUD



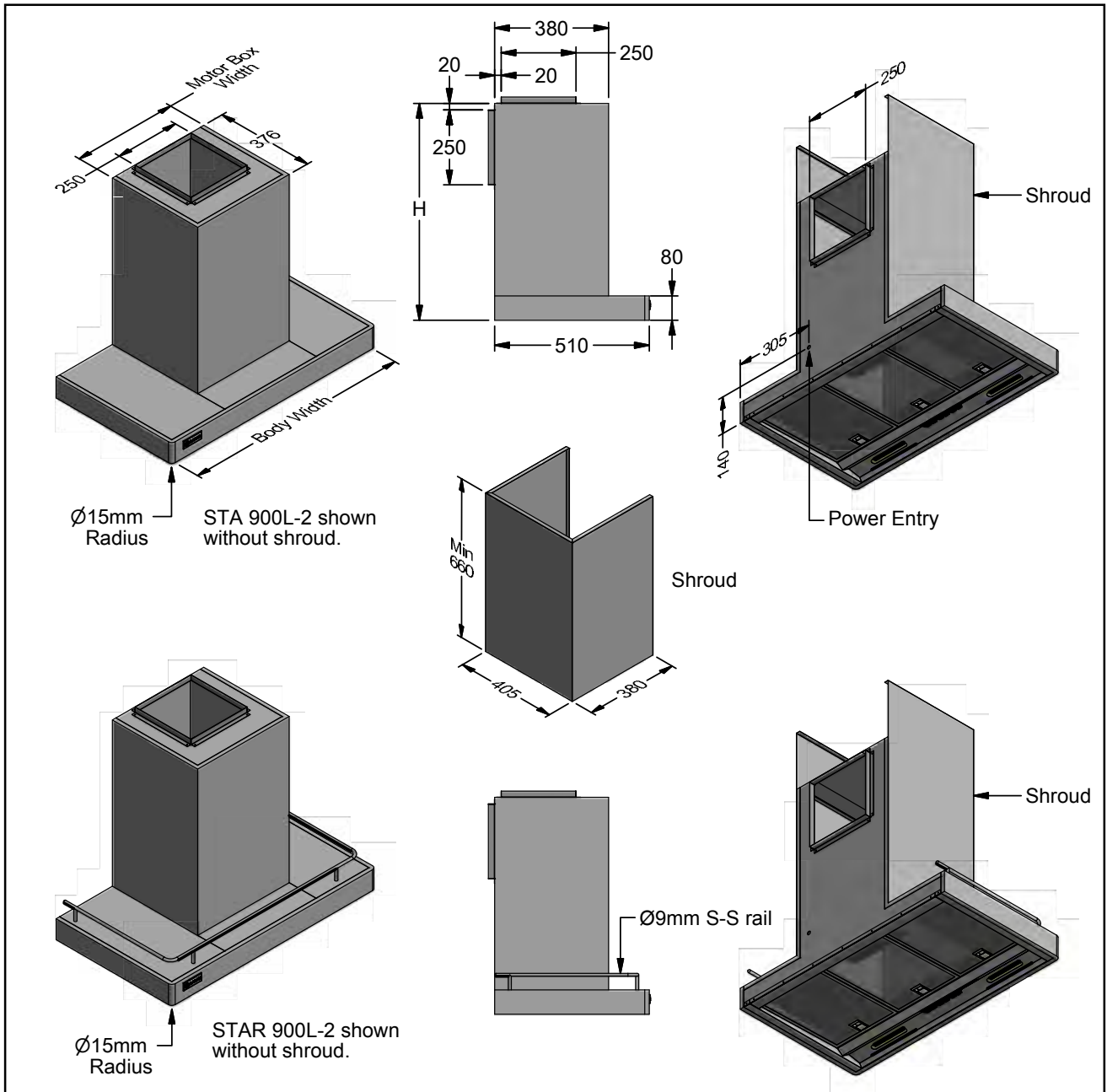
CM 1000L-2 SHROUD



CM 1200L-2 SHROUD

Model	CM 900L-1 SHROUD	CM 900L-2 SHROUD	CM 1000L-2 SHROUD	CM 1200L-2 SHROUD
Minimum Height (H =)	335mm	335mm	335mm	335mm
Maximum Height (H =)	1450mm	1450mm	1450mm	1450mm
Powderkote <sup>®</sup> Available	YES	YES	YES	YES

### STATESMAN - STA/STAR

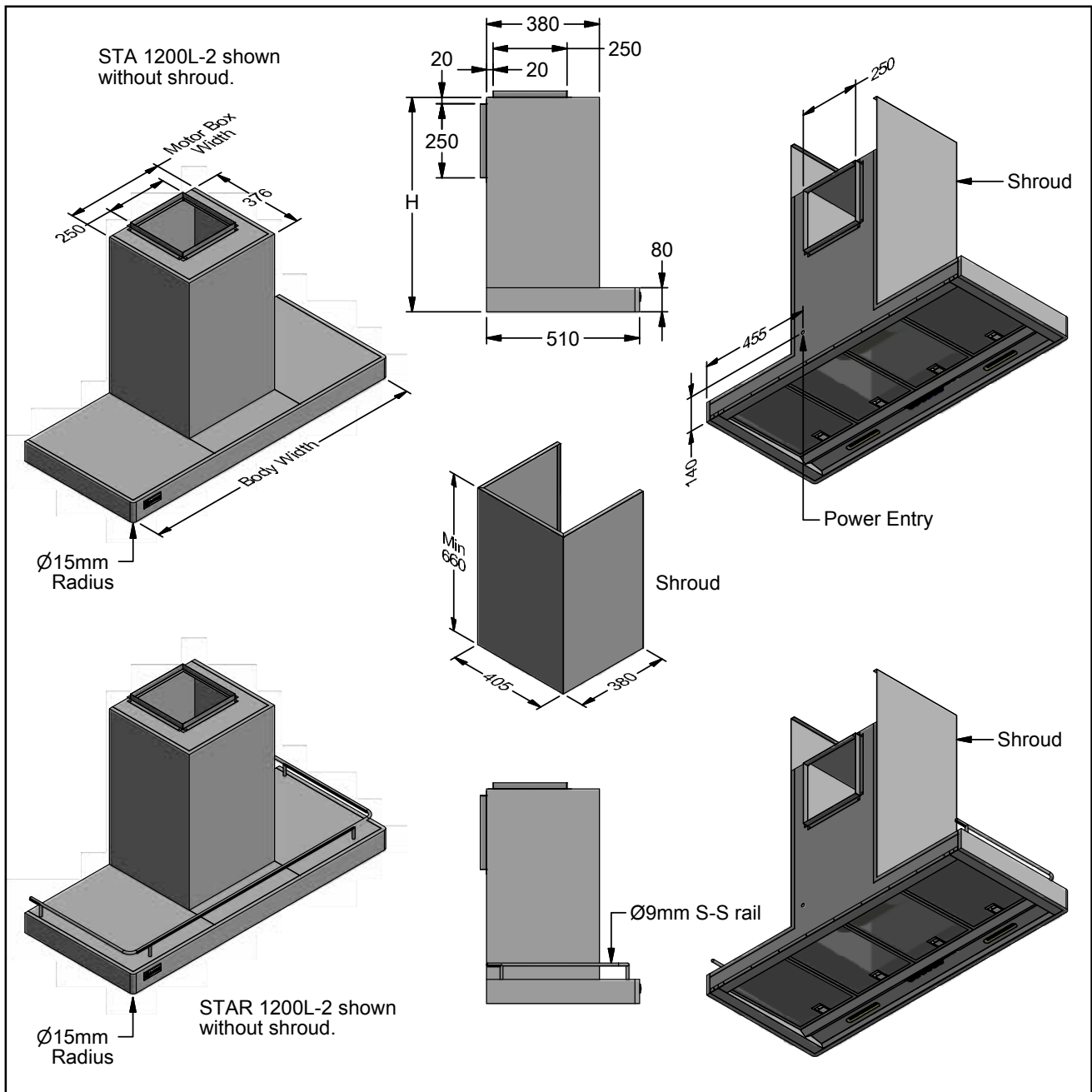


Rangehood is manufactured as top duct only. A conversion kit for back ducted is supplied.

Model	STA 900L-2	STAR 900L-2 W/Rail	Model	STA 900L-2	STAR 900L-2 W/Rail
Body Width	900mm	900mm	Filter Size	272mm x 355mm	272mm x 355mm
Motor Box / Flue Width	403mm	403mm	Conversion Top/Back Back/Top	YES	YES
Motor Qty	2	2	Electrical Connection	Junction Box	Junction Box
LED Light	Cool	Cool	Minimum Height (H =)	740mm	740mm
Nightlight	YES	YES	Maximum Height (H =)	1550mm	1550mm
Light Qty	2	2	PowderKote® Available	YES	YES
Light Centres	510mm	510mm	All-thread Fixing Centres	N/A	N/A
Filter Qty	3	3	Corner Type	Round	Round
			Condari Pty Ltd.	Version: C 20/01/2015F Page 1 of 2	



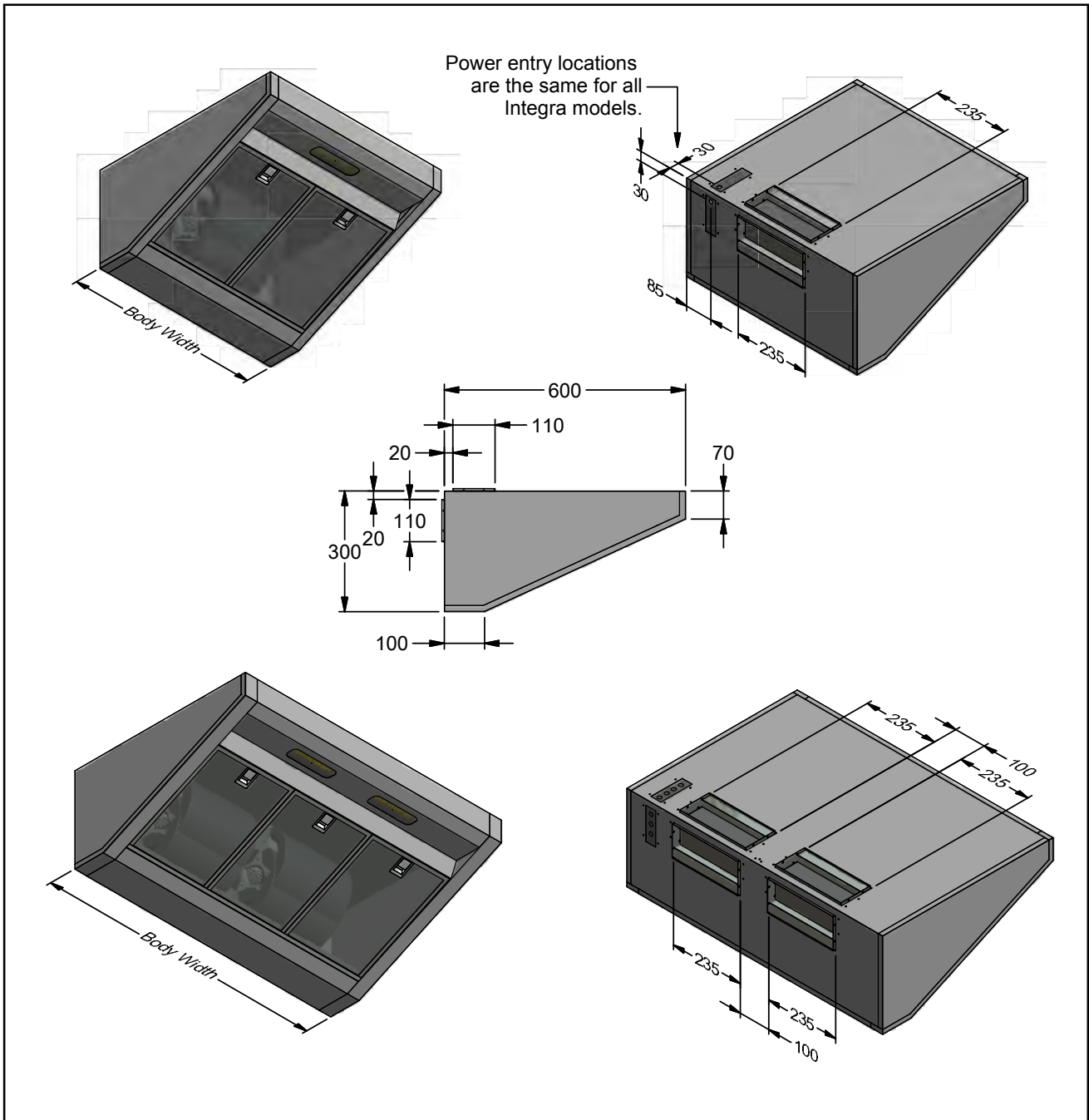
### STATESMAN - STA/STAR



Rangehood is manufactured as top duct only. A conversion kit for back ducted is supplied.

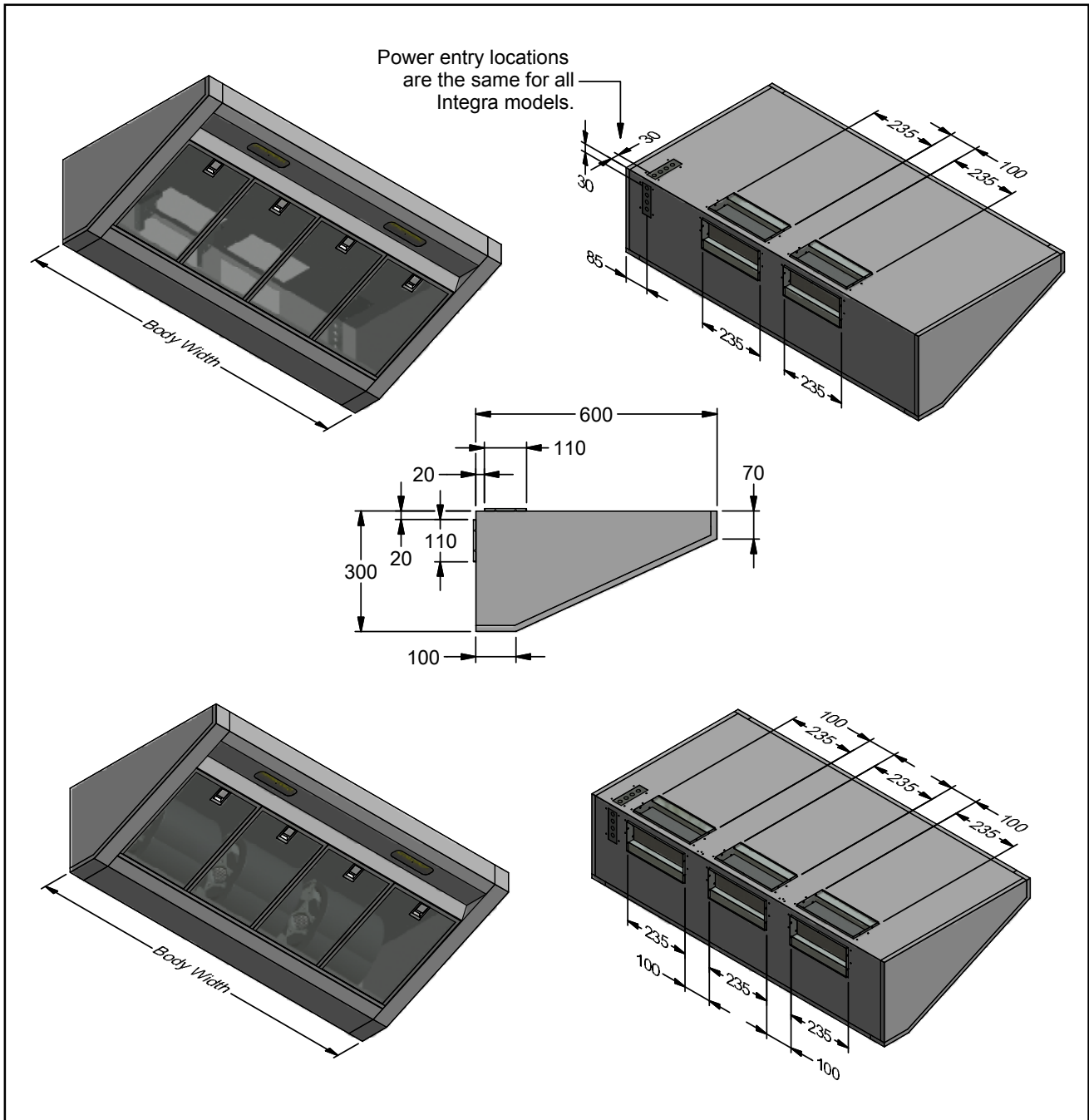
Model	STA 1200L-2	STAR 1200L-2 W/Rail	Model	STA 1200L-2	STAR 1200L-2 W/Rail
Body Width	1200mm	1200mm	Filter Size	272mm x 355mm	272mm x 355mm
Motor Box / Flue Width	403mm	403mm	Conversion Top/Back Back/Top	YES	YES
Motor Qty	2	2	Electrical Connection	Junction Box	Junction Box
LED Light	Cool	Cool	Minimum Height (H =)	740mm	740mm
Nightlight	YES	YES	Maximum Height (H =)	1550mm	1550mm
Light Qty	2	2	PowderKote® Available	YES	YES
Light Centres	648mm	648mm	All-thread Fixing Centres	N/A	N/A
Filter Qty	4	4	Corner Type	Round	Round
			Condari Pty Ltd. Version: C 20/01/2015F Page 2 of 2		

## INTEGRA - IN



Model	IN 600L-1	IN 900L-2	Model	IN 600L-1	IN 900L-2
Body Width	600mm	900mm	Filter Size	272mm x 355mm	272mm x 355mm
Motor Box / Flue Width	N/A	N/A	Conversion Top/Back Back/Top	YES	YES
Motor Qty	1	2	Electrical Connection	Remote Switching	Remote Switching
LED Light	Cool	Cool	Minimum Height (H =)	N/A	N/A
Nightlight	NO	NO	Maximum Height (H =)	N/A	N/A
Light Qty	1	2	PowderKote® Available	N/A	N/A
Light Centres	Centre	285mm	All-thread Fixing Centres	N/A	N/A
Filter Qty	2	3	Corner Type	Square	Square
			Condari Pty Ltd.	Version: A 28/11/2014F Page 1 of 2	

## INTEGRA - IN



Model	IN 1200L-2	IN 1200L-3	Model	IN 1200L-2	IN 1200L-3
Body Width	1200mm	1200mm	Filter Size	272mm x 355mm	272mm x 355mm
Motor Box / Flue Width	N/A	N/A	Conversion Top/Back Back/Top	YES	YES
Motor Qty	2	3	Electrical Connection	Remote Switching	Remote Switching
LED Light	Cool	Cool	Minimum Height (H =)	N/A	N/A
Nightlight	NO	NO	Maximum Height (H =)	N/A	N/A
Light Qty	2	2	PowderKote® Available	N/A	N/A
Light Centres	560mm	560mm	All-thread Fixing Centres	N/A	N/A
Filter Qty	4	4	Corner Type	Square	Square
			Condari Pty Ltd. Version: A 28/11/2014F Page 2 of 2		

## FILTER CLEANING

For the best results, please clean filters regularly. Condari recommends cleaning filters once per month, or immediately after heavy use.

You can do this by hand washing in warm soapy water, or by placing filters in the top rack of the dishwasher using a detergent of pH 8 or less. Note: Washing the filters in the dishwasher may cause discolouration of the filters.

Ensure the filters are completely dry before placing them back. Do not operate the rangehood without the filters installed.

Condari **does not** recommend the use of any citrus or industrial products, particularly corrosive, caustic or acid.

## RANGEHOOD CLEANING

QASAIR rangehoods are made from stainless steel, either type 304 or type 316.

- Type 304 is classified as 18/8 stainless steel
- Type 316 is classified as 18/10 stainless steel.

This means that the stainless is made of 18% nickel and either 8% or 10% of chromium respectively.

Stainless steel gets its protective coating from the chromium oxidising in the air to form a protective surface of chromium oxide.

Please use non-corrosive or non-abrasive cleaners (warm soapy water recommended). Stainless Steel cleaner may be used.

## CONDARI PTY LTD APPLIANCE GUARANTEE

The benefits conferred by this warranty are in addition to all other rights and remedies in respect of the product which the consumer has under the Competition and Consumer Act 2010 and similar state and territory laws.

Condari P/L in Melbourne (and by their agency in Country Areas and other States) warrants that the appliance will be free from defects in materials and workmanship for a period of 36 months from the date of purchase of the appliance to the consumer.

If there is a breach of this warranty, Condari will rectify, free of charge, at its nearest service centre or authorised service agency any fault caused by faulty workmanship or material at the time of manufacture occurring in the appliance within 36 months from the date of delivery of the appliance to the customer.

This warranty is conditional upon the appliance being used only for personal, domestic and household purposes and installed and operated in accordance with QASAIR Instructions and does not apply to articles which by their nature are consumable.

If a defect is caused by neglect, misuse, or failure to follow operating instructions where special precautions are detailed for user attention then a charge shall be made for the service call.

For example:

With the filters the user is specifically requested:

- To clean filter regularly by handwashing or placing in a dishwasher at least once a month.
- To turn rangehood off after each use.

Where a claim is made under warranty, CONDARI reserves the right to determine whether or not the fault is caused by faulty workmanship or material or that the part is defective.

The consumer shall be fully responsible for all expenses whatsoever incidental to the removal of parts from the unit or to their replacement. Amongst other things, such responsibility shall extend to damaged walls, tiles, fixtures and fittings whether or not the unit has been built into a cupboard and irrespective of the stage either of its installation or the fitting of any other item whatsoever in its vicinity.

No other person, or firm or corporation is authorised by Condari to offer or give on its behalf any other greater warranty that given by Condari under this warranty.

## EXCLUSIONS

There are some exclusions from the Condari Pty Ltd Guarantee. (on previous page)

CONDOR Rangehoods are designed to be used over all domestic barbecues available in AUSTRALIA.

QASAIR Rangehoods are not to be used over barbecues approved for outdoor use only.

Outdoor barbecues will have a rating plate on them specifying that they are approved for outdoor use only and also a mega joule rating per burner or a total mega joule rating.

In practice any barbecue or outdoor cooking appliance over 50 mega joule will need a specially made rangehood with an air movement exceeding 2000 cubic meters per hour.

QASAIR have hoods to go over domestic cookers such as VIKING, WOLF and CAPITAL cooking appliances. These brands have a mega joule rating of up to 95 mj and therefore special hoods are required for the appliances.

CONDARI will manufacture special rangehoods to go over commercial cooking appliances situated in domestic kitchens.

Once the heat output is over 50 mega joule a special rangehood is required.



# STANDARD WARRANTY

Date purchased

Purchased from \_\_\_\_\_

Model \_\_\_\_\_

Serial No \_\_\_\_\_

The purchaser must fill in the above information and keep this with the original purchase document. This form must be produced if and when a claim is made under this warranty.

QASAIR Rangehoods are made in Ringwood, Australia.

Tel: +61 3 9482 7088

Fax: +61 3 9482 7011

Email: [sales@condari.com.au](mailto:sales@condari.com.au)