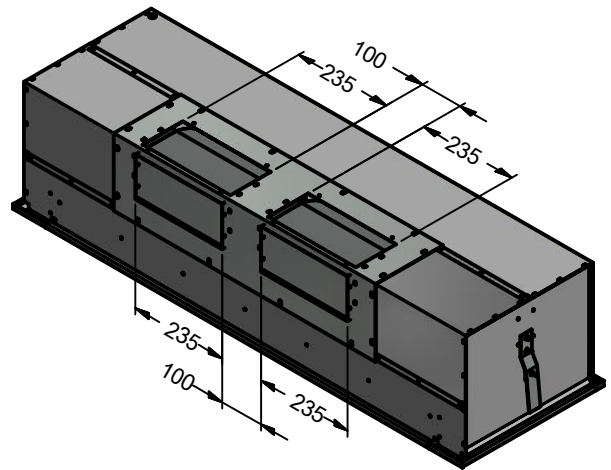
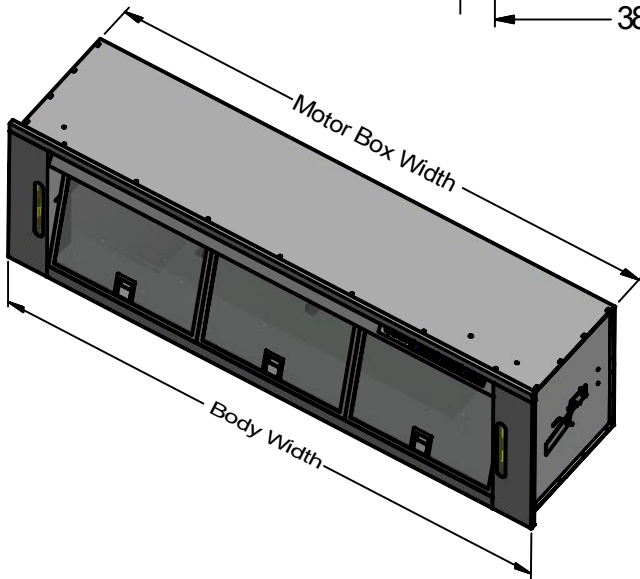
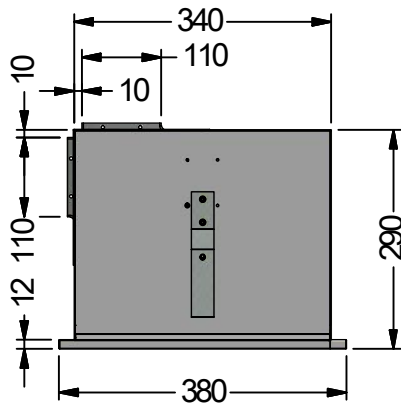
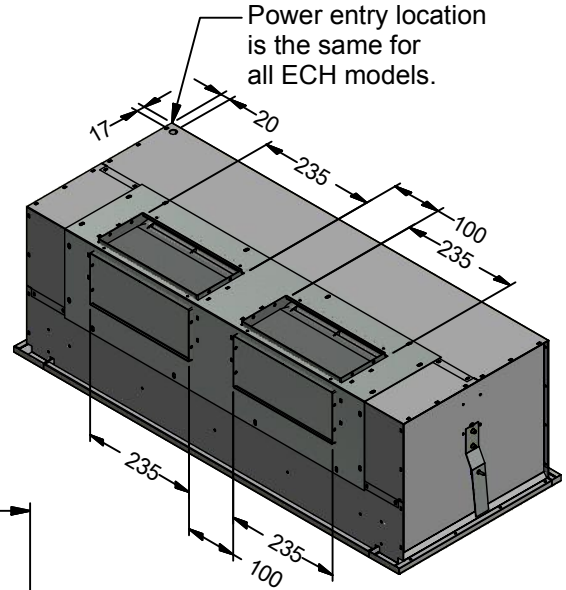
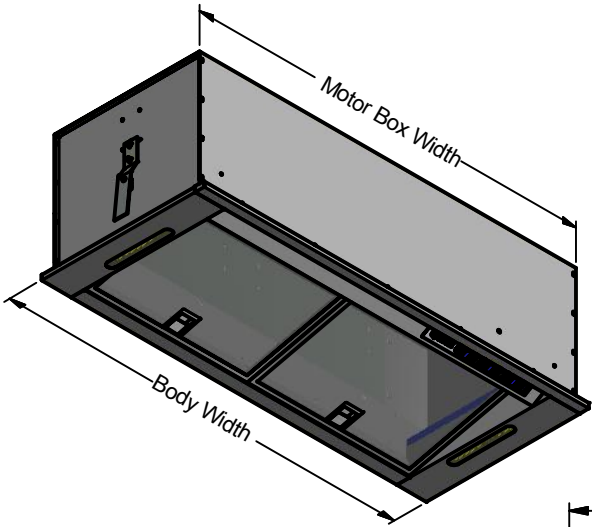


Model	ETN 600L-1	ETN 900L-1	Model	ETN 600L-1	ETN 900L-1
Body Width	600mm	900mm	Filter Size	479mm x 290mm	379mm x 290mm
Motor Box / Flue Width	580mm	880mm	Conversion Top/Back Back/Top	YES	YES
Motor Qty	1	1	Electrical Connection	10 Amp Lead	10 Amp Lead
LED Light	Cool	Cool	Minimum Height (H =)	N/A	N/A
Nightlight	YES	YES	Maximum Height (H =)	N/A	N/A
Light Qty	2	2	PowderKote® Available	N/A	N/A
Light Centres	520mm	800mm	All-thread Fixing Centres	N/A	N/A
Filter Qty	1	2	Corner Type	Square	Square
			Condari Pty Ltd.	Version: C 2/6/2016F	Page 1 of 2



Model	ETN 900L-2	ETN 1200L-2	Model	ETN 900L-2	ETN 1200L-2
Body Width	900mm	1200mm	Filter Size	379mm x 290mm	340mm x 290mm
Motor Box / Flue Width	880mm	1180mm	Conversion Top/Back Back/Top	YES	YES
Motor Qty	2	2	Electrical Connection	10 Amp Lead	10 Amp Lead
LED Light	Cool	Cool	Minimum Height (H =)	N/A	N/A
Nightlight	YES	YES	Maximum Height (H =)	N/A	N/A
Light Qty	2	2	PowderKote® Available	N/A	N/A
Light Centres	800mm	1060mm	All-thread Fixing Centres	N/A	N/A
Filter Qty	2	3	Corner Type	Square	Square
			Condari Pty Ltd.	Version: C 2/6/2016F	Page 2 of 2