

CONDOR RANGE – MILLINGTON (ISLAND) CUSTOMER SPECIFICATION SHEET

*Any variation to the below will mean the hood has to be specially made and will be subject to a quotation.
The order will not be confirmed until this form is signed and completed.*

MODEL REQUIRED

- MIL 1200L-3
- MIL 1200L-3 R
- MIL 1500L-3
- MIL 1500L-3 R

R = REMOTE SWITCHING

Length of cable: _____

DUCT DIRECTION

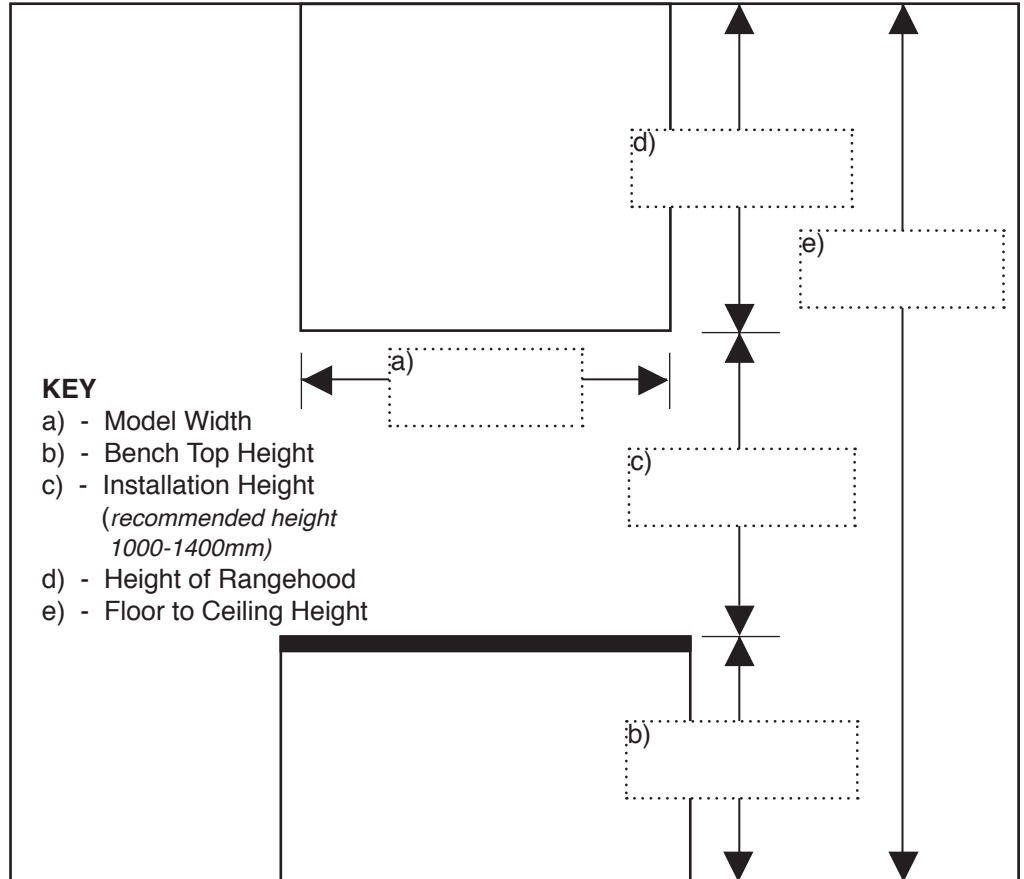
- Top Ducted

FINISH

- Stainless Steel

LED LIGHTS

- Cool
- Warm



KEY

- a) - Model Width
- b) - Bench Top Height
- c) - Installation Height
(recommended height 1000-1400mm)
- d) - Height of Rangehood
- e) - Floor to Ceiling Height

MIN STANDARD HEIGHT
500 MM

MAX STANDARD HEIGHT
1180 MM

DATE _____ ORDER NO. _____

COMPANY _____

CONSULTANT _____

TYPE & BRAND OF BARBECUE _____

POSITION AND ANGLE OF LID _____

DATE REQUIRED _____

COMMENTS _____

CUSTOMER SIGNATURE _____

Condari Pty Ltd ABN: 51 056 577 765 | Phone: 1300 360 563 | 668 Smith Street Clifton Hill VIC 3068

VIC / TAS
Email: sales@qasair.com.au
Phone: 03 9482 7088
Fax: 03 9482 7011

NSW / ACT
Email: salesnsw@qasair.com.au
Phone: 02 9316 4599
Fax: 02 9316 9299

QLD
Email: salesqld@qasair.com.au
Phone: 07 3423 3503
Fax: 07 3282 9122

SA / NT
Email: salessa@qasair.com.au
Phone: 1300 360 563
Fax: 03 9482 7011

WA
Email: saleswa@qasair.com.au
Phone: 08 9242 5387
Fax: 08 9201 0887