

## CONDOR RANGE – BOSTON SHROUD CUSTOMER SPECIFICATION SHEET

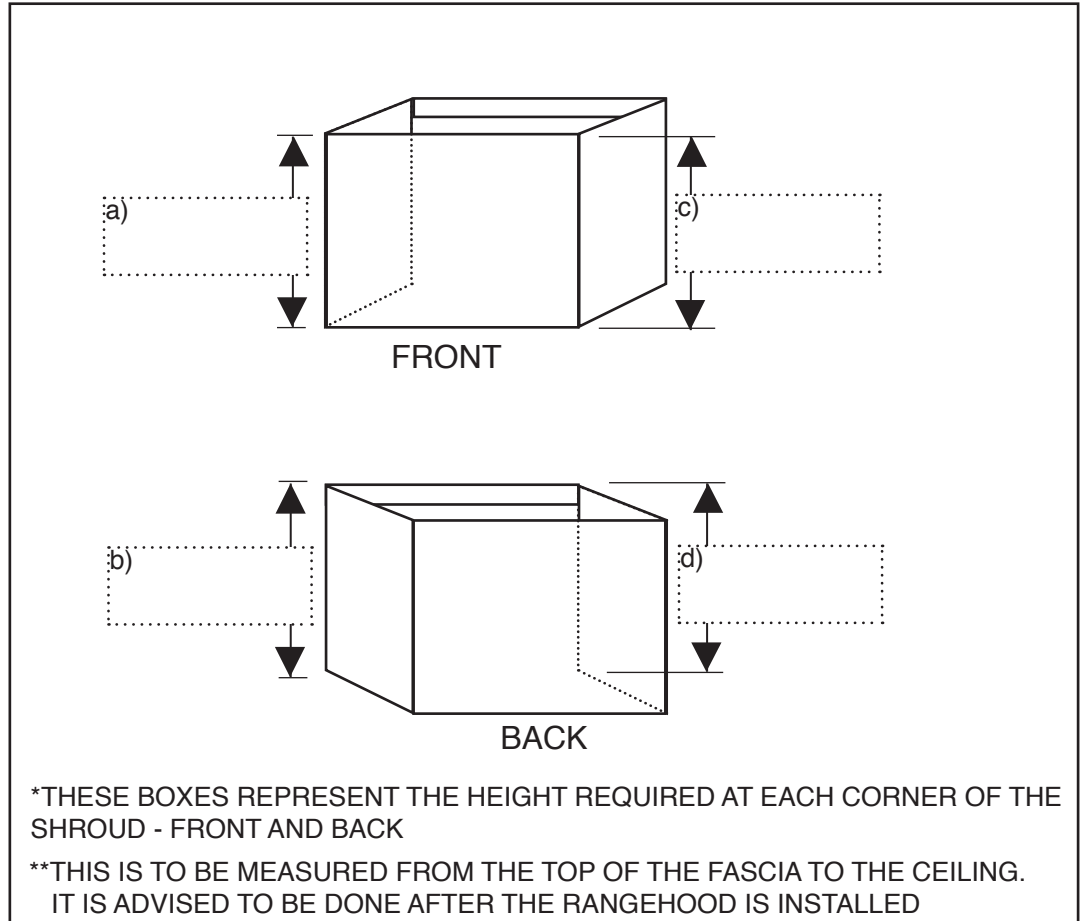
*Any variation to the below will mean the hood has to be specially made and will be subject to a quotation. The order will not be confirmed until this form is signed and completed.*

### SHROUD TO SUIT

- BCM 1000L-3
- BCM 1200L-3
- BCM 1500L-3

### FINISH

- Stainless Steel



**SHROUD MIN STANDARD HEIGHT**  
325 MM

**SHROUD MAX STANDARD HEIGHT**  
1450 MM

DATE \_\_\_\_\_ ORDER NO. \_\_\_\_\_

COMPANY \_\_\_\_\_

CONSULTANT \_\_\_\_\_

TYPE & BRAND OF HOTPLATE \_\_\_\_\_

DEPTH OF BENCH TOP \_\_\_\_\_

DATE REQUIRED \_\_\_\_\_

COMMENTS \_\_\_\_\_

\_\_\_\_\_

CUSTOMER SIGNATURE \_\_\_\_\_

Condari Pty Ltd ABN: 51 056 577 765 | Phone: 1300 360 563 | 668 Smith Street Clifton Hill VIC 3068

**VIC / TAS**  
Email: sales@qasair.com.au  
Phone: 03 9482 7088  
Fax: 03 9482 7011

**NSW / ACT**  
Email: salesnsw@qasair.com.au  
Phone: 02 9316 4599  
Fax: 02 9316 9299

**QLD**  
Email: salesqld@qasair.com.au  
Phone: 07 3423 3503  
Fax: 07 3282 9122

**SA / NT**  
Email: salessa@qasair.com.au  
Phone: 1300 360 563  
Fax: 03 9482 7011

**WA**  
Email: saleswa@qasair.com.au  
Phone: 08 9242 5387  
Fax: 08 9201 0887