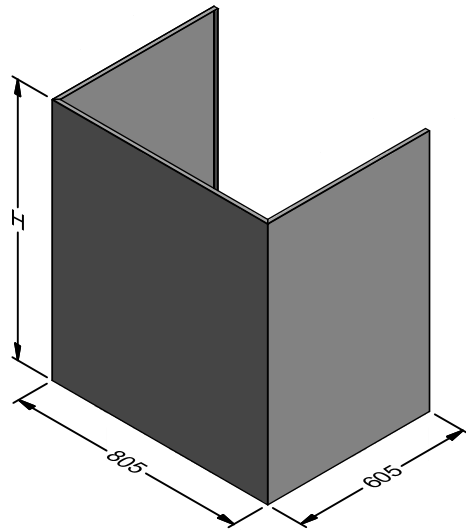
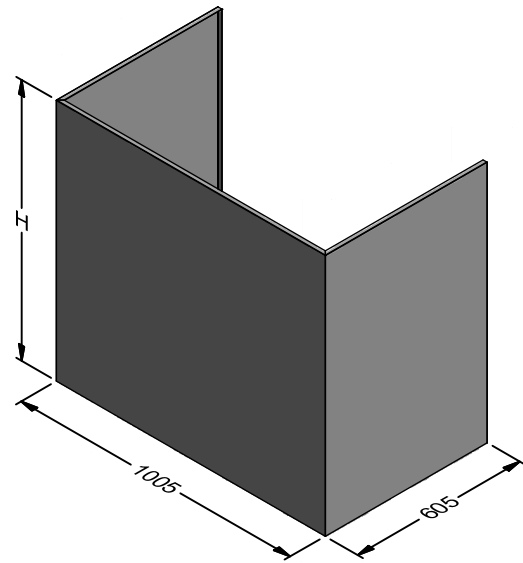


Boston comes top ducted and can be converted to back ducted on site by the installer.

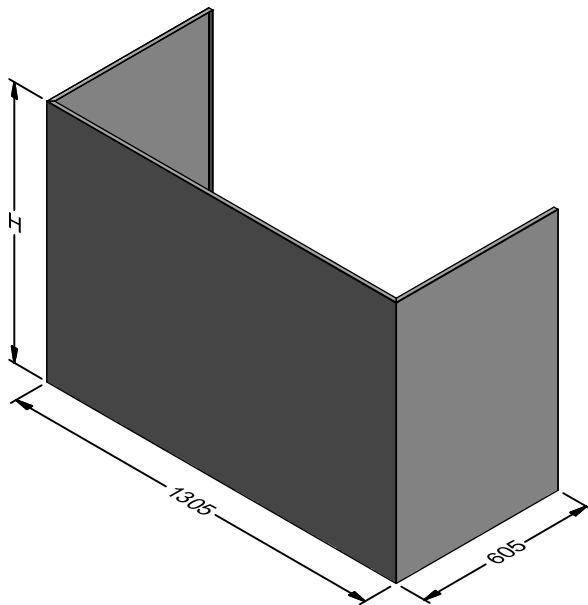
Model	BCM 1000L-3	BCM 1200L-3	BCM 1500L-3	Model	BCM 1000L-3	BCM 1200L-3	BCM 1500L-3
Body Width	1000mm	1200mm	1500mm	Filter Size	290mm x 290mm	272mm x 290mm	459mm x 290mm
Motor Box Width	800mm	1000mm	1300mm	Conversion Top/Back Back/Top	YES	YES	YES
Motor Qty	3	3	3	Electrical Connection	Junction Box	Junction Box	Junction Box
LED Light	Cool or Warm	Cool or Warm	Cool or Warm	Minimum Height (H =)	N/A	N/A	N/A
Nightlight	NO	NO	NO	Maximum Height (H =)	N/A	N/A	N/A
Light Qty	2	2	3	PowderKote® Available	N/A	N/A	N/A
Light Centres	580mm	545mm	459mm	All-thread Fixing Centres	N/A	N/A	N/A
Filter Qty	6	8	6	Corner Type	Round	Round	Round
				Condari Pty Ltd.	Version: F 16/11/2018F		Page 1 of 2



BCM 1000L-3 SHROUD



BCM 1200L-3 SHROUD



BCM 1500L-3 SHROUD

Model	BCM 1000L-3 SHROUD	BCM 1200L-3 SHROUD	BCM 1500L-3 SHROUD
Minimum Height (H =)	325mm	325mm	325mm ^o
Maximum Height (H =)	1450mm	1450mm	1450mm
Powderkote [®] Available	YES	YES	YES