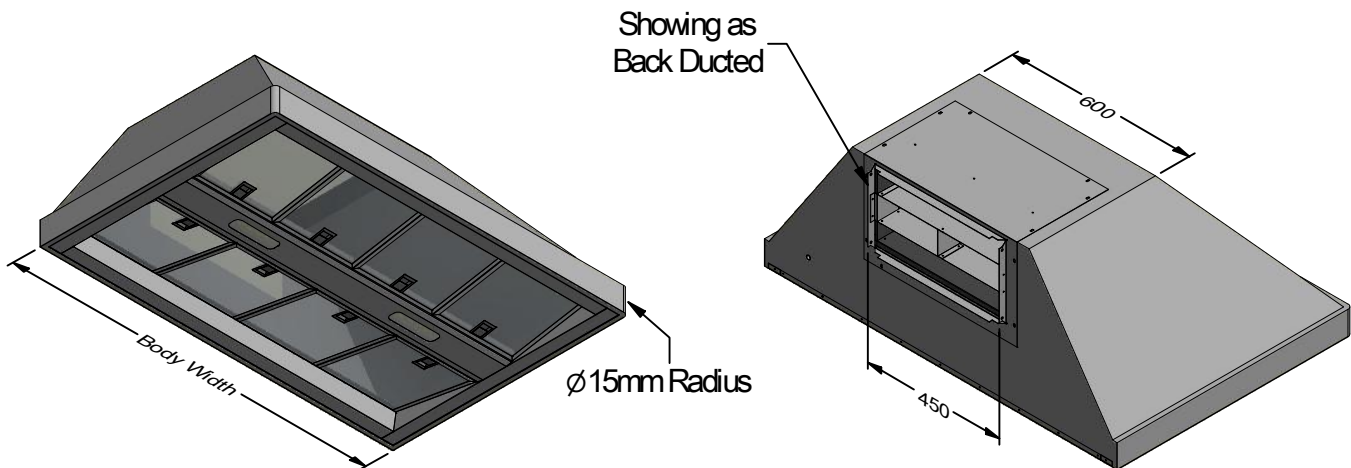
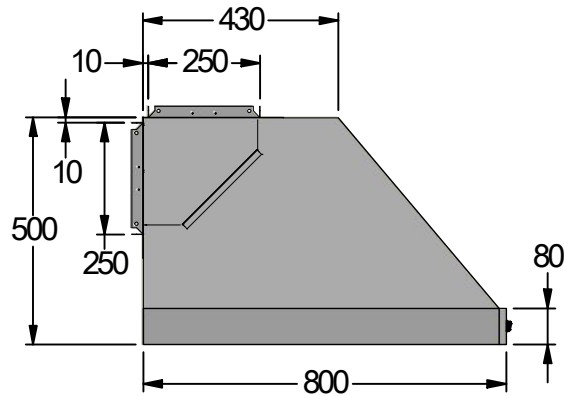
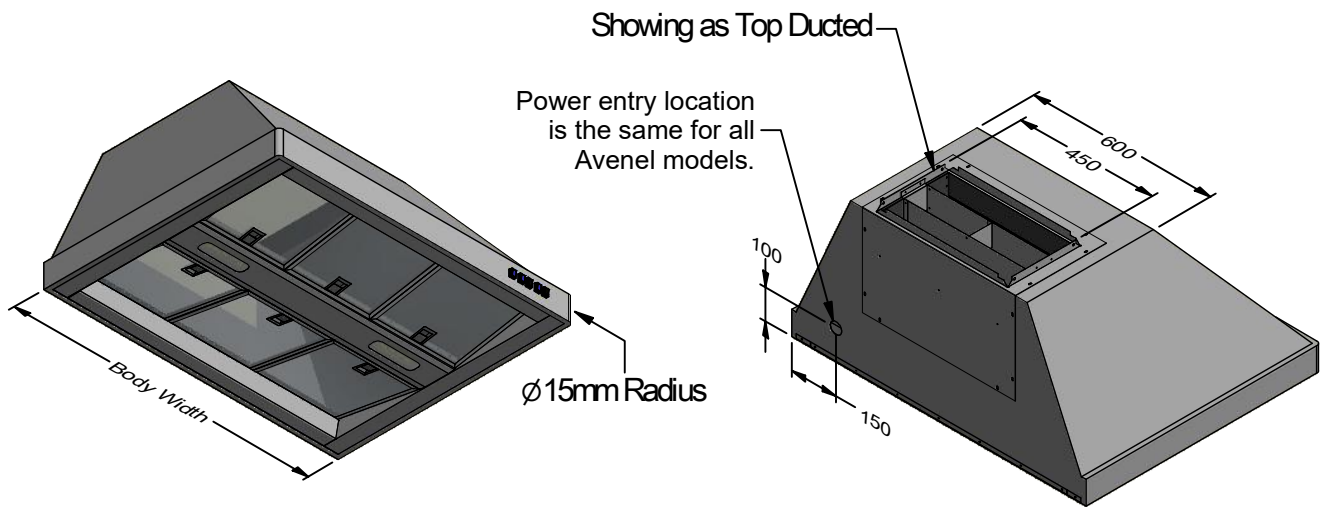


Atherton Technical Specification Sheet

Avenel

Wall Mounted



Electrical connection is made at junction box inside rangehood.
Avenel comes top ducted and can be converted to back ducting on site by the installer.
"R" at the end of the model no. denotes remotely switched rangehood, switching is not supplied.

Model	AVE 1200L-3 AVE 1200L-3 R	AVE 1500L-3 AVE 1500L-3 R	Model	AVE 1200L-3 AVE 1200L-3 R	AVE 1500L-3 AVE 1500L-3 R
Body Width	1200mm	1500mm	Filter Qty	8	6
Motor Qty	3	3	Filter Size	272mm x 290mm	459mm x 290mm
Light Qty	2	3	Conversion Top/Back Back/Top	YES	YES
Light Centres	545mm	460mm	Electrical Connection	Junction Box	Junction Box