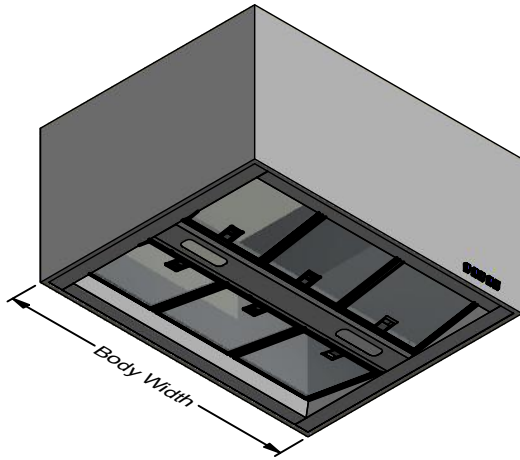


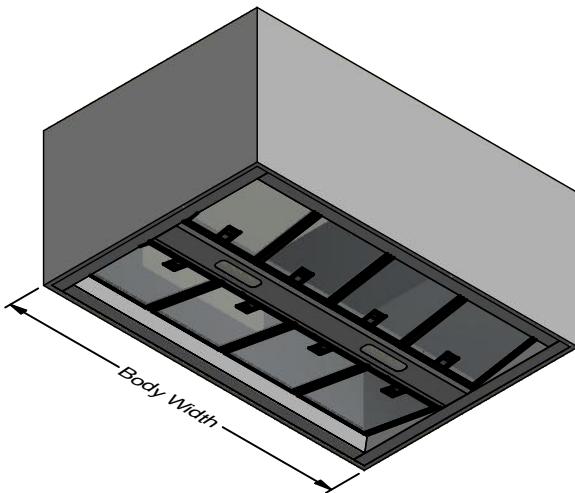
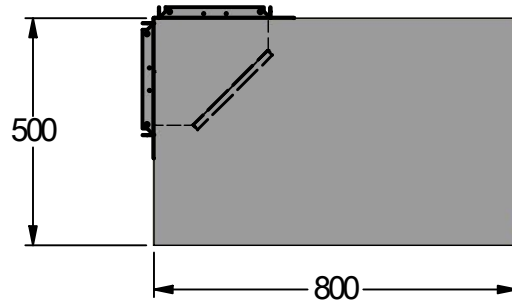
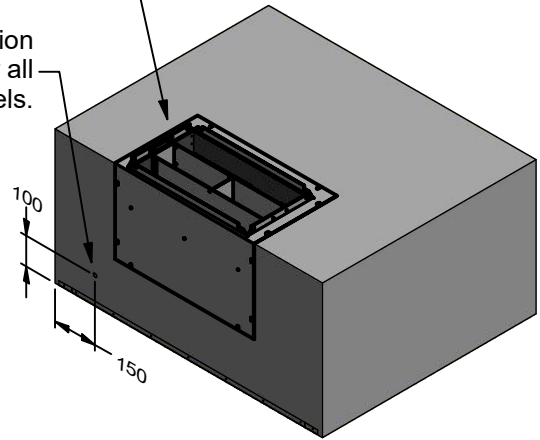
Atherton Technical Specification Sheet

Stirling

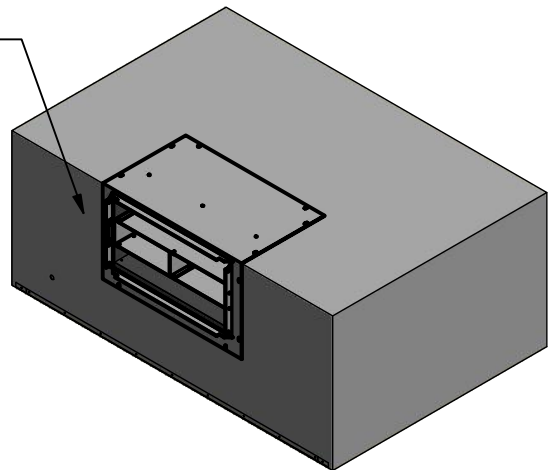
Wall Mounted



Showing as Top Ducted.
Power entry location is the same for all Stirling models.



Showing as Back Ducted.



Electrical connection is made at junction box inside rangehood.
Stirling comes top ducted and can be converted to back ducting on site by the installer.
"R" at the end of the model no. denotes remotely switched rangehood, switching is not supplied.

Model	STIR 1200L-3 STIR 1200L-3 R	STIR 1500L-3 STIR1500L-3 R	Model	STIR 1200L-3 STIR 1200L-3 R	STIR 1500L-3 STIR 1500L-3 R
Body Width	1200mm	1500mm	Filter Qty	8	6
Motor Qty	3	3	Filter Size	272mm x 290mm	459mm x 290mm
Light Qty	2	3	Conversion Top/Back Back/Top	YES	YES
Light Centres	545mm	460mm	Electrical Connection	Junction Box	Junction Box
Version: B 06/08/2019F Page 1 of 1					