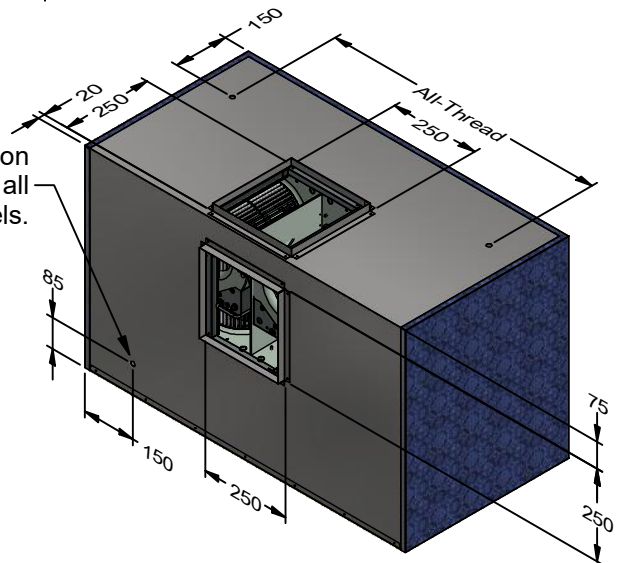
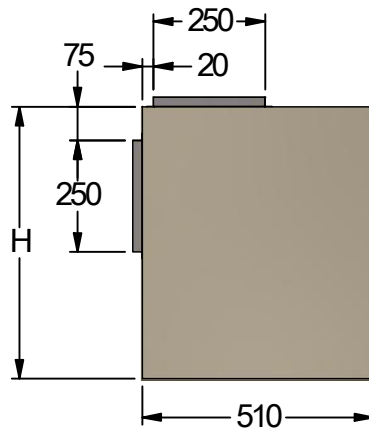
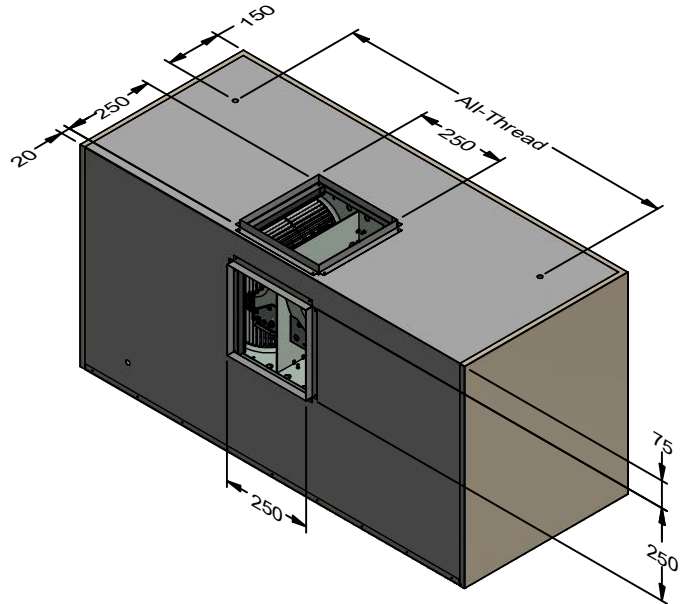
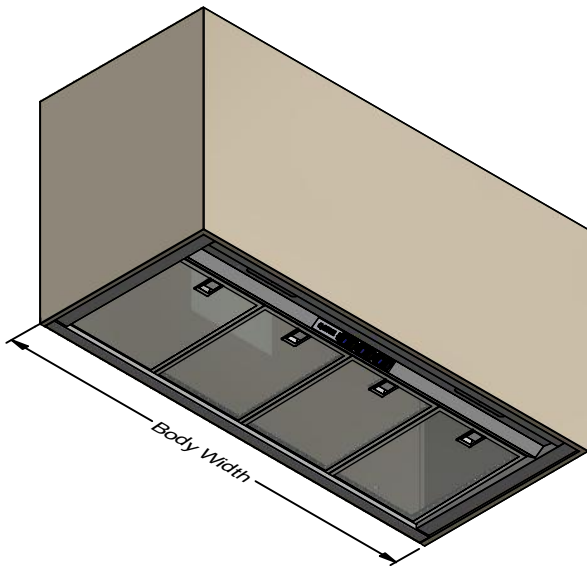


Power entry location is the same for all Lamont models.



All-Thread rods are supplied for extra support.

Model	LAM 900L-2	LAM 1000L-2	Model	LAM 900L-2	LAM 1000L-2
Body Width	900mm	1000mm	Filter Size	272mm x 355mm	290mm x 355mm
Motor Box / Flue Width	N/A	N/A	Conversion Top/Back Back/Top	NO	NO
Motor Qty	2	2	Electrical Connection	Junction Box	Junction Box
LED Light	Cool	Cool	Minimum Height (H =)	400mm	400mm
Nightlight	YES	YES	Maximum Height (H =)	1100mm	1100mm
Light Qty	2	2	PowderKote <sup>®</sup> Available	N/A	N/A
Light Centres	510mm	510mm	All-thread Fixing Centres	800mm	800mm
Filter Qty	3	3	Corner Type	Square	Square
			Condari Pty Ltd.	Version: D 23/06/2020F Page 1 of 2	



All-Thread rods are supplied for extra support.

Model	LAM 1200L-2	Model	LAM 1200L-2
Body Width	1200mm	Filter Size	272mm x 355mm
Motor Box / Flue Width	N/A	Conversion Top/Back Back/Top	NO
Motor Qty	2	Electrical Connection	Junction Box
LED Light	Cool	Minimum Height (H =)	400mm
Nightlight	YES	Maximum Height (H =)	1100mm
Light Qty	2	PowderKote <sup>®</sup> Available	N/A
Light Centres	648mm	All-thread Fixing Centres	950mm
Filter Qty	4	Corner Type	Square
		Condari Pty Ltd Version: D 23/06/2020F	Page 2 of 2