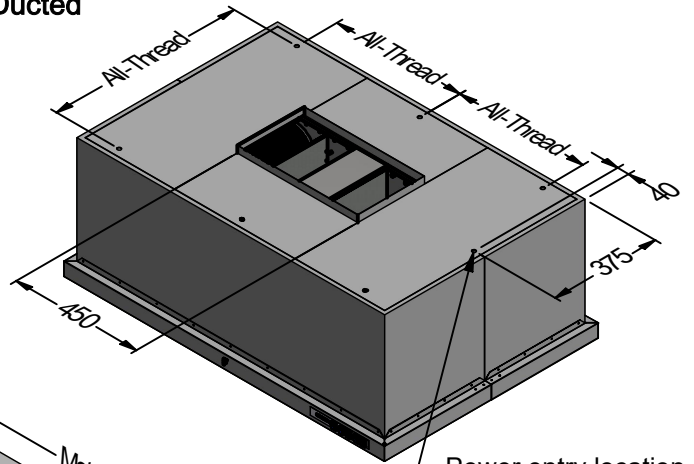
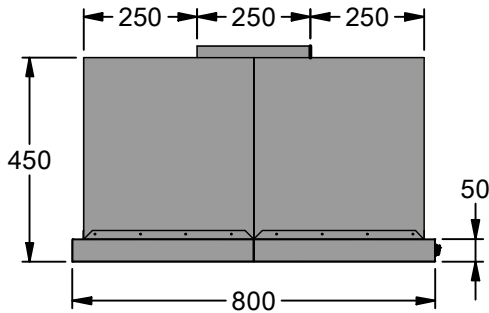
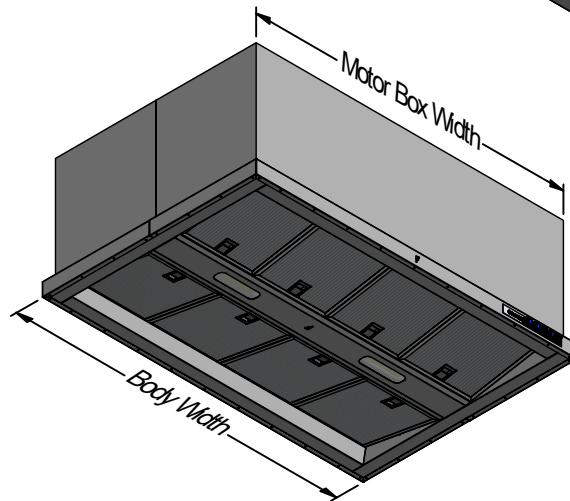




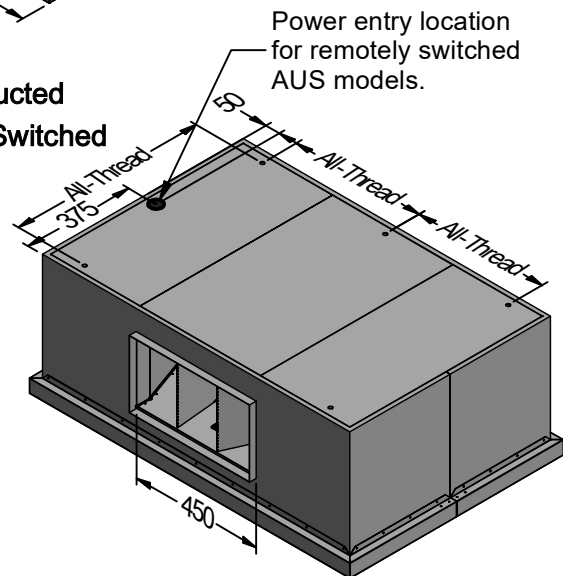
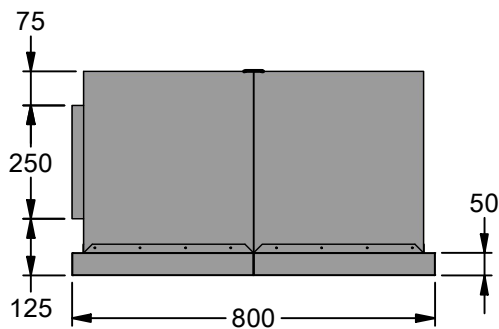
**Top Ducted**



Power entry location is the same for all AUS models.



**Back Ducted Remotely Switched**



Model	AUS 1000L-3 AUS 1000L-3 R	AUS 1200L-3 AUS 1200L-3 R	AUS 1500L-3 AUS 1500L-3 R	Model	AUS 1000L-3 AUS 1000L-3 R	AUS 1200L-3 AUS 1200L-3 R	AUS 1500L-3 AUS 1500L-3 R
<b>Body Width</b>	1000mm	1200mm	1500mm	<b>Filter Size</b>	290mm x 290mm	272mm x 290mm	459mm x 290mm
<b>Motor Box / Flue Width</b>	950mm	1150mm	1450mm	<b>Conversion Top/Back Back/Top</b>	NO	NO	NO
<b>Motor Qty</b>	3	3	3	<b>Electrical Connection</b>	Junction Box	Junction Box	Junction Box
<b>LED Light</b>	Cool or Warm	Cool or Warm	Cool or Warm	<b>Minimum Height (H =)</b>	N/A	N/A	N/A
<b>Nightlight</b>	NO	NO	NO	<b>Maximum Height (H =)</b>	N/A	N/A	N/A
<b>Light Qty</b>	2	2	3	<b>PowderKote® Available</b>	N/A	N/A	N/A
<b>Light Centres</b>	580mm	545mm	459mm	<b>All-thread Fixing Centres</b>	360mm x 665mm	460mm x 665mm	610mm x 665mm
<b>Filter Qty</b>	6	8	6	<b>Corner Type</b>	Square	Square	Square
				<b>Condari Pty Ltd.</b>	<b>Version: D 20/08/2020F</b>	<b>Page 1 of 1</b>	