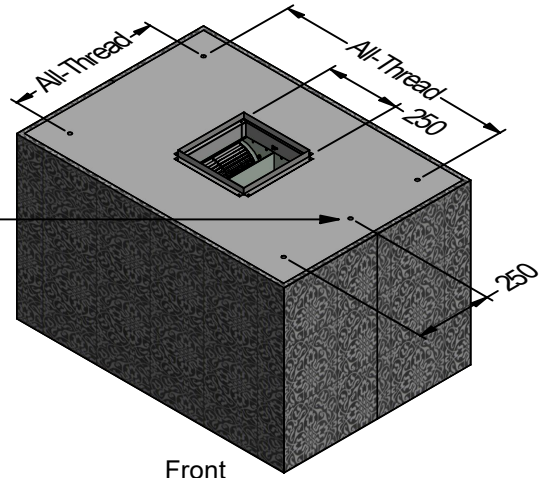
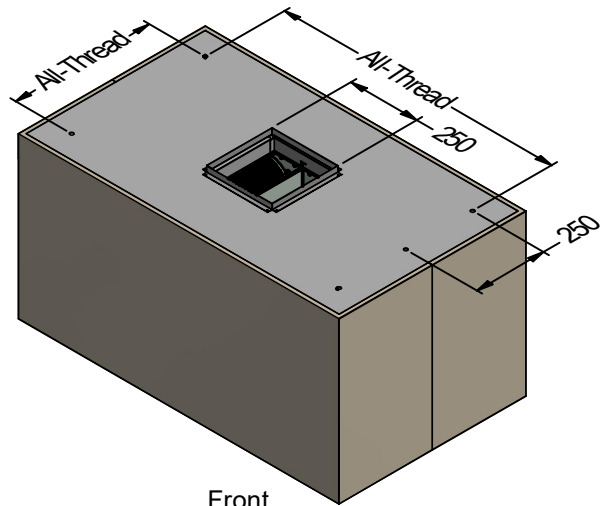
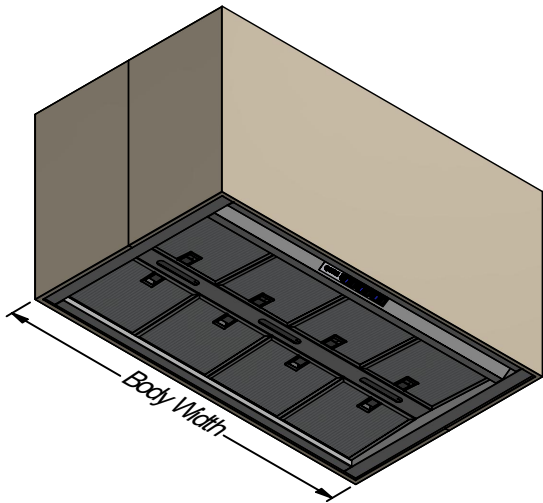
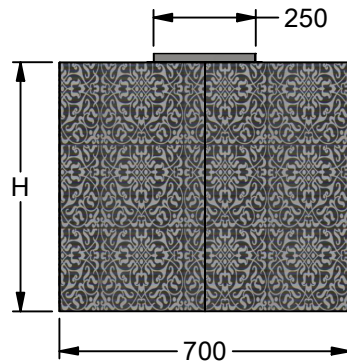


Power entry location is the same for all Belgrad models.

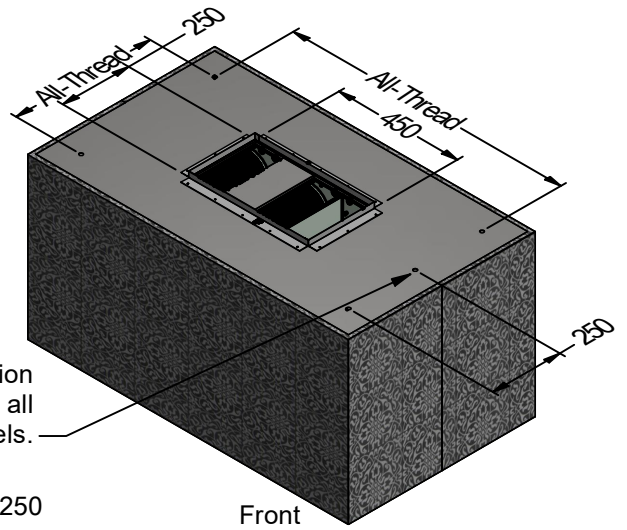
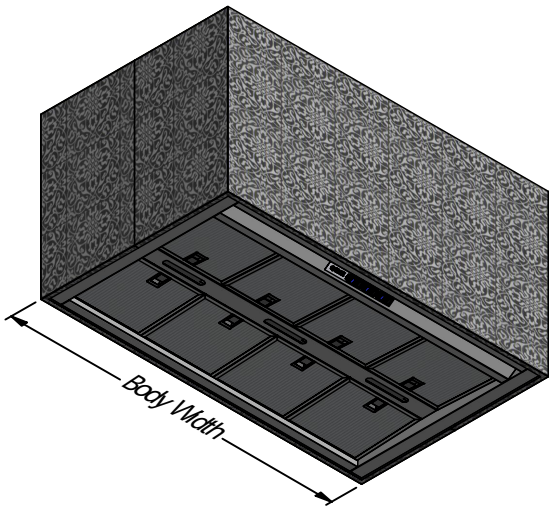


Front

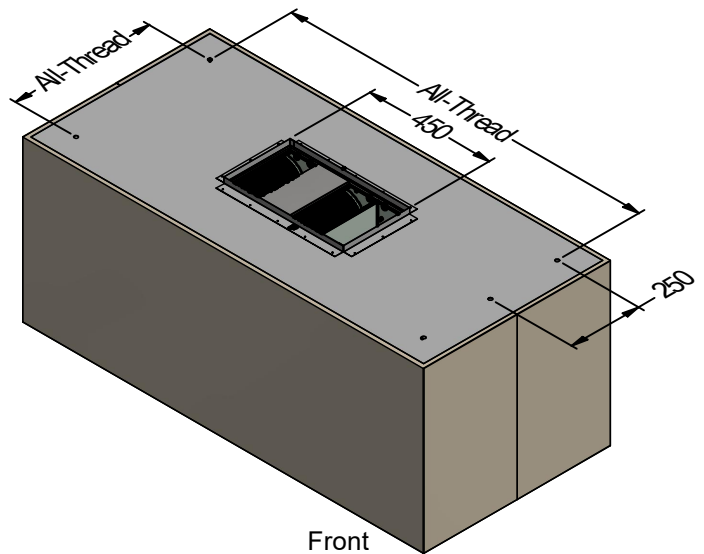
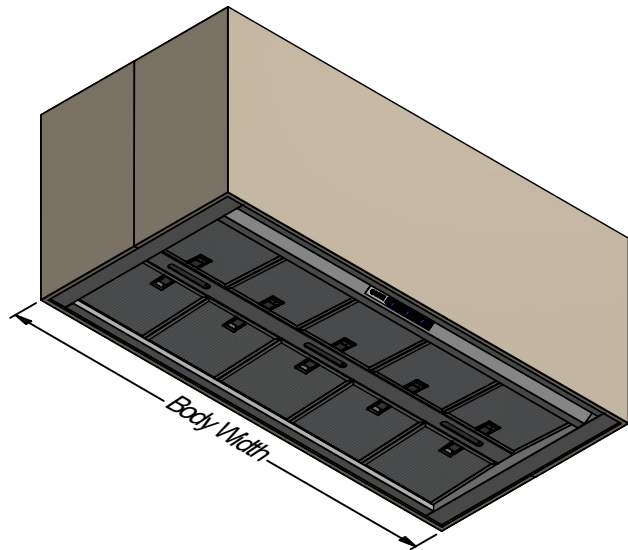
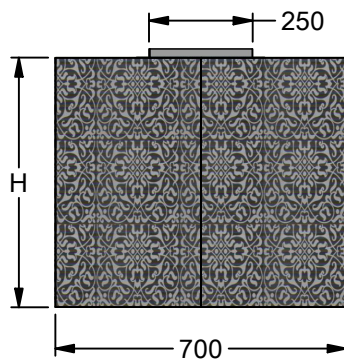


Front

Model	BEL 1000L-2	BEL 1200L-2	Model	BEL 1000L-2	BEL 1200L-2
Body Width	1000mm	1200mm	Filter Size	290mm x 250mm	270mm x 250mm
Motor Box / Flue Width	N/A	N/A	Conversion Top/Back Back/Top	NO	NO
Motor Qty	2	2	Electrical Connection	10 Amp Lead	10 Amp Lead
LED Light	Cool	Cool	Minimum Height (H =)	400mm	400mm
Nightlight	YES	YES	Maximum Height (H =)	1100mm	1100mm
Light Qty	2	3	PowderKote® Available	N/A	N/A
Light Centres	430mm	380mm	All-thread Fixing Centres	500mm x 800mm	500mm x 1000mm
Filter Qty	6	8	Corner Type	Square	Square
I-xy** Series			Condari Pty Ltd.	Version: F 23/03/2021F	Page 1 of 2



Power entry location is the same for all Belgrad models.



Model	BEL 1200L-3	BEL 1500L-3	Model	BEL 1200L-3	BEL 1500L-3
Body Width	1200mm	1500mm	Filter Size	270mm x 250mm	270mm x 250mm
Motor Box / Flue Width	N/A	N/A	Conversion Top/Back Back/Top	NO	NO
Motor Qty	3	3	Electrical Connection	10 Amp Lead	10 Amp Lead
LED Light	Cool	Cool	Minimum Height (H =)	400mm	400mm
Nightlight	YES	YES	Maximum Height (H =)	1100mm	1100mm
Light Qty	3	3	PowderKote® Available	N/A	N/A
Light Centres	380mm	510mm	All-thread Fixing Centres	500mm x 1000mm	500mm x 1300mm
Filter Qty	8	10	Corner Type	Square	Square
I-xy** Series			Condari Pty Ltd.	Version: F 23/03/2021F	Page 2 of 2