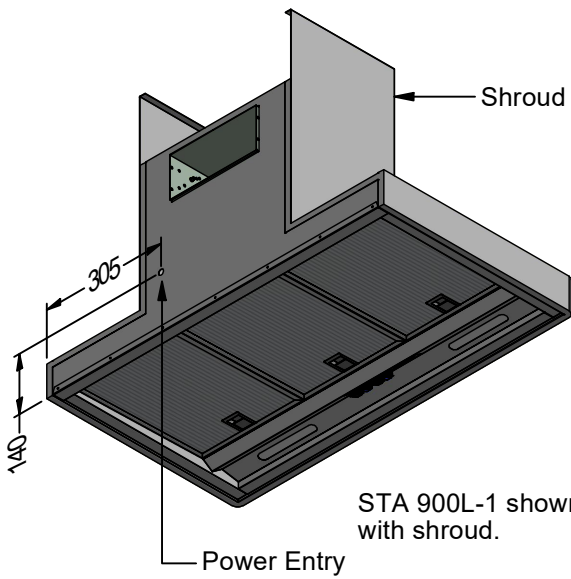
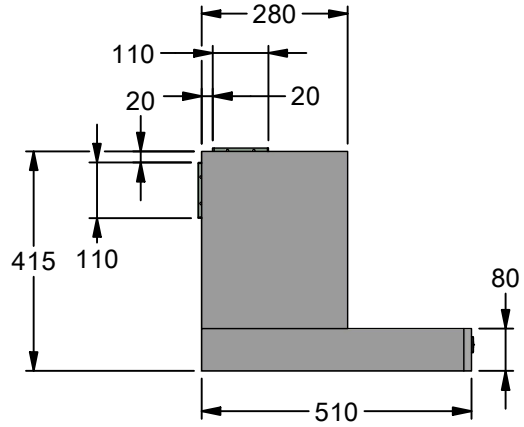
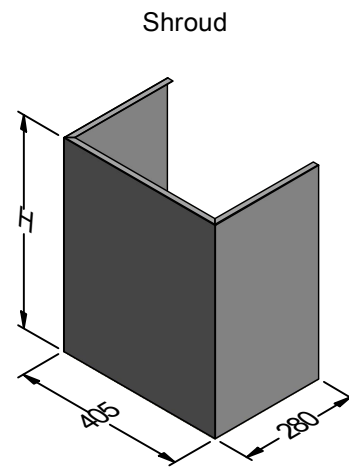


STA 900L-1 shown without shroud.

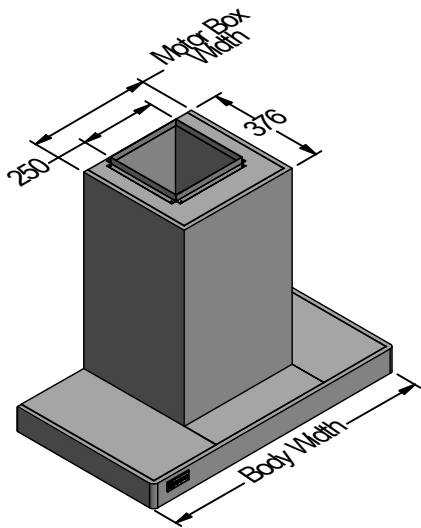


STA 900L-1 shown with shroud.

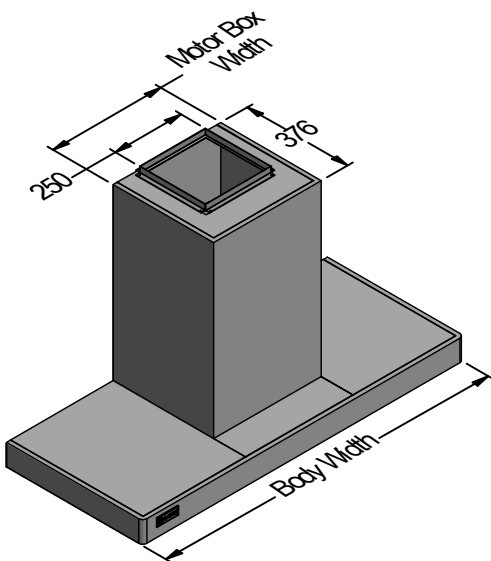
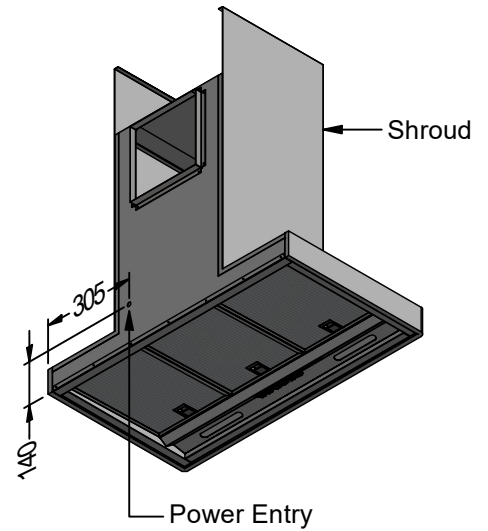
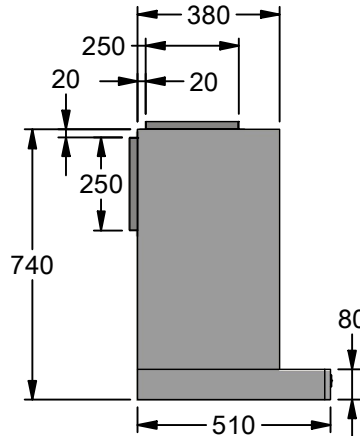


Rangehood can be ordered as back or top ducted.

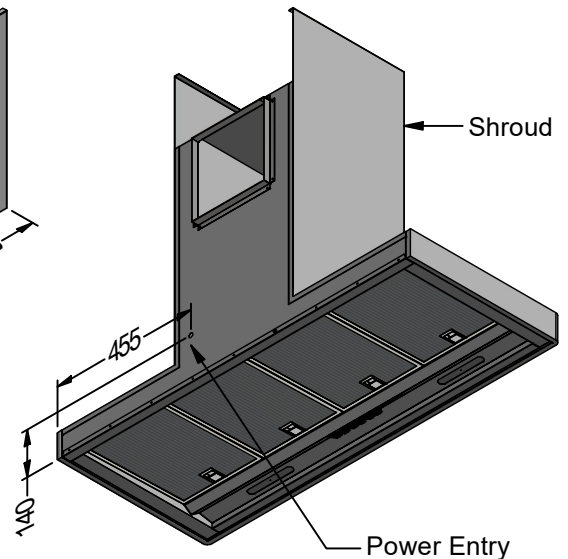
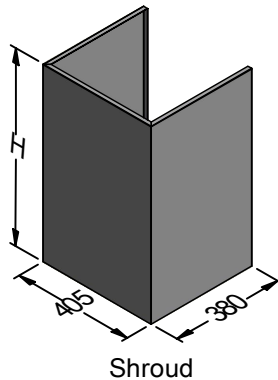
Model	STA 900L-1	Model	STA 900L-1
Body Width	900mm	Filter Size	272mm x 355mm
Motor Box / Flue Width	403mm	Conversion Top/Back Back/Top	YES
Motor Qty	1	Electrical Connection	Junction Box
LED Light	Cool	Minimum Height (H =)	335mm
Nightlight	YES	Maximum Height (H =)	1470mm
Light Qty	2	PowderKote® Available	YES
Light Centres	510mm	All-thread Fixing Centres	N/A
Filter Qty	3	Corner Type	Round
WM-xy** Series		Condari Pty Ltd.	Version: H 18/03/2021F Page 1 of 2



STA 900L-2 shown without shroud.



STA 1200L-2 shown without shroud.



Rangehood is manufactured as top duct only. A conversion kit for back ducted is supplied.

Model	STA 900L-2	STA 1200L-2	Model	STA 900L-2	STA 1200L-2
Body Width	900mm	1200mm	Filter Size	272mm x 355mm	272mm x 355mm
Motor Box / Flue Width	403mm	403mm	Conversion Top/Back Back/Top	YES	YES
Motor Qty	2	2	Electrical Connection	Junction Box	Junction Box
LED Light	Cool	Cool	Minimum Height (H =)	660mm	660mm
Nightlight	YES	YES	Maximum Height (H =)	1470mm	1470mm
Light Qty	2	2	PowderKote® Available	YES	YES
Light Centres	510mm	648mm	All-thread Fixing Centres	N/A	N/A
Filter Qty	3	4	Corner Type	Round	Round
WM-xy** Series			Condari Pty Ltd.	Version: H 18/03/2021F Page 2 of 2	