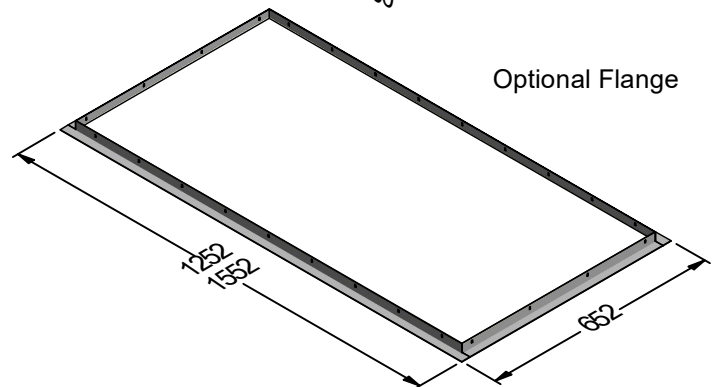
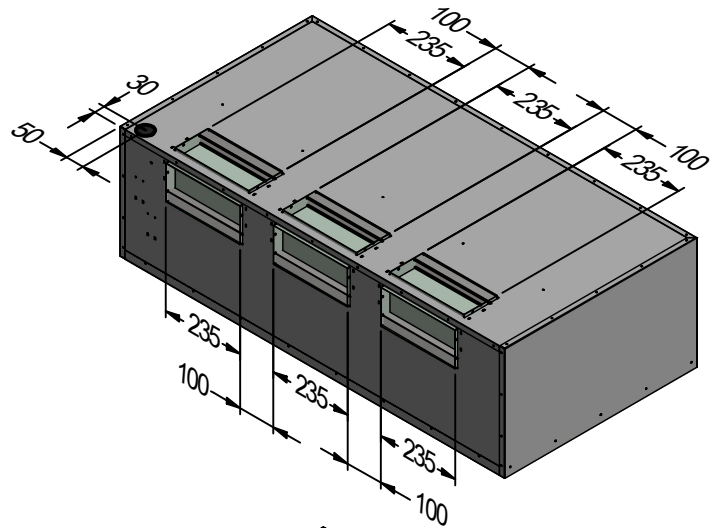


This view is shown with grills removed to expose filters.



Optional Flange

SWITCHING IS NOT SUPPLIED.
 ELECTRICAL CONNECTION IS MADE AT JUNCTION BOX INSIDE RANGEHOOD.

Model	TR CT 1200-3	TR CT 1500-3	Model	TR CT 1200-3	TR CT 1500-3
Body Width	1200mm	1500mm	Filter Size	290mm x 480mm	290mm x 480mm
Motor Box / Flue Width	N/A	N/A	Conversion Top/Back Back/Top	YES	YES
Motor Qty	3	3	Electrical Connection	Junction Box	Junction Box
LED Light	NO	NO	Minimum Height (H =)	N/A	N/A
Nightlight	NO	NO	Maximum Height (H =)	N/A	N/A
Grill Qty	2	3	PowderKote® Available	N/A	N/A
Grill Size	598mm x 596mm	498mm x 596mm	All-thread Fixing Centres	N/A	N/A
Filter Qty	4	5	Corner Type	Square	Square
I-xy** Series			Condari Pty Ltd.	Version: E 22/03/2021F Page 1 of 1	