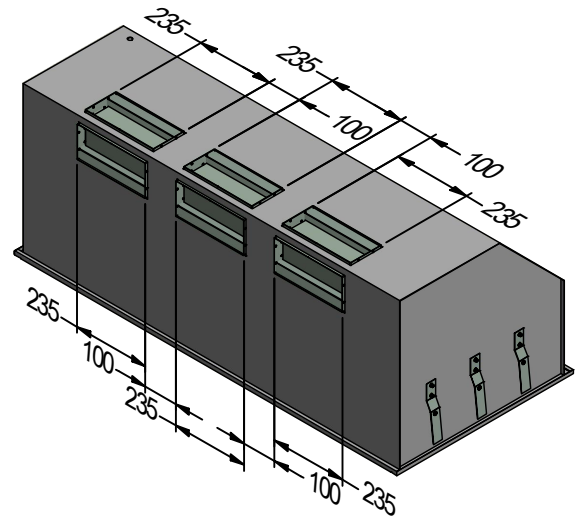
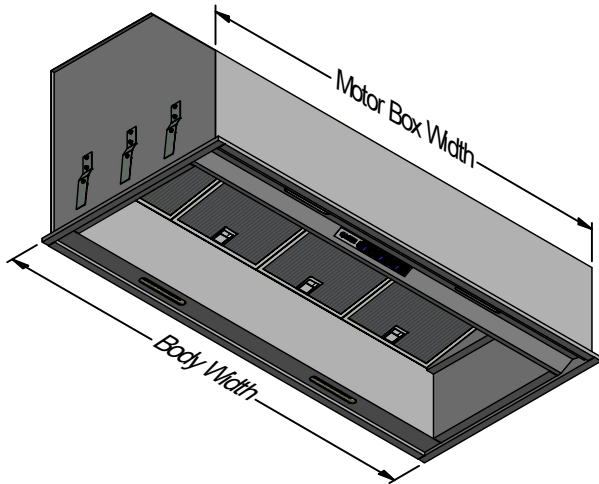
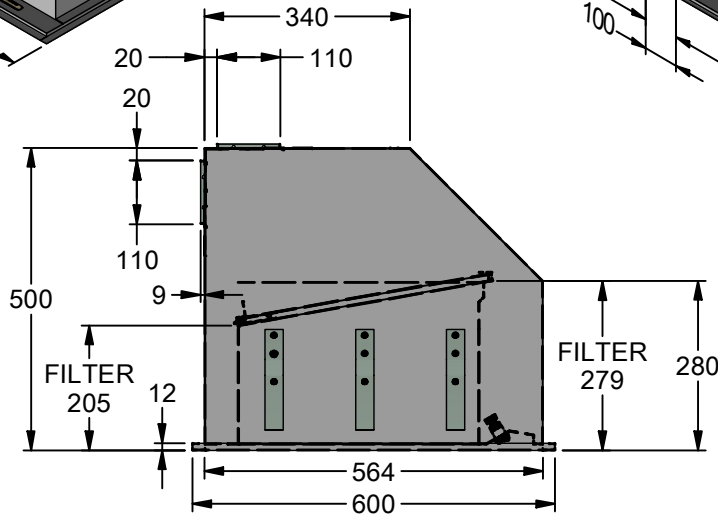
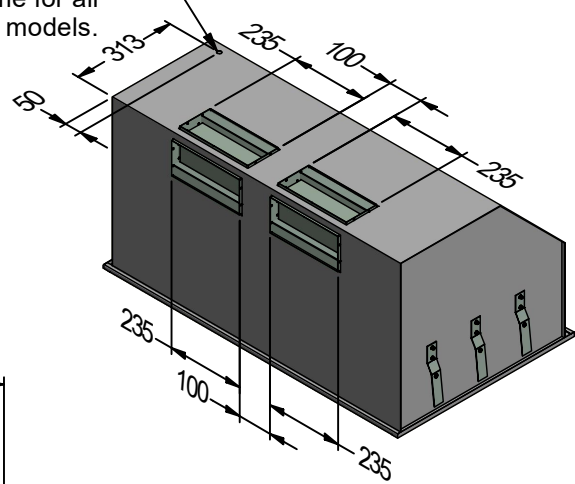
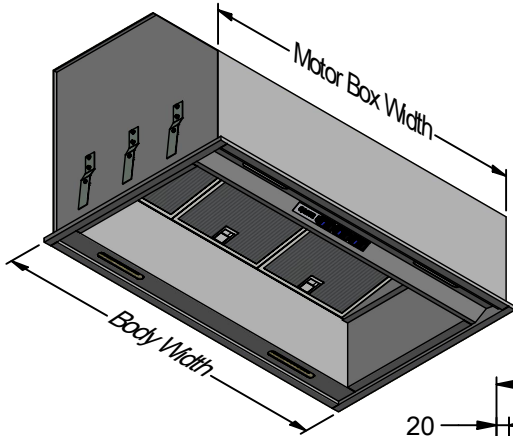
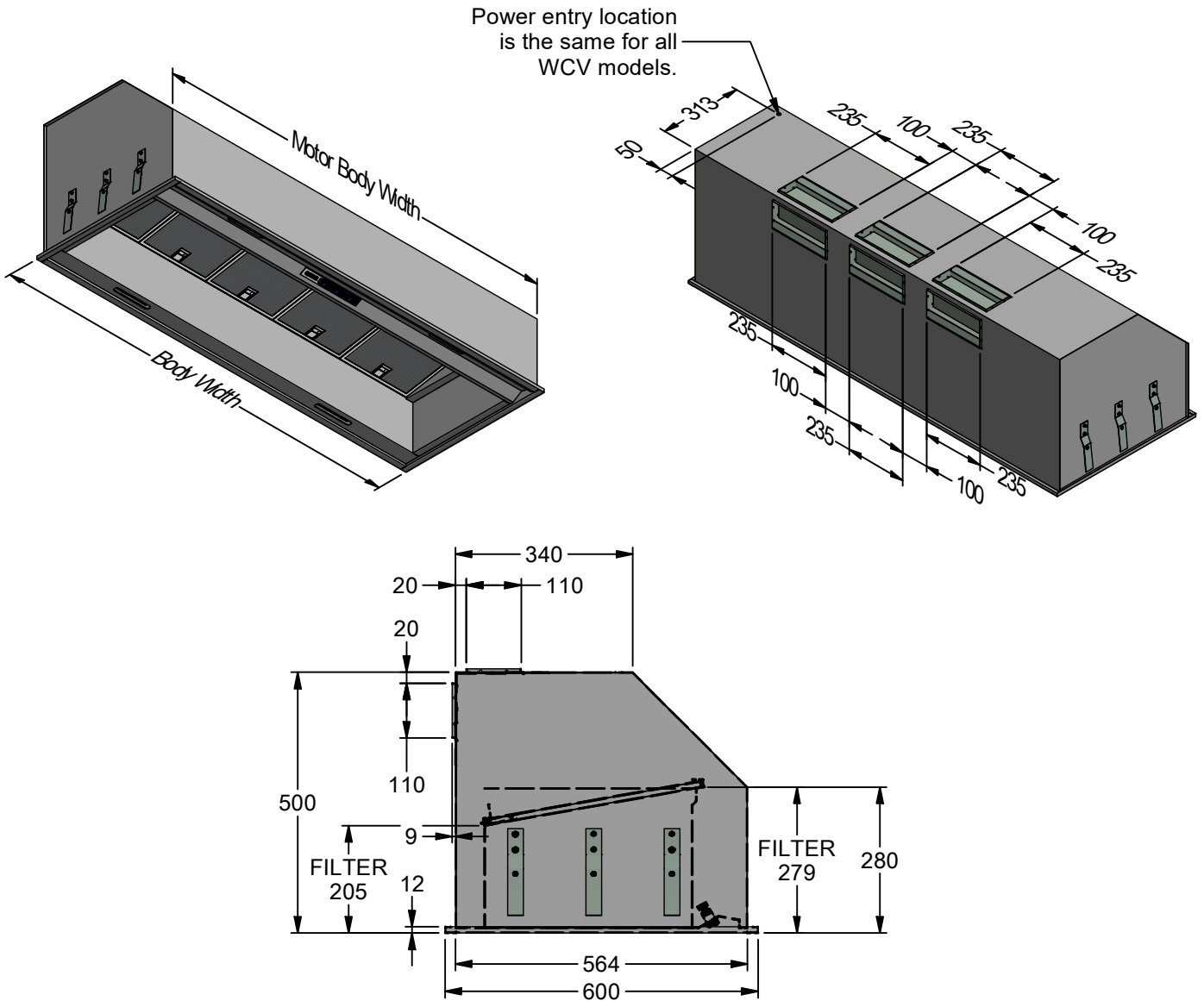




Power entry location is the same for all WCV models.



Model	WCV 1000L-2	WCV 1300L-3	Model	WCV 1000L-2	WCV 1300L-3
Body Width	1000mm	1300mm	Filter Size	290mm x 422mm	290mm x 422mm
Motor Box / Flue Width	980mm	1280mm	Conversion Top/Back Back/Top	YES	YES
Motor Qty	2	3	Electrical Connection	10 Amp Lead	10 Amp Lead
LED Light	Cool	Cool	Minimum Height (H =)	N/A	N/A
Nightlight	YES	YES	Maximum Height (H =)	N/A	N/A
Light Qty	4	4	PowderKote® Available	N/A	N/A
Light Centres	580mm	580mm	All-thread Fixing Centres	N/A	N/A
Filter Qty	3	4	Corner Type	Square	Square
UM-xy** Series			Condari Pty Ltd.	Version: D 01/10/2021F	Page 1 of 2



Model	WCV 1600L-3	Model	WCV 1600L-3
Body Width	1600mm	Filter Size	290mm x 422mm
Motor Box / Flue Width	1580mm	Conversion Top/Back Back/Top	YES
Motor Qty	3	Electrical Connection	10 Amp Lead
LED Light	Cool	Minimum Height (H =)	N/A
Nightlight	YES	Maximum Height (H =)	N/A
Light Qty	4	PowderKote® Available	N/A
Light Centres	872mm	All-thread Fixing Centres	N/A
Filter Qty	5	Corner Type	Square
UM-xy** Series		Condari Pty Ltd.	Version: D 01/10/2021F Page 2 of 2