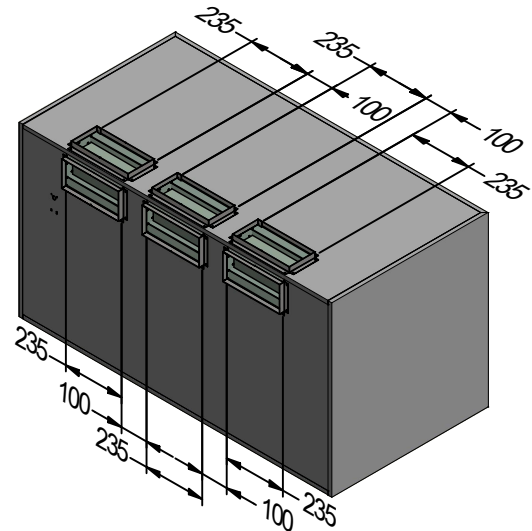
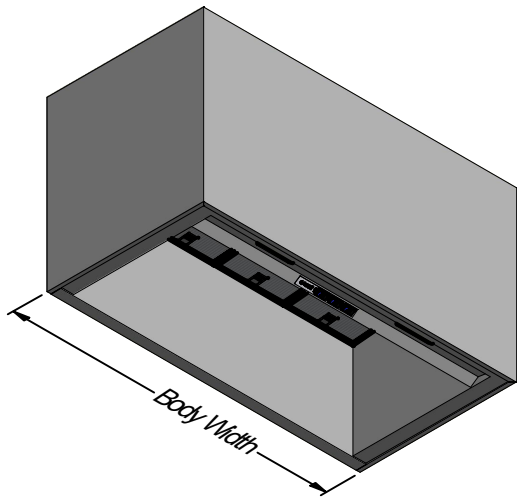
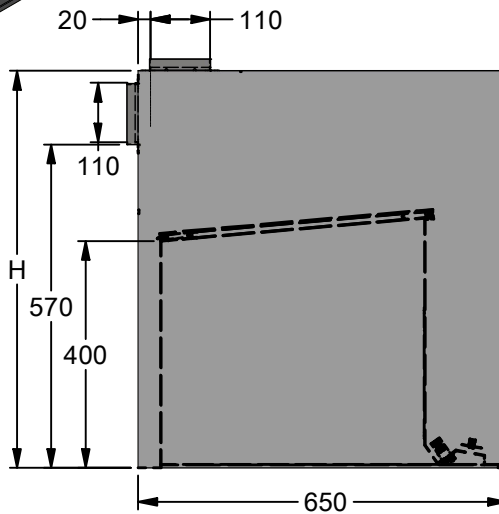
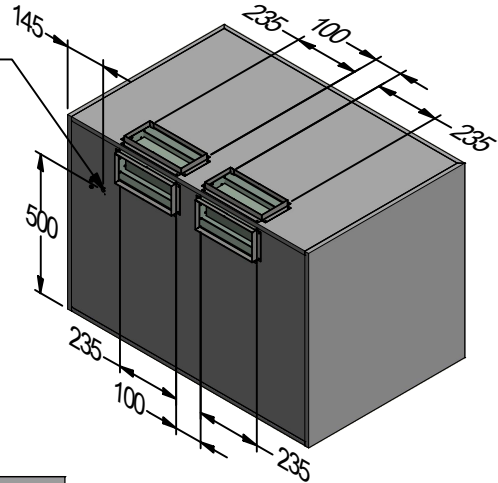
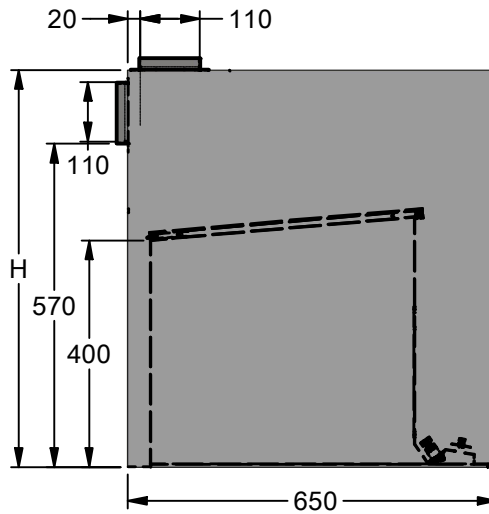
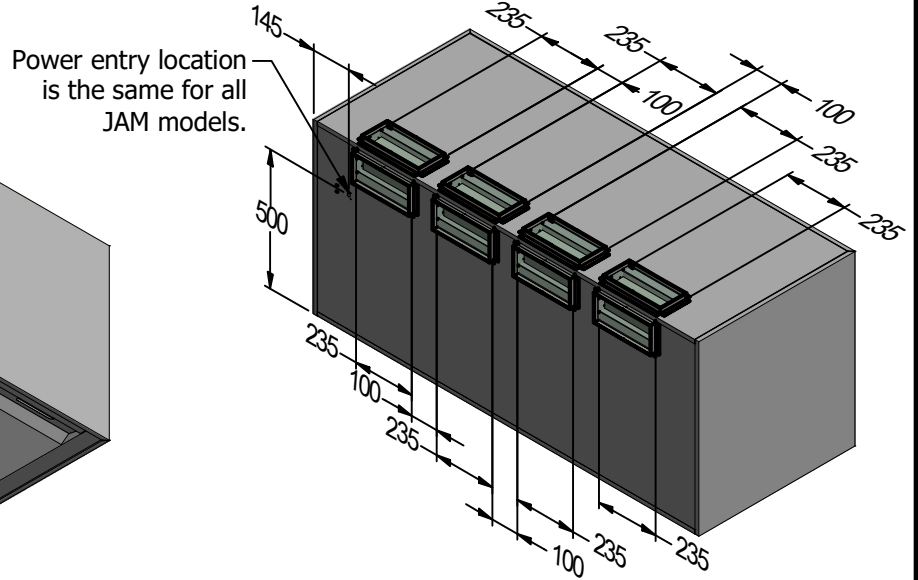
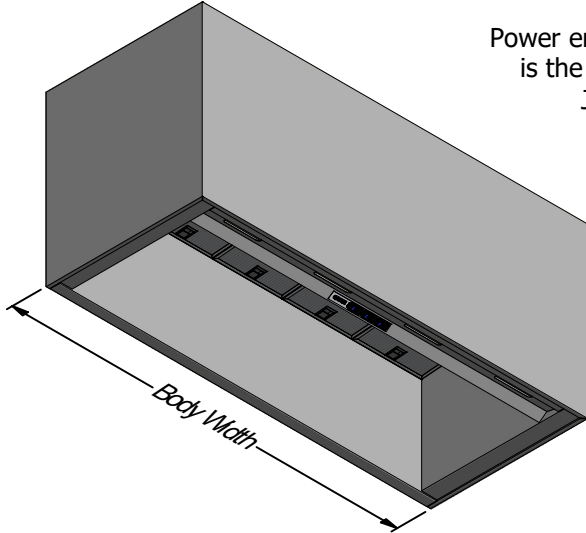


Power entry location is the same for all JAM models.



Recommended Installation height 800mm above the cooking surface of an indoor compliant open flame BBQ or high powered Cookware.

Model	JAM 1000L-2	JAM 1300L-3	Model	JAM 1000L-2	JAM 1300L-3
Body Width	1000mm	1300mm	Filter Size	290mm x 480mm	290mm x 480mm
Motor Box / Flue Width	N/A	N/A	Conversion Top/Back Back/Top	NO	NO
Motor Qty	2	3	Electrical Connection	Junction Box	Junction Box
LED Light	Cool	Cool	Minimum Height (H =)	700mm	700mm
Nightlight	YES	YES	Maximum Height (H =)	1400mm	1400mm
Light Qty	2	2	PowderKote® Available	N/A	N/A
Light Centres	580mm	580mm	All-thread Fixing Centres	N/A	N/A
Filter Qty	3	4	Corner Type	Square	Square
WM-xy** Series			Condari Pty Ltd.	Version: D 04/10/2021F	Page 1 of 2



Recommended Installation height 800mm above the cooking surface of an indoor compliant open flame BBQ or high powered Cookware.

Model	JAM 1600L-4	Model	JAM 1600L-4
Body Width	1600mm	Filter Size	290mm x 480mm
Motor Box / Flue Width	N/A	Conversion Top/Back Back/Top	NO
Motor Qty	4	Electrical Connection	Junction Box
LED Light	Cool	Minimum Height (H =)	700mm
Nightlight	YES	Maximum Height (H =)	1400mm
Light Qty	4	PowderKote® Available	N/A
Light Centres	375mm	All-thread Fixing Centres	N/A
Filter Qty	5	Corner Type	Square
WM-xy** Series		Condari Pty Ltd.	Version: D 04/10/2021F Page 2 of 2