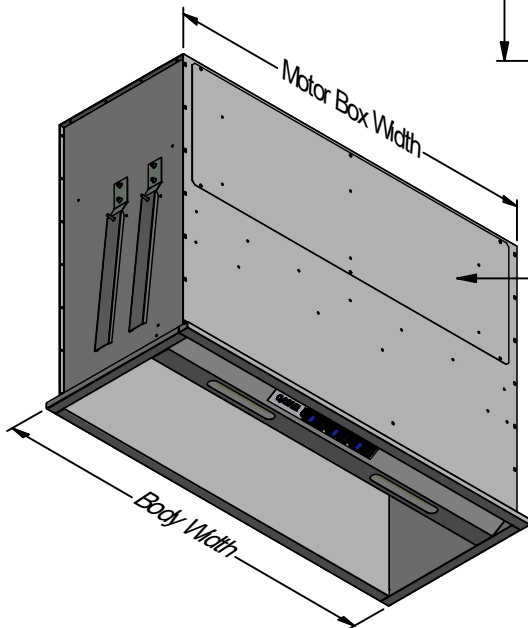
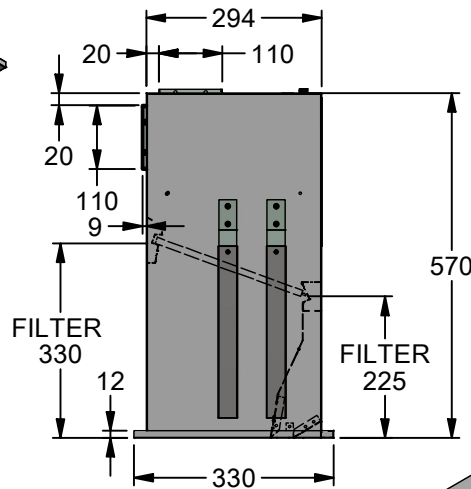
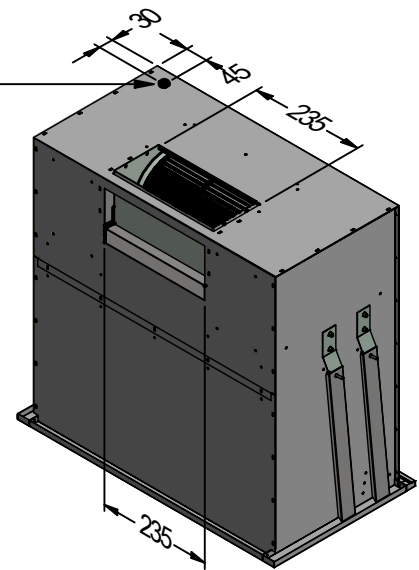
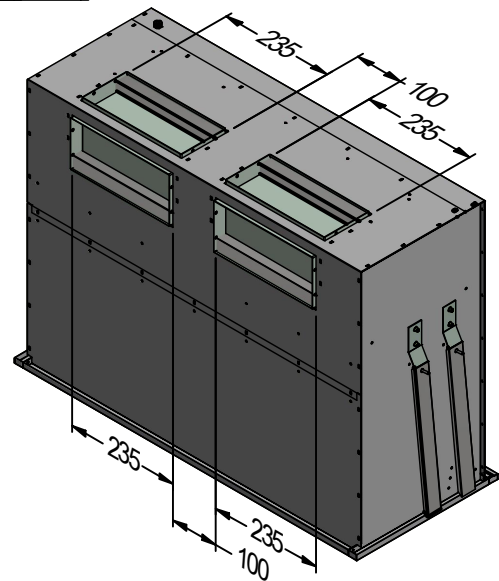


Motor Access Panel

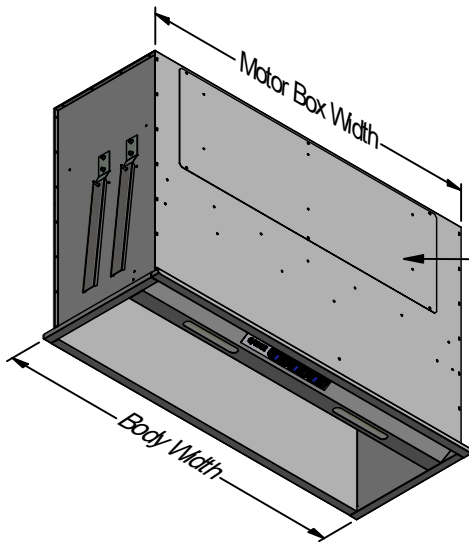
Power entry location is the same for all EAS models.



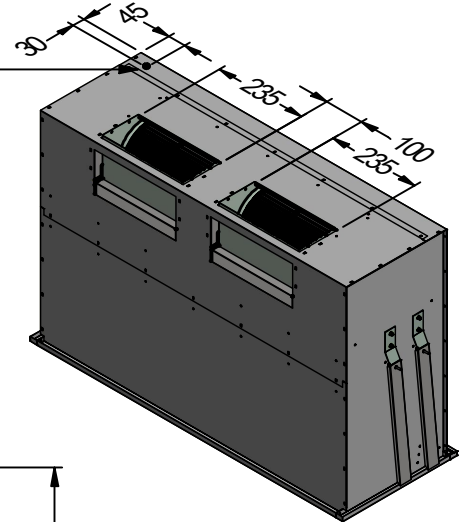
Motor Access Panel



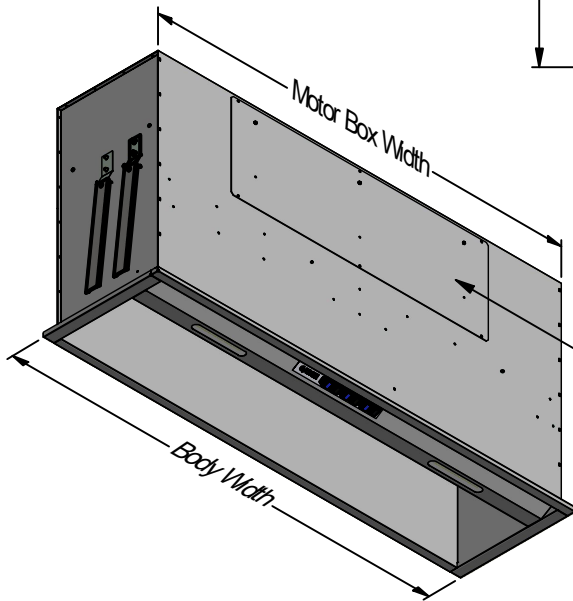
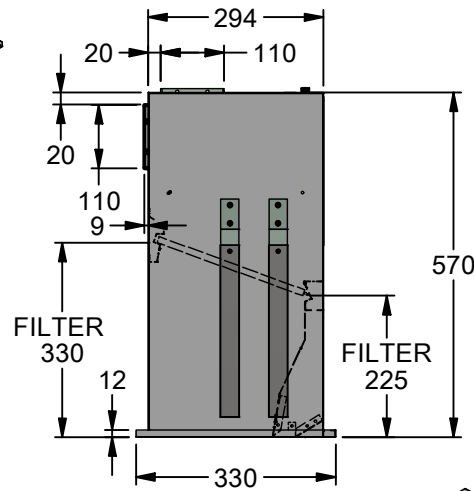
Model	EAS 60L-1	EAS 80L-2	Model	EAS 60L-1	EAS 80L-2
Body Width	600mm	800mm	Filter Size	272mm x 272mm	379mm x 260mm
Motor Box / Flue Width	565mm	780mm	Conversion Top/Back Back/Top	YES	YES
Motor Qty	1	2	Electrical Connection	10 Amp Lead	10 Amp Lead
LED Light	Cool	Cool	Minimum Height (H =)	N/A	N/A
Nightlight	YES	YES	Maximum Height (H =)	N/A	N/A
Light Qty	2	2	PowderKote® Available	N/A	N/A
Light Centres	300mm	380mm	All-thread Fixing Centres	N/A	N/A
Filter Qty	2	2	Corner Type	Square	Square
UM-xy** Series			Condari Pty Ltd.	Version: F 19/03/2021F Page 1 of 2	



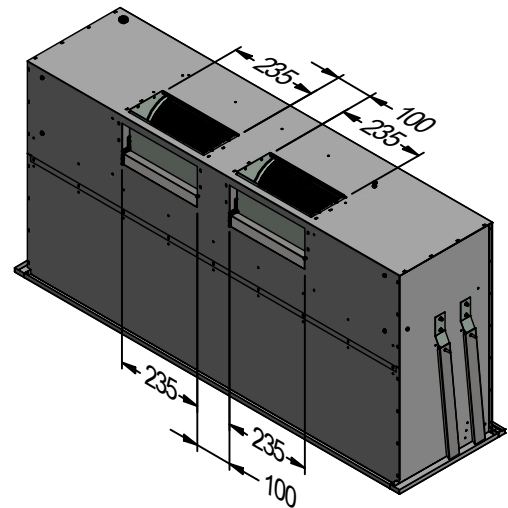
Power entry location is the same for all EAS models.



Motor Access Panel



Motor Access Panel



Model	EAS 90L-2	EAS 100L-2	EAS 120L-2	Model	EAS 90L-2	EAS 100L-2	EAS 120L-2
Body Width	900mm	1000mm	1200mm	Filter Size	429mm x 260mm	479mm x 260mm	379mm x 260mm
Motor Box / Flue Width	880mm	980mm	1160mm	Conversion Top/Back Back/Top	YES	YES	YES
Motor Qty	2	2	2	Electrical Connection	10 Amp Lead	10 Amp Lead	10 Amp Lead
LED Light	Cool	Cool	Cool	Minimum Height (H =)	N/A	N/A	N/A
Nightlight	YES	YES	YES	Maximum Height (H =)	N/A	N/A	N/A
Light Qty	2	2	2	PowderKote® Available	N/A	N/A	N/A
Light Centres	430mm	480mm	680mm	All-thread Fixing Centres	N/A	N/A	N/A
Filter Qty	2	2	3	Corner Type	Square	Square	Square
UM-xy** Series				Condari Pty Ltd.	Version: F 19/03/2021F		Page 2 of 2