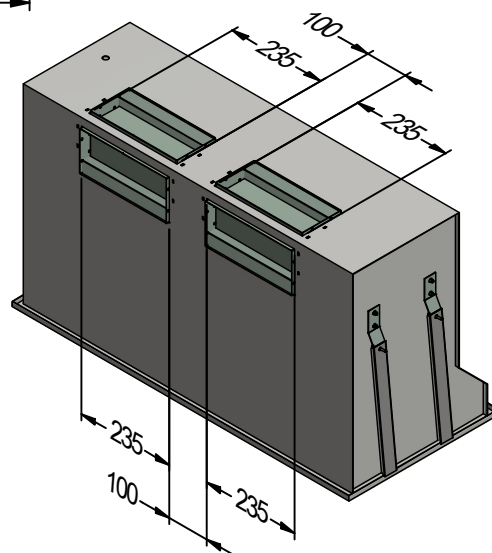
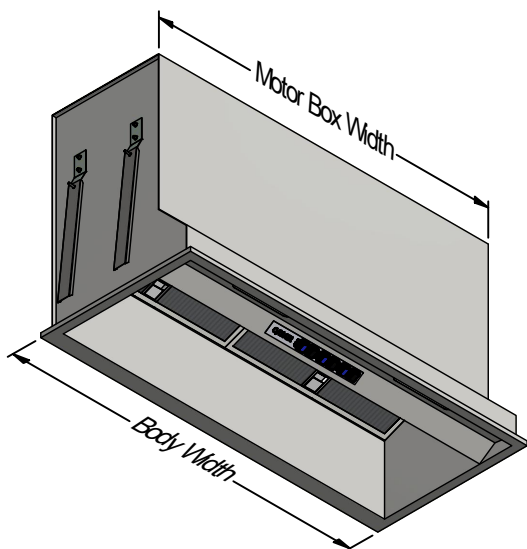
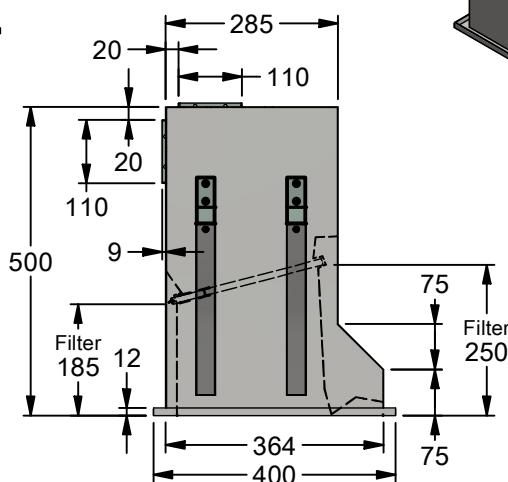
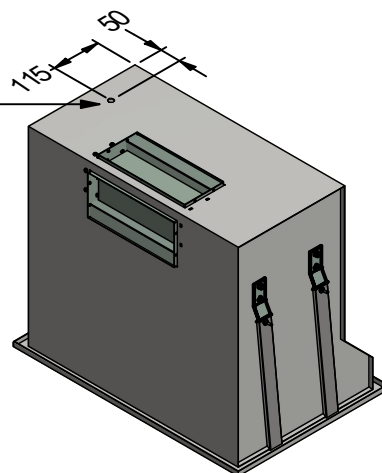
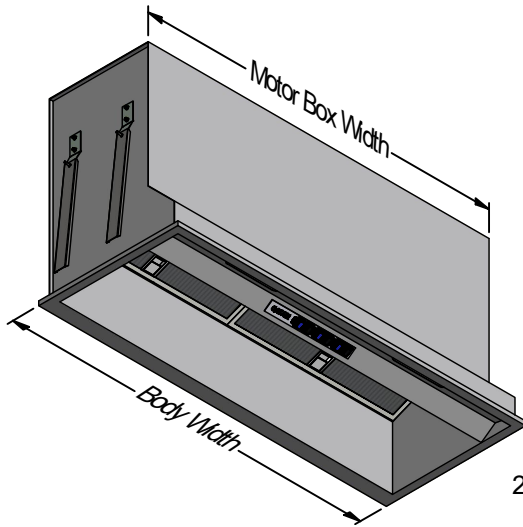


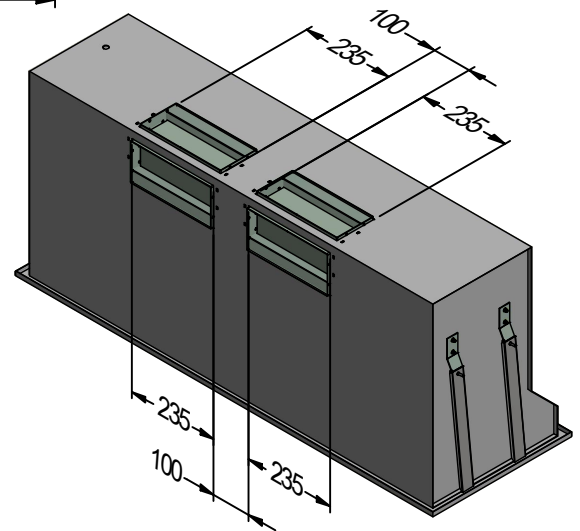
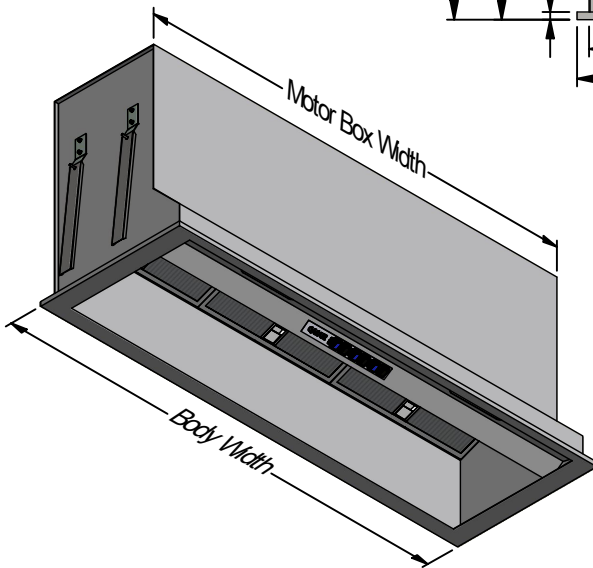
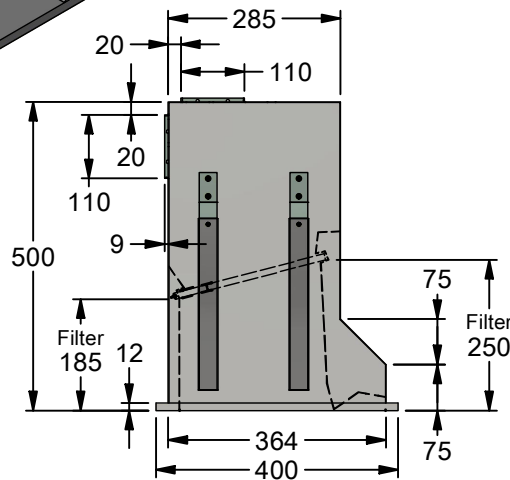
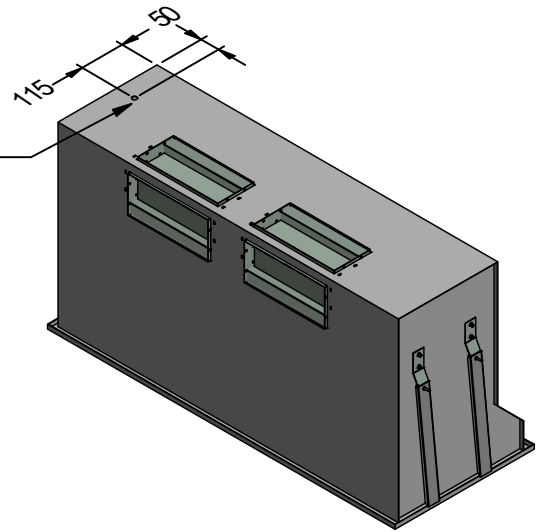
Power entry locations are the same for all GRA models.



Model	GRA 600L-1	GRA 900L-2	Model	GRA 600L-1	GRA 900L-2
Body Width	600mm	900mm	Filter Size	479mm x 260mm	429mm x 260mm
Motor Box / Flue Width	501mm	880mm	Conversion Top/Back Back/Top	YES	YES
Motor Qty	1	2	Electrical Connection	10 Amp Lead	10 Amp Lead
LED Light	Cool	Cool	Minimum Height (H =)	N/A	N/A
Nightlight	YES	YES	Maximum Height (H =)	N/A	N/A
Light Qty	2	2	PowderKote® Available	N/A	N/A
Light Centres	280mm	430mm	All-thread Fixing Centres	N/A	N/A
Filter Qty	1	2	Corner Type	Square	Square
UM-xy** Series			Condari Pty Ltd.	Version: D 01/10/2021F	Page 1 of 2



Power entry locations are the same for all GRA models.



Model	GRA 1000L-2	GRA 1200L-2	Model	GRA 1000L-2	GRA 1200L-2
Body Width	1000mm	1200mm	Filter Size	479mm x 260mm	379mm x 260mm
Motor Box / Flue Width	981mm	1161mm	Conversion Top/Back Back/Top	YES	YES
Motor Qty	2	2	Electrical Connection	10 Amp Lead	10 Amp Lead
LED Light	Cool	Cool	Minimum Height (H =)	N/A	N/A
Nightlight	YES	YES	Maximum Height (H =)	N/A	N/A
Light Qty	2	2	PowderKote® Available	N/A	N/A
Light Centres	480mm	600mm	All-thread Fixing Centres	N/A	N/A
Filter Qty	2	3	Corner Type	Square	Square
UM-xy** Series			Condari Pty Ltd.	Version: D 01/10/2021F	Page 2 of 2