



MADE IN AUSTRALIA

 **QASAIR**[®]
RANGEHOODS
AUSTRALIAN



Biasol and James Morgan Photography
@biasolstudio @morgophoto

MADE IN

RINGWOOD

3134

Since 1972, Qasair Rangehoods have been manufactured in Australia to ensure all the by-products of cooking are removed from the kitchen.

Qasair Rangehoods provides the perfect result over all domestic cookware available in Australia.



PIONEERS IN RANGEHOODS

- First to introduce all-metal motors
- First to use four pole motors, combining high air movement with low noise level
- First to manufacture rangehoods from 0.9mm stainless steel
- First to introduce dishwasher-safe filters
- First to provide non-flammable duct pieces
- First to ensure that duct pieces are the right size for the air movement
- First to manufacture rangehoods which work correctly over induction cooktops to eliminate condensation
- First to make rangehoods in stainless steel type 304 – non-magnetic



QASAIR MOTOR

The Qasair motor is manufactured exclusively for Qasair Rangehoods. It is a four pole, all-metal motor, and is completely sealed. It combines an exceptionally high air movement with a very low noise output.



MEGASORBER P FIREPROOF ACOUSTIC PANEL

Megasorber P is sound absorption material consisting of a patented acoustically tuned fireproof sound-absorbing Soundmesh G8 (Australian Patent No. 2009206497). It is fireproof and designed for maximum noise absorption at low to mid frequencies.



QASAIR FILTERS

Qasair filters have eight layers of metal to capture small and large grease particles. They are dishwasher-safe.



QASAIR LED LIGHTS

Qasair utilises energy-efficient LED lights with an estimated lifespan of 60,000 hours. They are 6.7 watts and available in either cool or warm, as shown above.



QASAIR DUCTING

All Qasair ducting is CAD-designed. It is all-metal and manufactured from zinc alume. It is non-flammable.



QASAIR WALL VENTS

Qasair wall vents and roof cowls are made from type 445M2 stainless steel for installations in seaside areas. This steel contains 22% chromium and 1% molybdenum, so it is far more resistant to corrosion and therefore has a greater lifespan than type 304 or marine grade stainless steel.

Qasair saved my home



The fire took place Saturday evening 28th January at approx 8pm while we were out for a walk.

There was a pot boiling meat on the right hand burner and while we were out the water evaporated and the pot caught fire.

The rangehood was on and luckily sucked all the smoke and fire out the vent. The vent was a solid duct as recommended by your company.

The fire brigade attended and put out the fire, after being alerted by my neighbors.

I was informed by the fire officers that if the rangehood was not on and the ducting was not solid as was the case, that the flexible ducting would have failed and the stud frame would have caught fire

we were very lucky we installed this unit as recommended.

Nicholas Nicolaou

TESTING AT THE CSIRO

Qasair Rangesoods have an air movement from 900 cubic metres up to 2700 cubic metres of air per hour

One motor 900 cubic metres of air per hour

Two motors 1800 cubic metres of air per hour

Three motors 2700 cubic metres of air per hour

Wok burners 15 megajoule and over – fish burner – electric grillers – Asian and Indian cooking, and hot plates over 1000 mm wide.

Qasair Rangesoods have consulted with the **CSIRO** over many years – Consequently, we are at the forefront of design for efficiency.

Starting in December 1990, Qasair Rangesoods were tested for air performance. The results were well above the requirements of the Australian Standard AS 2682-1984. Over time, the performance of our motors has improved even more.

Reports undertaken by the CSIRO include:

- **Air Performance Test** – on Qasair Rangesoods, 1990;
- **Evaluation of Capture Efficiencies** – 1994;
- **The Quiet Kitchen** – 2000;
- **The Quiet Kitchen** – 2001;
- **The Quiet Kitchen** – July 2002;
- **Performance of 1m** – Cupboard kitchen Rangehood associated duct fitting losses, 2003;
- **Report of Laboratory** – Measurement of sound power level, 2007.



DESIGNED TO WORK

Qasair Rangehoods are designed to remove the four by-products of cooking:

- **HEAT.** It consists of expanded air molecules which move rapidly in both an upward and outward pattern;
- **STEAM.** The act of heating expands water molecules almost 1800 times, as they become steam. As this vapour escapes, it carries grease and odours which are absorbed into clothing, walls and furnishings;
- **GREASE.** Vapourised cooking grease is the major problem created by cooking. This grease is an organic matter which settles on every surface and causes discolouration and an unsightly mess;
- **ODOURS.** These cling to walls and furnishings, and this problem can only be resolved by ducting to the outside atmosphere.

Qasair Rangehoods feature the two necessary factors:

- Unequaled performance with high air movement;
- Extremely low noise level.

With correct product selection and installation of both rangehood and ducting, the final outcome will be a quiet, clean, odour-free kitchen.



FOUNDATION FOR EXCELLENCE

Qasair Rangehoods are Australia's premium rangehood.

We also export to New Zealand and South East Asia.

Made in Australia, Qasair has the unique capability to manufacture bespoke rangehoods to meet every design requirement.

The premium quality, flexibility of design and exceptional performance of our product ensures that Qasair Rangehoods are featured in the finest homes and developments in Australia and beyond.

Qasair is committed to maintaining exceptional functionality while continuing to reduce noise levels and thus maintain its position at the forefront of innovation and design.

Qasair Rangehoods are proud to be the only wholly Australian owned and manufactured rangehood in Australia.

Qasair Rangehoods are manufactured in Ringwood 3134

RECOMMENDATIONS

Qasair Rangehoods recommend an installation height of between 600 mm to 800 mm over the cooktop.

When a rangehood is installed in a galley-style or partially enclosed kitchen, the installation height may be increased to 1000 mm,

When a rangehood is installed in an island situation, the installation height should not exceed 800 mm.

Qasair canopy-style and undermount rangehoods may be installed at a minimum of 650 mm above the trivet of a gas cooktop,

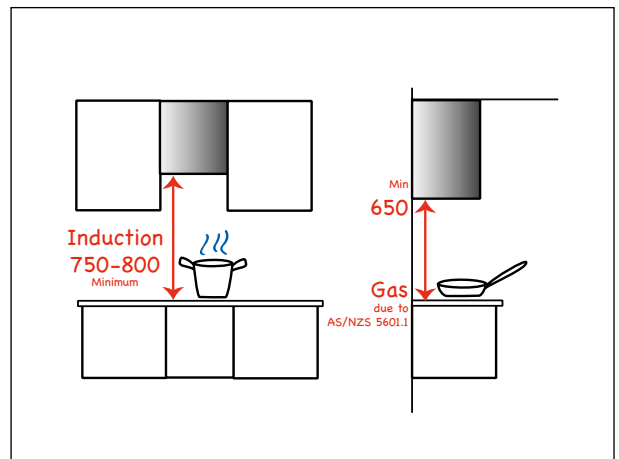
When installing **any** Qasair Rangehood over an induction cooktop, the minimum installation height must be 750 mm.

There are some appliances which have open-flame grillers or barbecues. In this case, Gas Regulations stipulate a minimum installation height of 1200 mm.



There is an array of new appliances being introduced in Australia, and Qasair Rangehoods are designed to work correctly over all of them.

From electric and ceramic cooktops, to induction cooktops, which require special cookware, combisets including Teppanyaki plates, wok burners, fish burners and indoor barbecues with a very high heat output, only Qasair manufacture a rangehood which provides a solution for every kitchen.



When an induction cooktop is in use, condensation may occur. This is due to the fact that there is no residual heat from the cooktop – the heat is in the pot or pan. When present, the hot steam hits the cold metal of the filters, condensation can occur, and water will drip from the hood.

Qasair Rangehoods are designed to capture all by-products of cooking produced by every domestic cooking appliance available in Australia.

'Standard' benchtops have a depth of 600 mm. If the benchtop exceeds that depth, this will need to be considered in the specification of the rangehood. This is to ensure that the selected hood has a sufficient depth to perform correctly over the cooktop.

Similarly, a 'standard' overhead cabinet is 300 mm. If the joinery is going to exceed that depth, this will need to be considered in the specification of the rangehood.

If the cooking appliance has a width of 1000 mm or above, Qasair recommends a minimum of two motors in the rangehood.

If there is a barbecue, wok burner or teppanyaki plate in the cooking appliance, Qasair recommend a minimum of two motors in the rangehood.

1 Always use the correct sized ducting, or the air movement will be reduced.

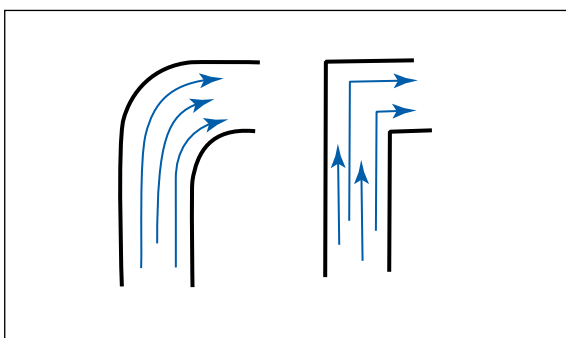
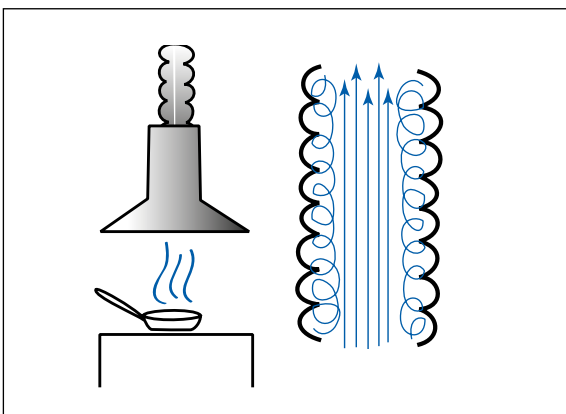
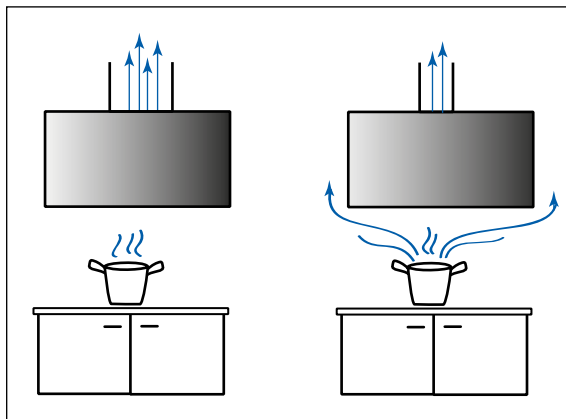
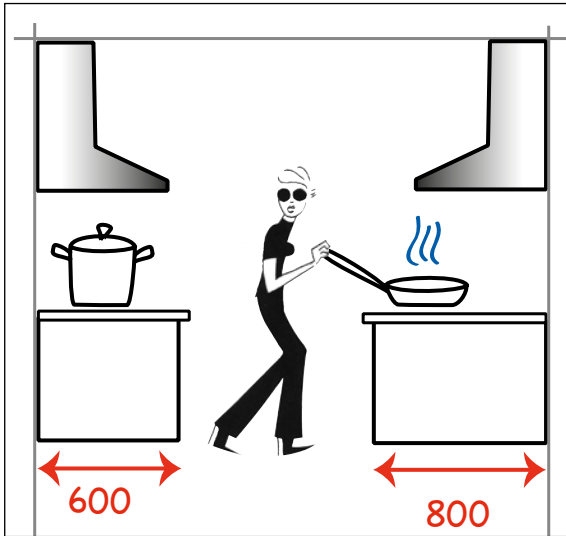
2 Always use non-flammable ducting. In the case of fire, the duct will remain intact, unlike plastic ducting which will be burnt through.

3 Never use flexible or semi-rigid ducting, as the ridges on these ducts cause eddies along the sides, creating a disturbance which can reduce the airflow by up to 50%.

4 Always duct to the outside atmosphere in the shortest distance, and with as few bends as possible. A longer duct run will result in a reduction of the air movement.

5 Always have streamlined bends. Sharp 90 degree bends will reduce the airflow by up to 25%.

6 Never duct into the ceiling – this is a fire hazard.





Under
cupboard

Wall
Mounted

Island



Foldaway

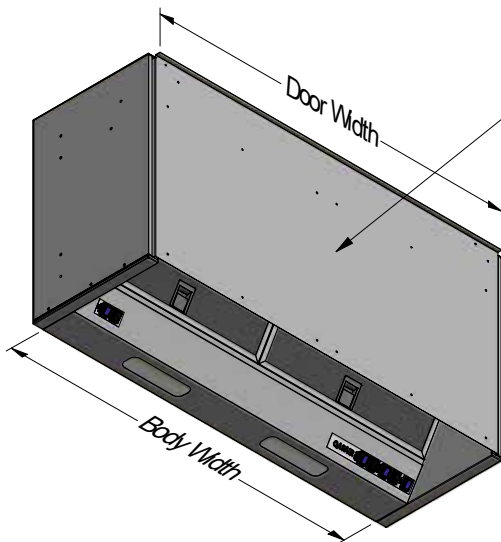
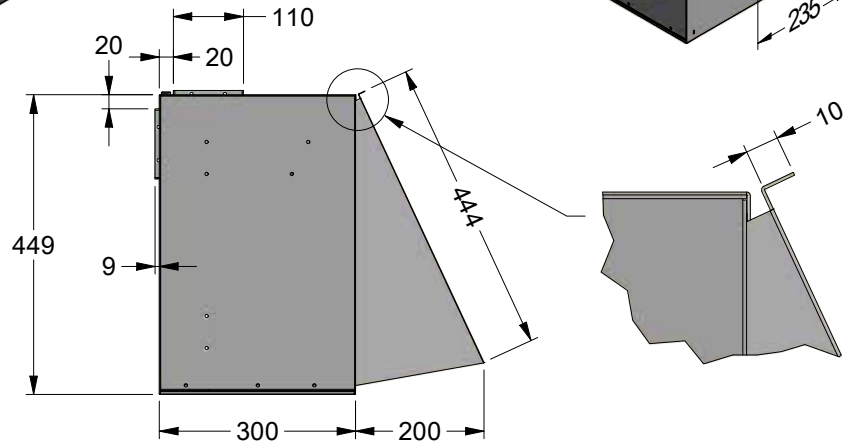
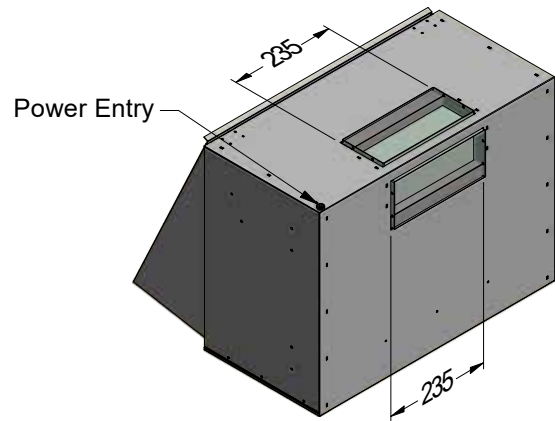
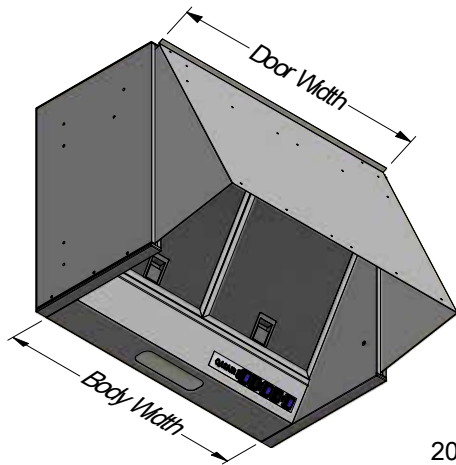
The Foldaway is the most efficient model in the undercupboard range, with a fold out front.

The model is 300mm deep with an extra 200mm when the fold is pulled out and is available with one or two motors.

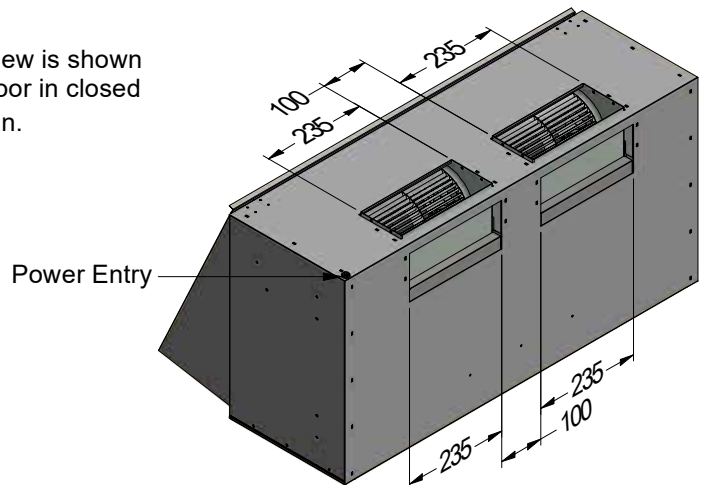
The front is designed to incorporate a cabinet panel for total integration with the kitchen and is hinged so that the front folds out over the cooking area – trapping all steam, grease and odours.

This is easily done with Qasair's exclusive posmec hinges which when opening the rangehood automatically activates the fans and lights. However, it can also be operated manually by a simple switch so it will also work in the closed position.

The switching and lights are located at the back of the model. Available in 600mm and 900mm width.



This view is shown with door in closed position.



Model	FA 60L-1	FA 90L-1	FA 90L-2	Model	FA 60L-1	FA 90L-1	FA 90L-2
Body Width	598mm	898mm	898mm	Filter Size	274mm x 290mm	424mm x 290mm	424mm x 290mm
Door Width	573.4mm	873.4mm	873.4mm	Conversion Top/Back Back/Top	YES	YES	YES
Motor Qty	1	1	2	Electrical Connection	10 Amp Lead	10 Amp Lead	10 Amp Lead
LED Light	Cool	Cool	Cool	Minimum Height (H =)	N/A	N/A	N/A
Nightlight	YES	YES	YES	Maximum Height (H =)	N/A	N/A	N/A
Light Qty	1	2	2	Coating Available	N/A	N/A	N/A
Light Centres	Centre	350mm	350mm	All-thread Fixing Centres	N/A	N/A	N/A
Filter Qty	2	2	2	Corner Type	Square	Square	Square
ACFALR				Condari Pty Ltd.	Version: E 06/10/2022F	Page 1 of 1	

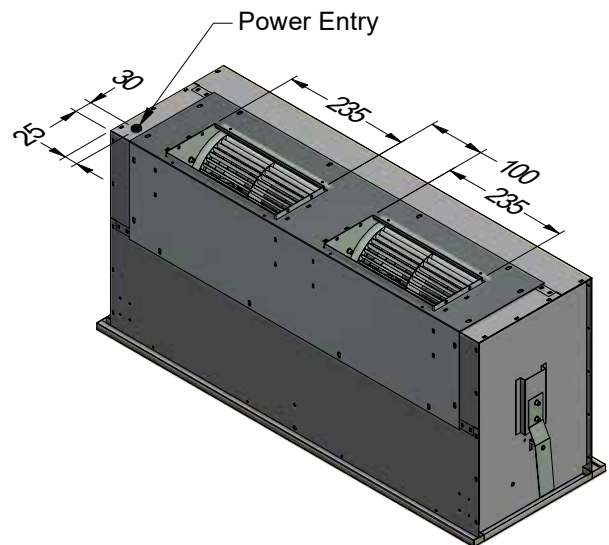
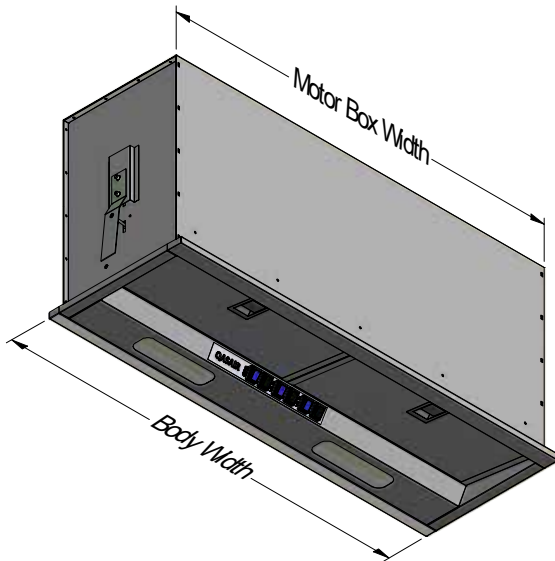
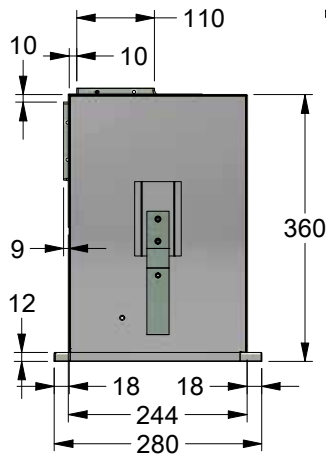
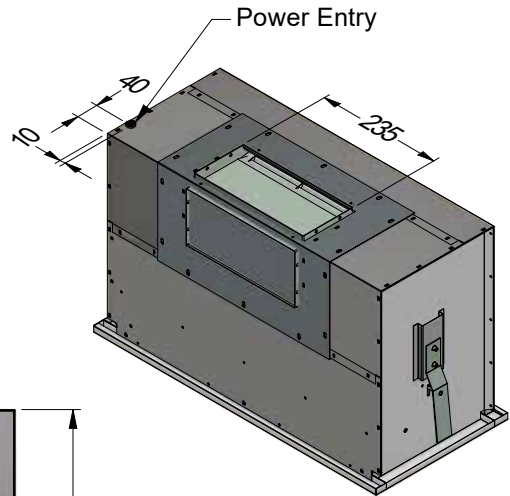
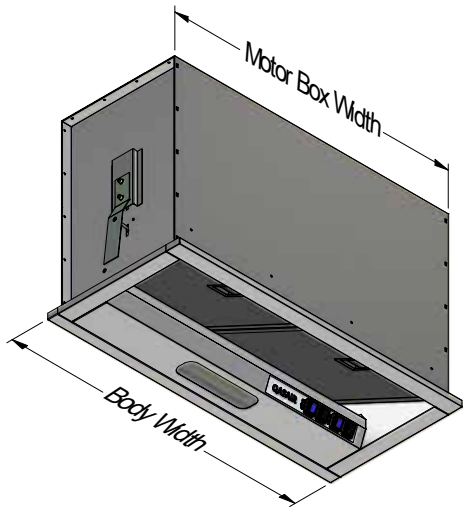


Conley

The Conley model is 280mm deep and available in either one or two motors. This provides an air movement of 900 cubic metres per hour for a single motor and 1800 cubic metres per hour for a twin motor.

The lighting and switches are located at the back of the rangehood.

Available in 600mm and 800mm widths.



Model	CON 60L-1	CON 80L-1	CON 80L-2	Model	CON 60L-1	CON 80L-1	CON 80L-2
Body Width	600mm	800mm	800mm	Filter Size	269mm x 250mm	379mm x 157mm	379mm x 157mm
Motor Box / Flue Width	580mm	780mm	780mm	Conversion Top/Back Back/Top	YES	YES	YES
Motor Qty	1	1	2	Electrical Connection	10 Amp Lead	10 Amp Lead	10 Amp Lead
LED Light	Cool	Cool	Cool	Minimum Height (H =)	N/A	N/A	N/A
Nightlight	YES	YES	YES	Maximum Height (H =)	N/A	N/A	N/A
Light Qty	1	2	2	Coating Available	N/A	N/A	N/A
Light Centres	Centre	379mm	379mm	All-thread Fixing Centres	N/A	N/A	N/A
Filter Qty	2	2	2	Corner Type	Square	Square	Square
ACULR				Condari Pty Ltd.	Version: E 06/10/2022F		Page 1 of 1

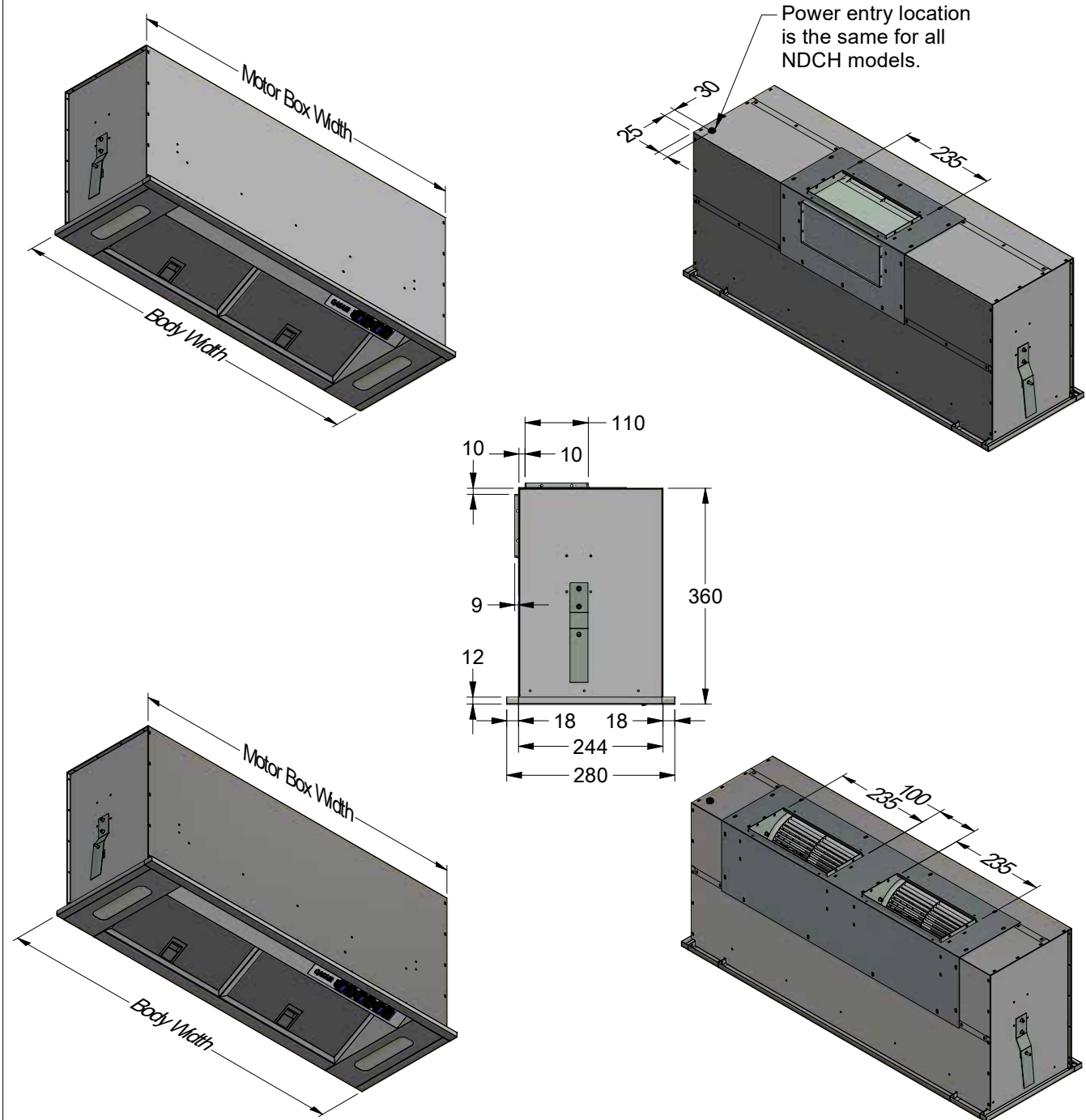


Undermount

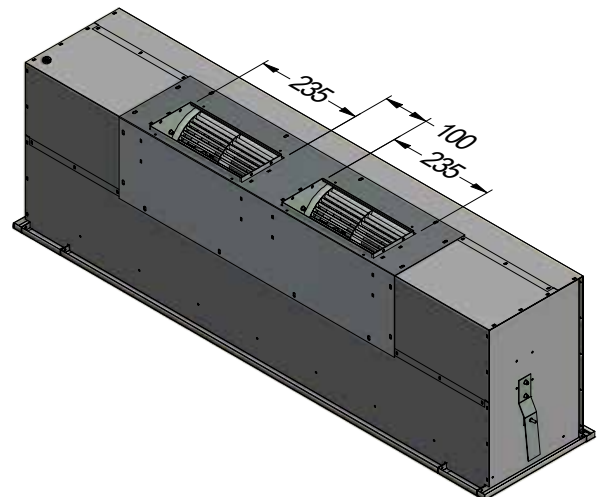
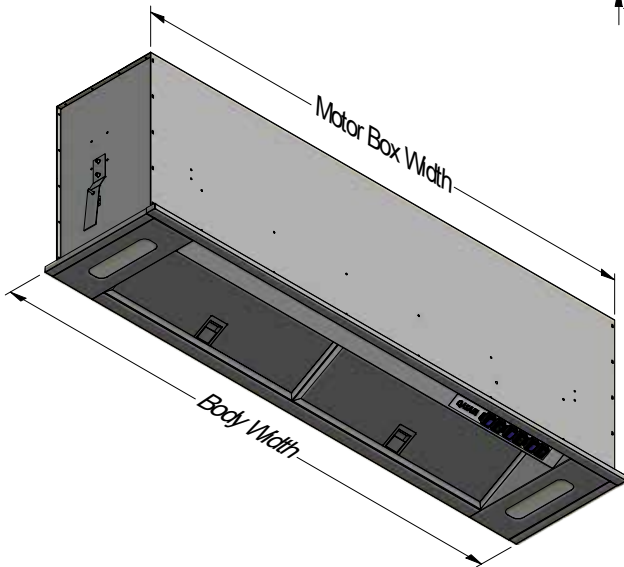
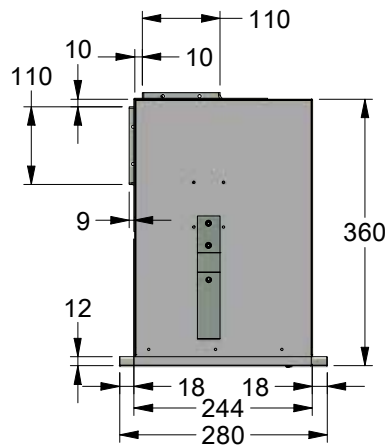
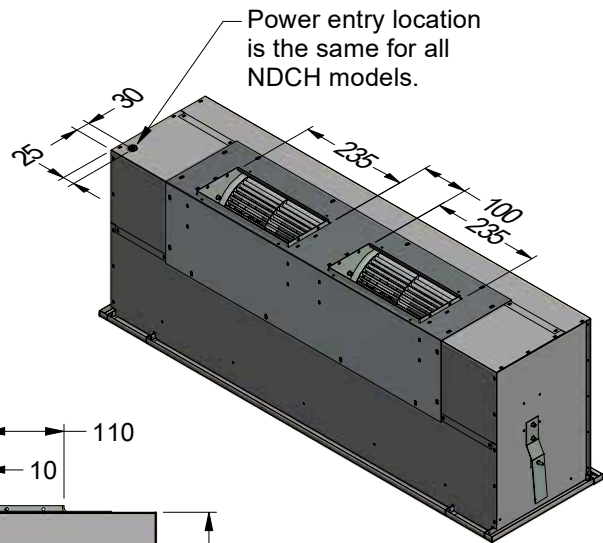
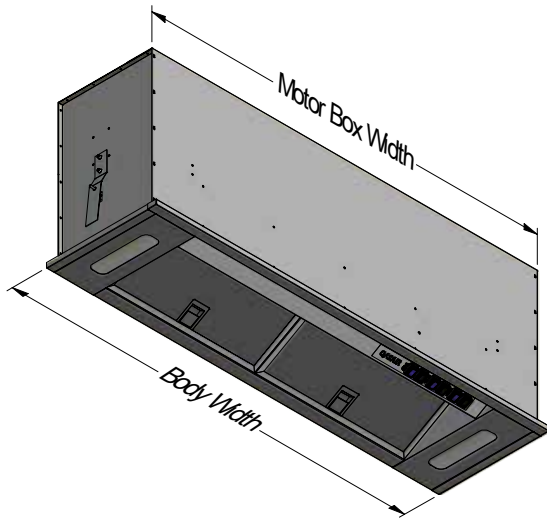
The Undermount (NDCH) model is 280mm deep and available with one or two motors.

The switches are located at the front of the rangehood and the lights at the sides.

Available in 900mm, 1000mm & 1200mm widths



Model	NDCH 90L-1	NDCH 90L-2	Model	NDCH 90L-1	NDCH 90L-2
Body Width	900mm	900mm	Filter Size	340mm x 260mm	340mm x 260mm
Motor Box / Flue Width	880mm	880mm	Conversion Top/Back Back/Top	YES	YES
Motor Qty	1	2	Electrical Connection	10 Amp Lead	10 Amp Lead
LED Light	Cool	Cool	Minimum Height (H =)	N/A	N/A
Nightlight	YES	YES	Maximum Height (H =)	N/A	N/A
Light Qty	2	2	Coating Available	N/A	N/A
Light Centres	770mm	770mm	All-thread Fixing Centres	N/A	N/A
Filter Qty	2	2	Corner Type	Square	Square
ACULR			Condari Pty Ltd.	Version: E 06/10/2022F Page 1 of 2	



Model	NDCH 100L-2	NDCH 120L-2	Model	NDCH 100L-2	NDCH 120L-2
Body Width	1000mm	1200mm	Filter Size	379mm x 260mm	479mm x 260mm
Motor Box / Flue Width	980mm	1180mm	Conversion Top/Back Back/Top	YES	YES
Motor Qty	2	2	Electrical Connection	10 Amp Lead	10 Amp Lead
LED Light	Cool	Cool	Minimum Height (H =)	N/A	N/A
Nightlight	YES	YES	Maximum Height (H =)	N/A	N/A
Light Qty	2	2	Coating Available	N/A	N/A
Light Centres	860mm	1060mm	All-thread Fixing Centres	N/A	N/A
Filter Qty	2	2	Corner Type	Square	Square
ACULR			Condari Pty Ltd.	Version: E 06/10/2022F Page 2 of 2	

“Qasair has grown exponentially to keep satisfying the market with the increase and changing domestic cooking appliances and now exports to New Zealand and South East Asia. “

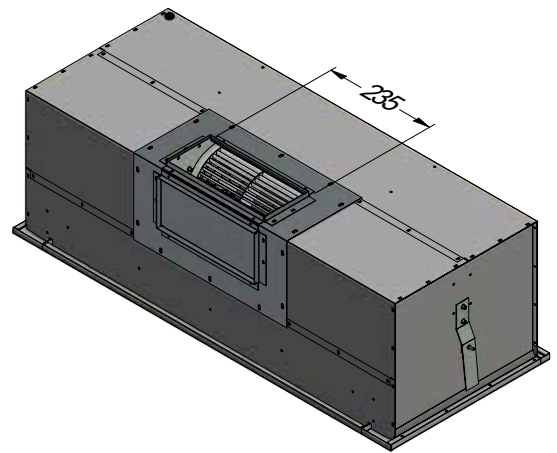
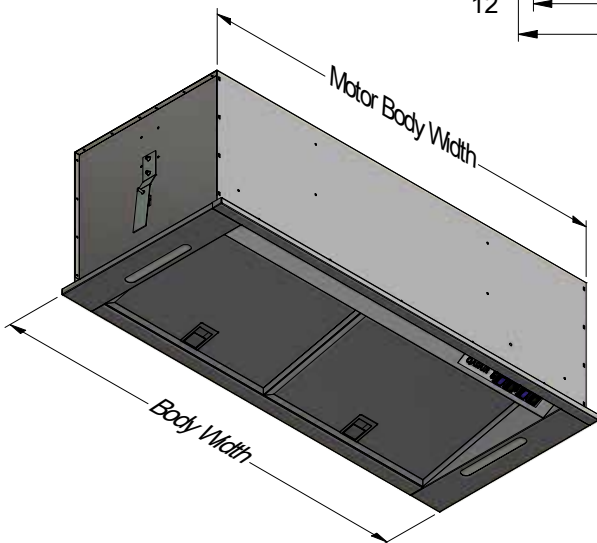
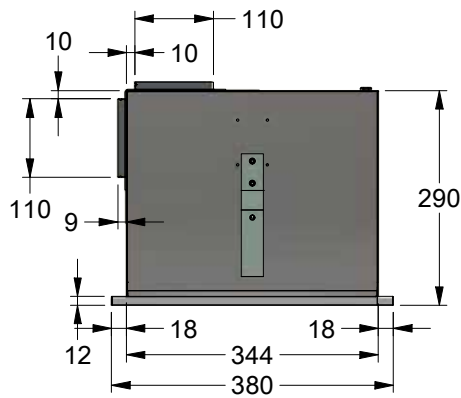
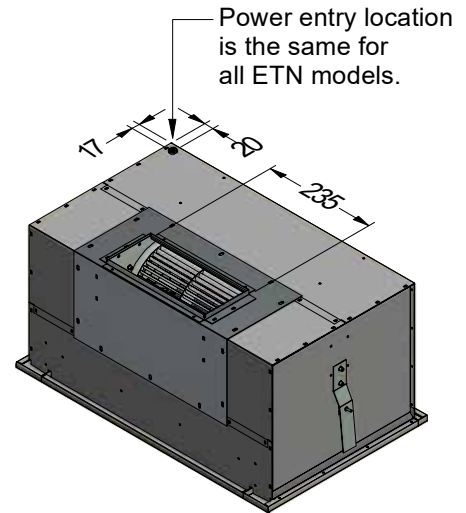
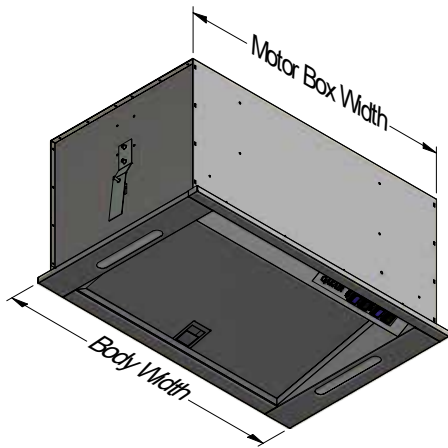


Eaton

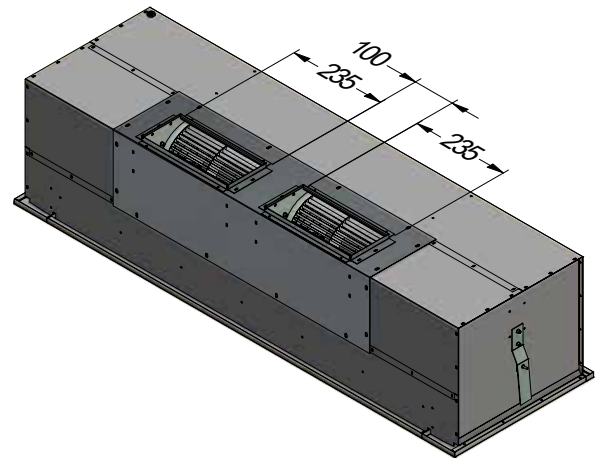
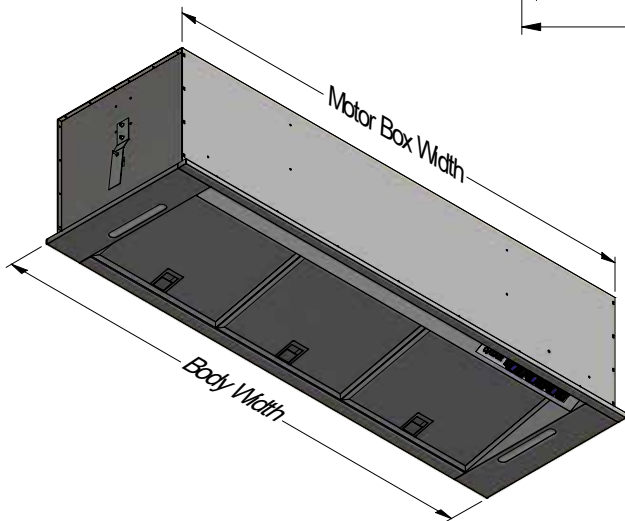
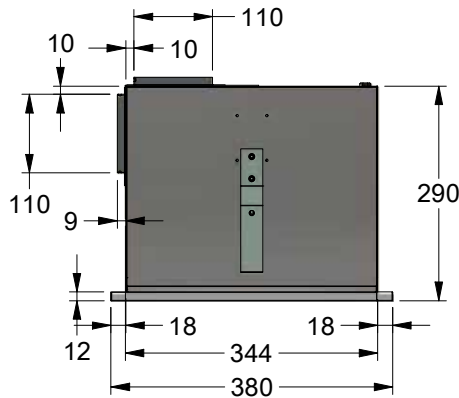
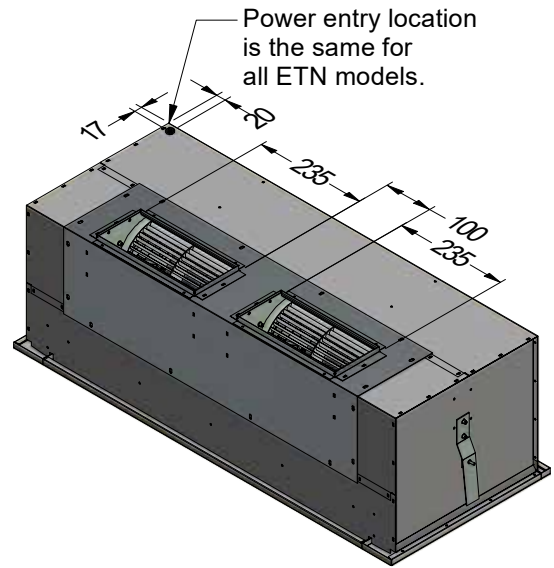
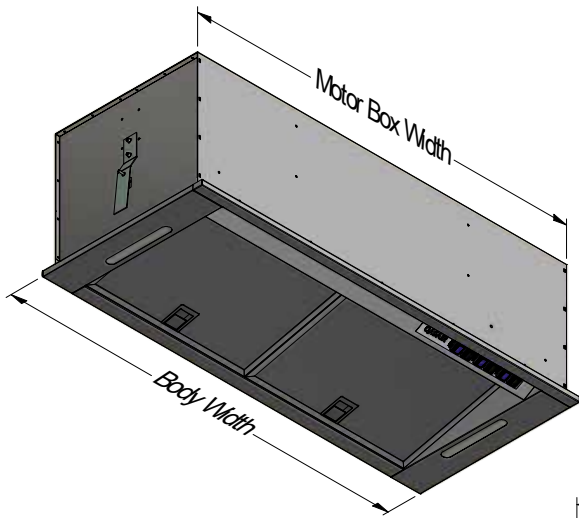
The Eaton model is 380mm deep and available with one or two motors.

The switches are located at the front of the rangehood and the lights at the sides.

Available in 600mm, 900mm & 1200mm widths.



Model	ETN 600L-1	ETN 900L-1	Model	ETN 600L-1	ETN 900L-1
Body Width	600mm	900mm	Filter Size	479mm x 290mm	379mm x 290mm
Motor Box / Flue Width	580mm	880mm	Conversion Top/Back Back/Top	YES	YES
Motor Qty	1	1	Electrical Connection	10 Amp Lead	10 Amp Lead
LED Light	Cool	Cool	Minimum Height (H =)	N/A	N/A
Nightlight	YES	YES	Maximum Height (H =)	N/A	N/A
Light Qty	2	2	Coating Available	N/A	N/A
Light Centres	520mm	800mm	All-thread Fixing Centres	N/A	N/A
Filter Qty	1	2	Corner Type	Square	Square
ACULR			Condari Pty Ltd.	Version: G 06/10/2022F Page 1 of 2	



Model	ETN 900L-2	ETN 1200L-2	Model	ETN 900L-2	ETN 1200L-2
Body Width	900mm	1200mm	Filter Size	379mm x 290mm	340mm x 290mm
Motor Box / Flue Width	880mm	1180mm	Conversion Top/Back Back/Top	YES	YES
Motor Qty	2	2	Electrical Connection	10 Amp Lead	10 Amp Lead
LED Light	Cool	Cool	Minimum Height (H =)	N/A	N/A
Nightlight	YES	YES	Maximum Height (H =)	N/A	N/A
Light Qty	2	2	Coating Available	N/A	N/A
Light Centres	800mm	1060mm	All-thread Fixing Centres	N/A	N/A
Filter Qty	2	3	Corner Type	Square	Square
ACULR			Condari Pty Ltd.	Version: G 06/10/2022F Page 2 of 2	



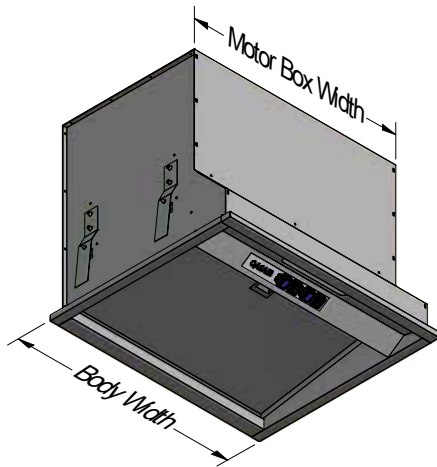


Lismore

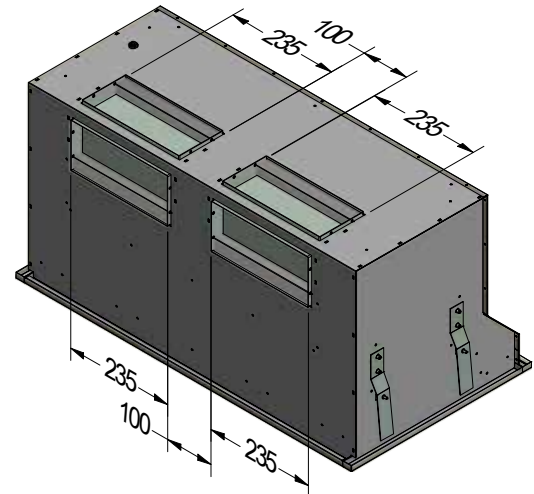
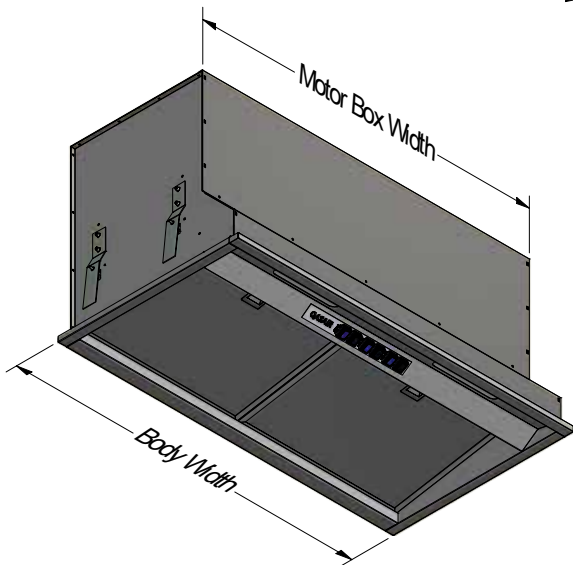
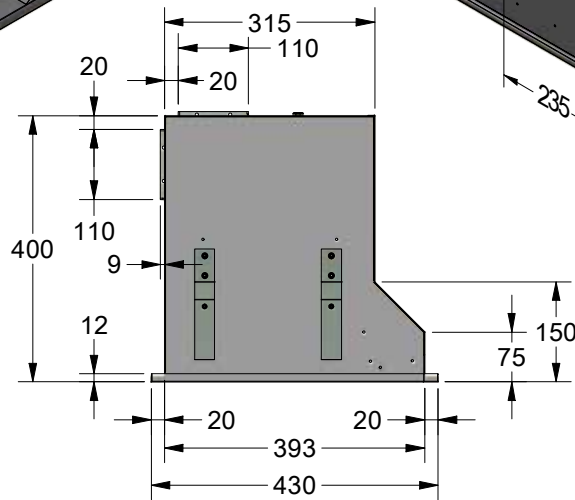
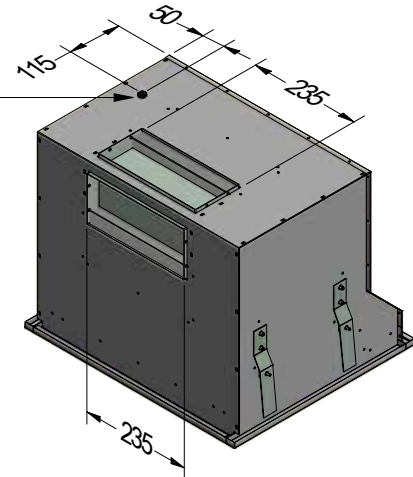
The Lismore model is 430mm deep and available with one, two or three motors.

The switches and lights are located at the front of the rangehood.

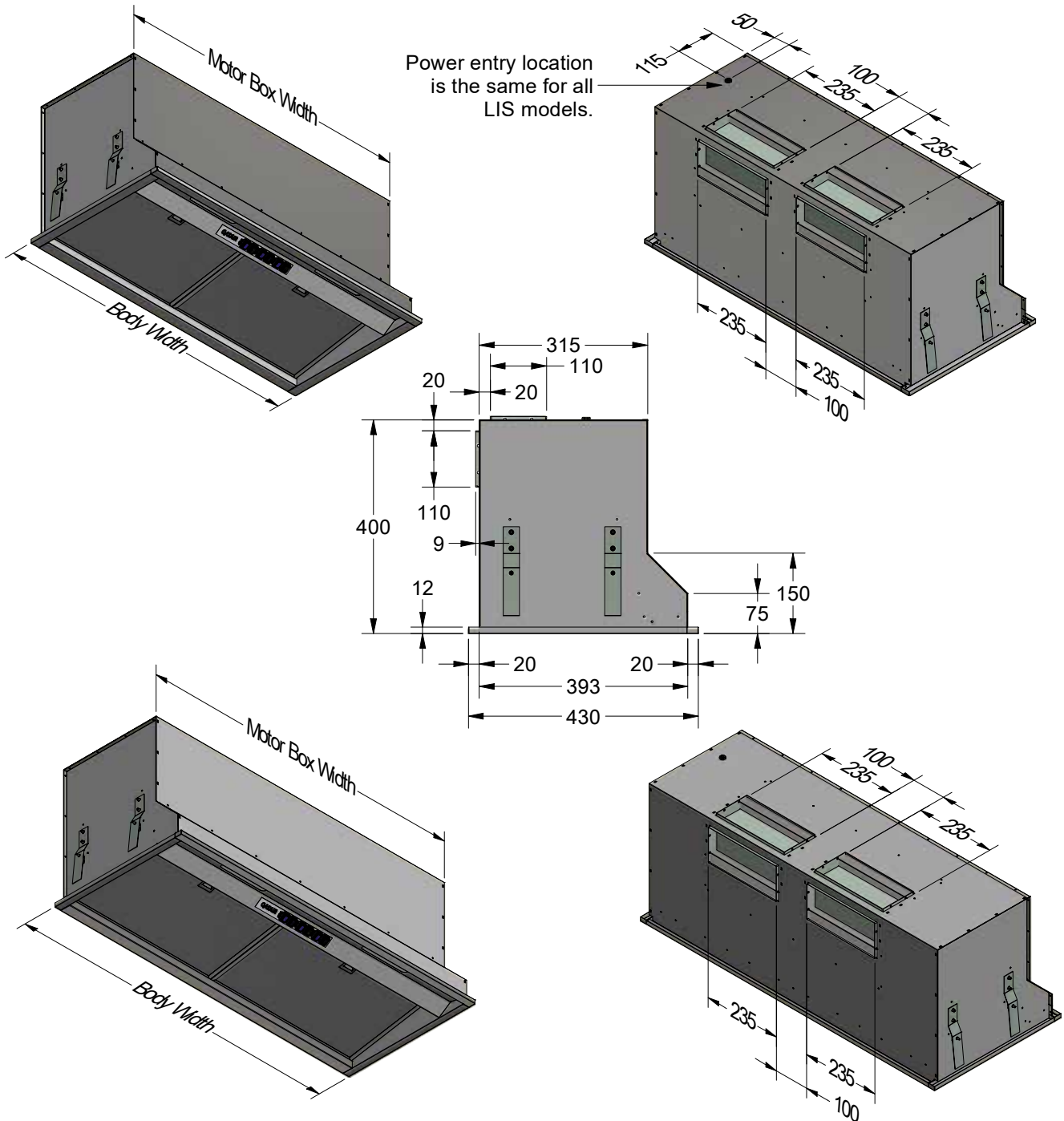
Available in 500mm, 800mm, 900mm, 1000mm, 1200mm and 1500mm widths.



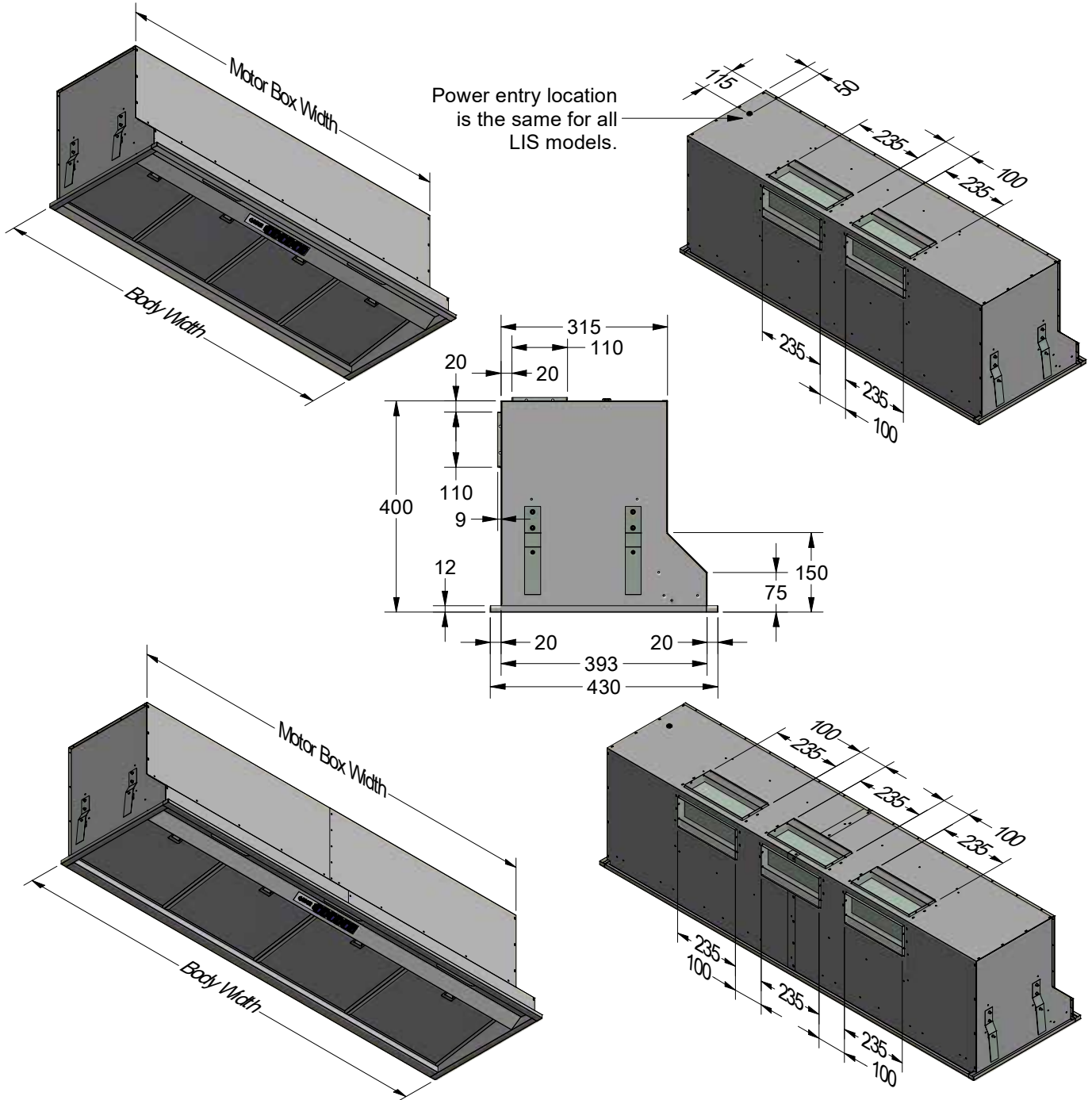
Power entry location is the same for all LIS models.



Model	LIS 500L-1	LIS 800L-1	LIS 800L-2	Model	LIS 500L-1	LIS 800L-1	LIS 800L-2
Body Width	500mm	800mm	800mm	Filter Size	459mm x 290mm	379mm x 290mm	379mm x 290mm
Motor Box / Flue Width	480mm	780mm	780mm	Conversion Top/Back Back/Top	YES	YES	YES
Motor Qty	1	1	2	Electrical Connection	10 Amp Lead	10 Amp Lead	10 Amp Lead
LED Light	Cool	Cool	Cool	Minimum Height (H =)	N/A	N/A	N/A
Nightlight	YES	YES	YES	Maximum Height (H =)	N/A	N/A	N/A
Light Qty	1	2	2	Coating Available	N/A	N/A	N/A
Light Centres	Centre	380mm	380mm	All-thread Fixing Centres	N/A	N/A	N/A
Filter Qty	1	2	2	Corner Type	Square	Square	Square
ACULR				Condari Pty Ltd.	Version: E 06/10/2022F	Page 1 of 3	



Model	LIS 900L-2	LIS 1000L-2	Model	LIS 900L-2	LIS 1000L-2
Body Width	900mm	1000mm	Filter Size	424mm x 290mm	479mm x 290mm
Motor Box / Flue Width	870mm	980mm	Conversion Top/Back Back/Top	YES	YES
Motor Qty	2	2	Electrical Connection	10 Amp Lead	10 Amp Lead
LED Light	Cool	Cool	Minimum Height (H =)	N/A	N/A
Nightlight	YES	YES	Maximum Height (H =)	N/A	N/A
Light Qty	2	2	Coating Available	N/A	N/A
Light Centres	424mm	480mm	All-thread Fixing Centres	N/A	N/A
Filter Qty	2	2	Corner Type	Square	Square
ACULR			Condari Pty Ltd.	Version: E 06/10/2022F Page 2 of 3	



Model	LIS 1200L-2	LIS 1200L-3	LIS 1500L-3	Model	LIS 1200L-2	LIS 1200L-3	LIS 1500L-3
Body Width	1200mm	1200mm	1500mm	Filter Size	290mm x 290mm	290mm x 290mm	365mm x 290mm
Motor Box / Flue Width	1180mm	1180mm	1480mm	Conversion Top/Back Back/Top	YES	YES	YES
Motor Qty	2	3	3	Electrical Connection	10 Amp Lead	10 Amp Lead	10 Amp Lead
LED Light	Cool	Cool	Cool	Minimum Height (H =)	N/A	N/A	N/A
Nightlight	YES	YES	YES	Maximum Height (H =)	N/A	N/A	N/A
Light Qty	2	2	3	Coating Available	N/A	N/A	N/A
Light Centres	580mm	580mm	452mm	All-thread Fixing Centres	N/A	N/A	N/A
Filter Qty	4	4	4	Corner Type	Square	Square	Square
ACULR				Condari Pty Ltd.	Version: E 06/10/2022F		Page 3 of 3



Under
cupboard

Wall
Mounted

Island

Pyramid



The Pyramid model is available top ducted with the flue or back ducted without as shown.

Both have a single motor providing an air movement of up to 900 cubic metres per hour.

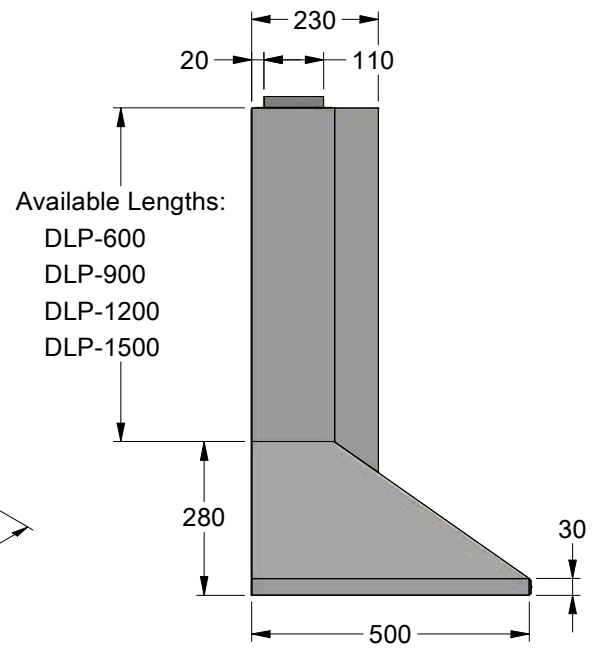
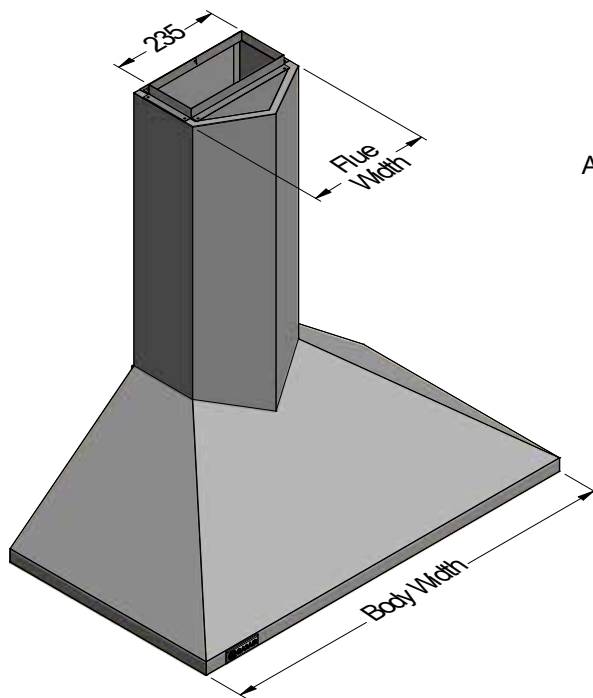
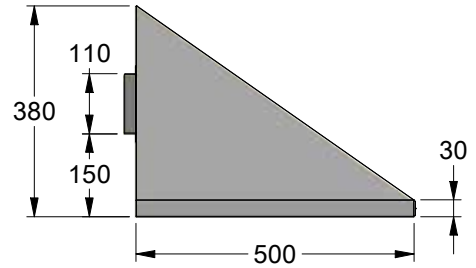
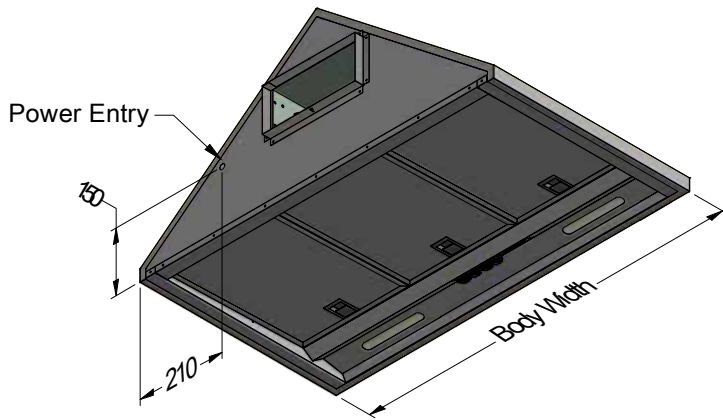
A flue can be supplied for the back ducted model if desired.

Flues for the top ducted model are available in 600mm, 900mm, 1200mm or 1500mm lengths.



Qasair

recommends that the rangehood be placed at 750 mm above the hotplate for optimum performance.



Model	PYR 900L-1	Model	PYR 900L-1
Body Width	900mm	Filter Size	272mm x 355mm
Motor Box / Flue Width	270mm	Conversion Top/Back Back/Top	NO
Motor Qty	1	Electrical Connection	Junction Box
LED Light	Cool	Minimum Height (H =)	N/A
Nightlight	YES	Maximum Height (H =)	N/A
Light Qty	2	Coating Available	N/A
Light Centres	510mm	All-thread Fixing Centres	N/A
Filter Qty	3	Corner Type	Square
ACWMLR		Condari Pty Ltd.	Version: E 10/10/2022F Page 1 of 1

Heritage

Single motor models

The Heritage 600H, 700H and 900H come with a single motor. They have a maximum air movement of 900 cubic metres of air per hour on high speed.



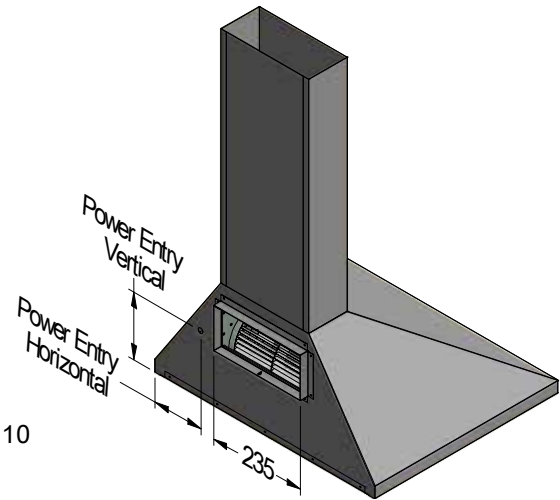
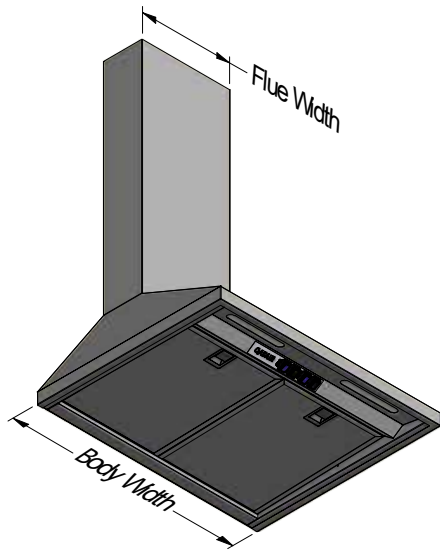
600H



700H

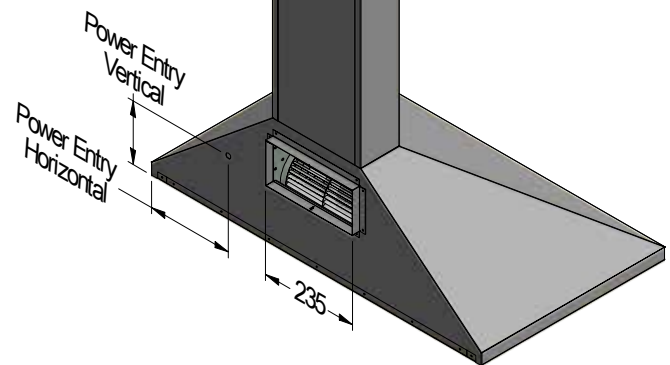
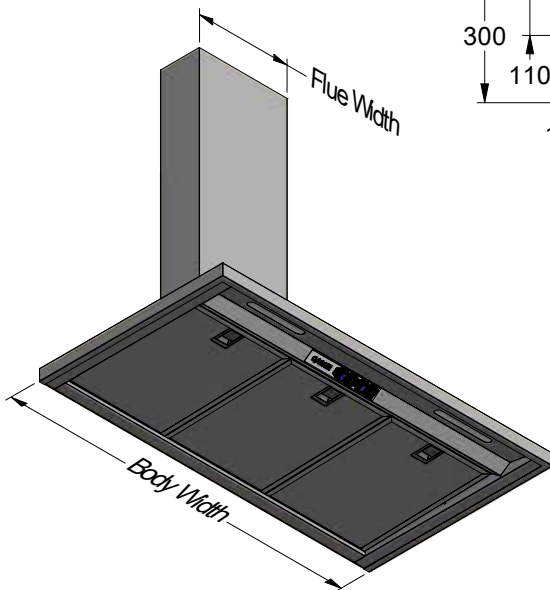
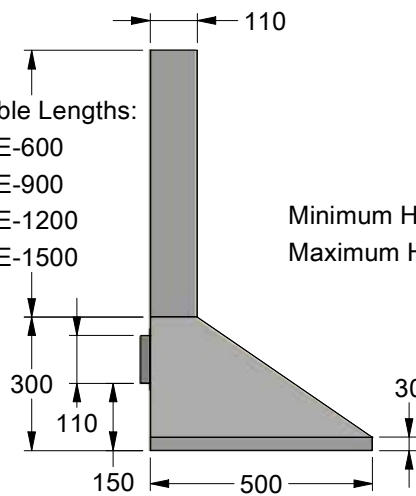


900H



Available Lengths:

 DLE-600
 DLE-900
 DLE-1200
 DLE-1500

 Minimum Height: 300mm
 Maximum Height: 1800mm


Model	600HL-1	700HL-1	900HL-1	Model	600HL-1	700HL-1	900HL-1
Body Width	600mm	700mm	900mm	Filter Size	272mm x 355mm	290mm x 355mm	272mm x 355mm
Motor Box / Flue Width	240mm	240mm	240mm	Conversion Top/Back Back/Top	NO	NO	NO
Motor Qty	1	1	1	Electrical Connection	Junction Box	Junction Box	Junction Box
LED Light	Cool	Cool	Cool	Power Entry Vertical	150mm	130mm	150mm
Nightlight	YES	YES	YES	Power Entry Horizontal	125mm	135mm	210mm
Light Qty	2	2	2	Coating Available	N/A	N/A	N/A
Light Centres	310mm	310mm	510mm	Outlet Spacing	N/A	N/A	N/A
Filter Qty	2	2	3	Corner Type	Square	Square	Square
ACWMLR				Condari Pty Ltd.	Version: J 10/10/2022F		Page 1 of 2

Heritage

Twin motor models



1000H

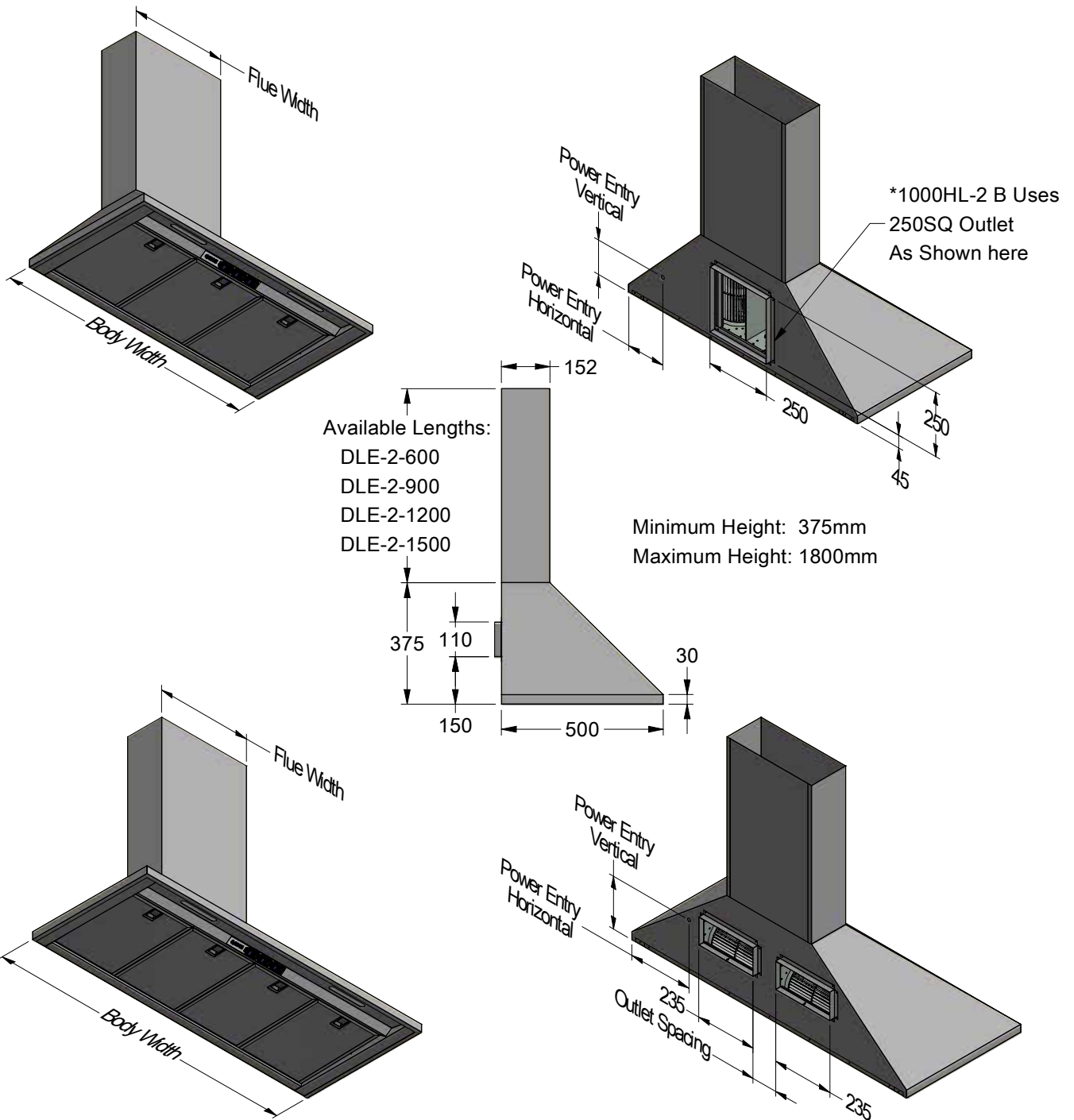


1200H

The Heritage 1000H and 1200H are fitted with two motors.

They have a maximum air movement of 1800 cubic metres of air per hour on high speed.

This is more than sufficient to effectively ventilate the kitchen and remove all odours and smoke. At the same time, the motors are so quiet that normal conversation can take place in the kitchen and around the servery.



Model	1000HL-2	1200HL-2	Model	1000HL-2	1200HL-2
Body Width	1000mm	1200mm	Filter Size	290mm x 355mm	272mm x 355mm
Motor Box / Flue Width	370mm	370mm	Conversion Top/Back Back/Top	NO	NO
Motor Qty	2	2	Electrical Connection	Junction Box	Junction Box
LED Light	Cool	Cool	Power Entry Vertical	130mm	190mm
Nightlight	YES	YES	Power Entry Horizontal	150mm	250mm
Light Qty	2	2	Coating Available	N/A	N/A
Light Centres	510mm	648mm	All-thread Fixing Centres	N/A	N/A
Filter Qty	3	4	Corner Type	Square	Square
ACWMLR			Condari Pty Ltd.	Version: J 10/10/2022F	Page 2 of 2

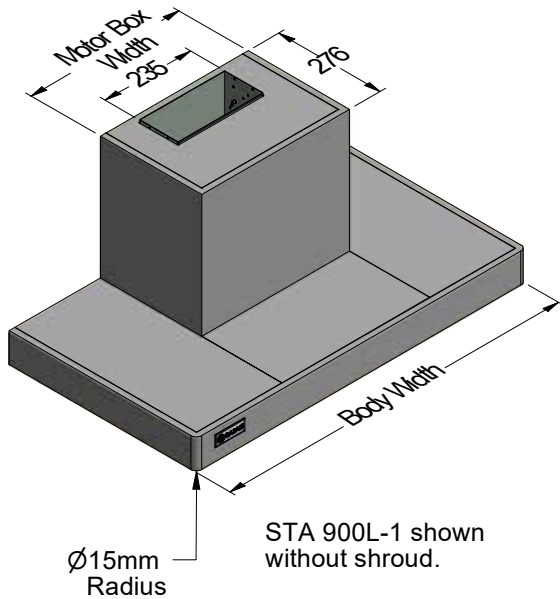


Statesman

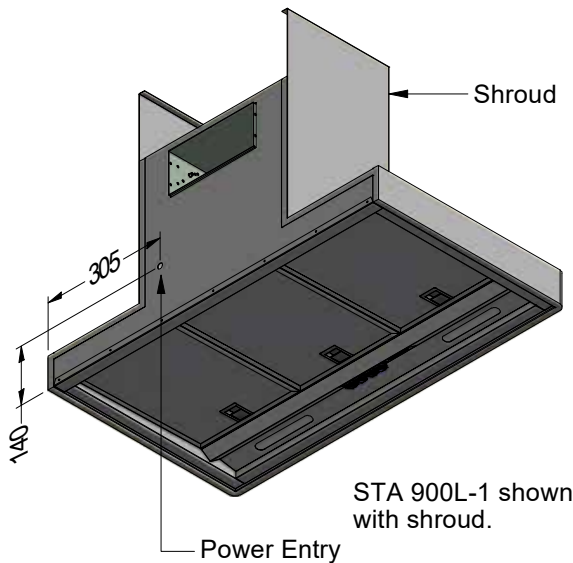
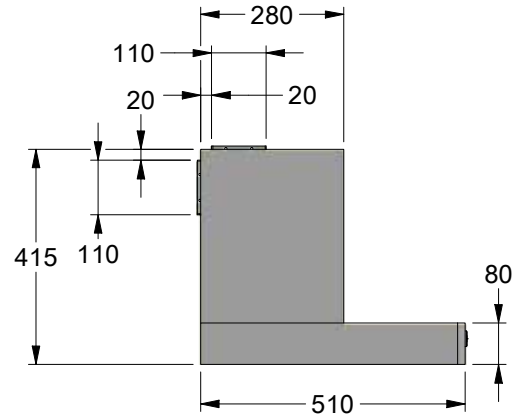
Qasair Statesman rangehood offers performance and style to suit the contemporary Australian home.

The Statesman rangehood is available in 900mm width with one or two motors and 1200mm widths with two motors.

This rangehood comes with a customised stainless steel shroud to complete the look.

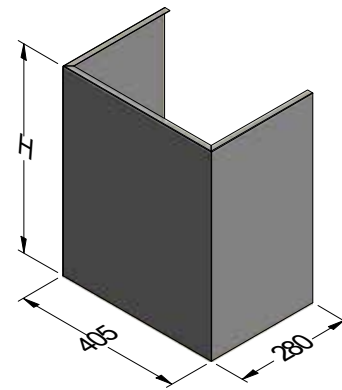


STA 900L-1 shown without shroud.



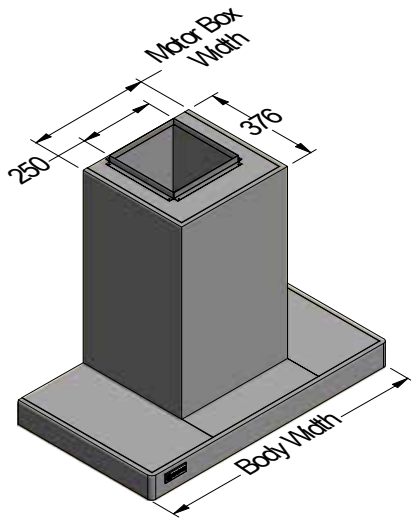
STA 900L-1 shown with shroud.

Shroud

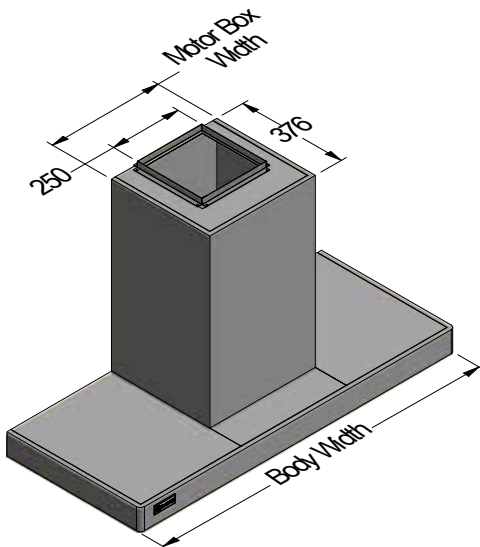
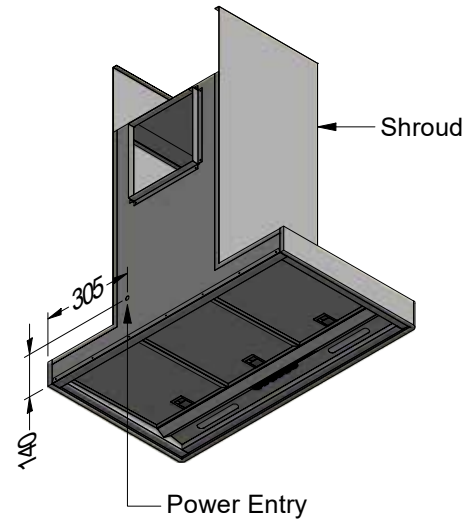
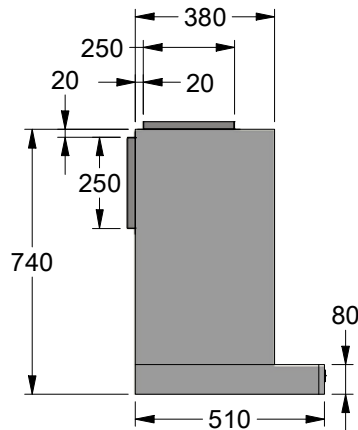


Rangehood can be ordered as back or top ducted.

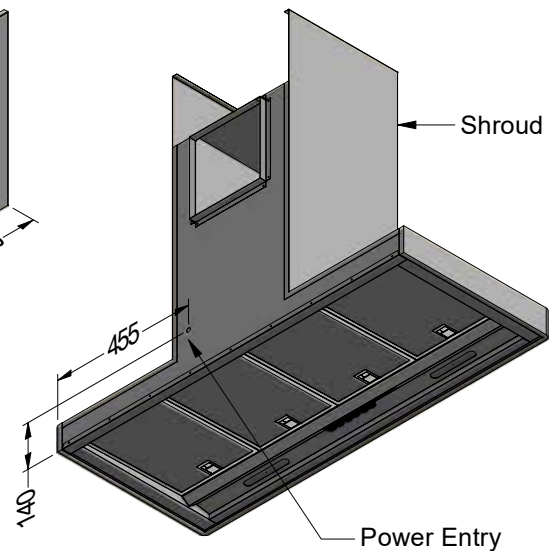
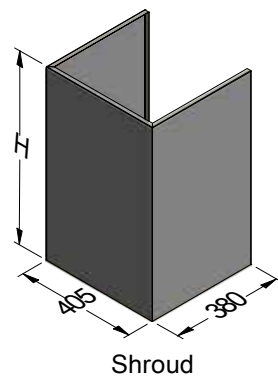
Model	STA 900L-1	Model	STA 900L-1
Body Width	900mm	Filter Size	272mm x 355mm
Motor Box / Flue Width	403mm	Conversion Top/Back Back/Top	YES
Motor Qty	1	Electrical Connection	Junction Box
LED Light	Cool	Minimum Height (H =)	335mm
Nightlight	YES	Maximum Height (H =)	1470mm
Light Qty	2	Coating Available	YES
Light Centres	510mm	All-thread Fixing Centres	N/A
Filter Qty	3	Corner Type	Round
ACWMLR		Condari Pty Ltd.	Version: I 10/10/2022F



STA 900L-2 shown without shroud.



STA 1200L-2 shown without shroud.



Rangehood is manufactured as top duct only. A conversion kit for back ducted is supplied.

Model	STA 900L-2	STA 1200L-2	Model	STA 900L-2	STA 1200L-2
Body Width	900mm	1200mm	Filter Size	272mm x 355mm	272mm x 355mm
Motor Box / Flue Width	403mm	403mm	Conversion Top/Back Back/Top	YES	YES
Motor Qty	2	2	Electrical Connection	Junction Box	Junction Box
LED Light	Cool	Cool	Minimum Height (H =)	660mm	660mm
Nightlight	YES	YES	Maximum Height (H =)	1470mm	1470mm
Light Qty	2	2	Coating Available	YES	YES
Light Centres	510mm	648mm	All-thread Fixing Centres	N/A	N/A
Filter Qty	3	4	Corner Type	Round	Round
ACWMLR			Condari Pty Ltd.	Version: I 10/10/2022F	Page 2 of 2

“Qasair is committed to maintaining exceptional functionality whilst continuing to improve noise levels and maintain position at the forefront of design.”

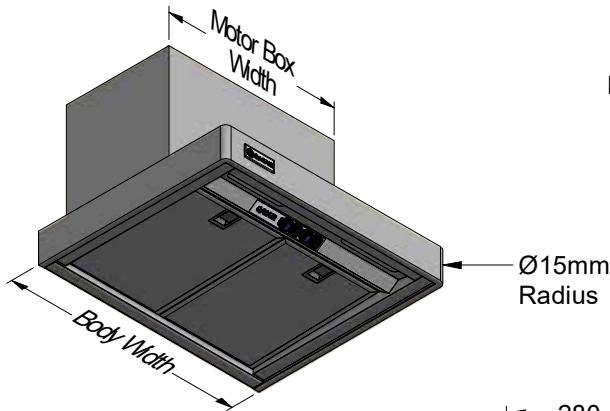


Compact

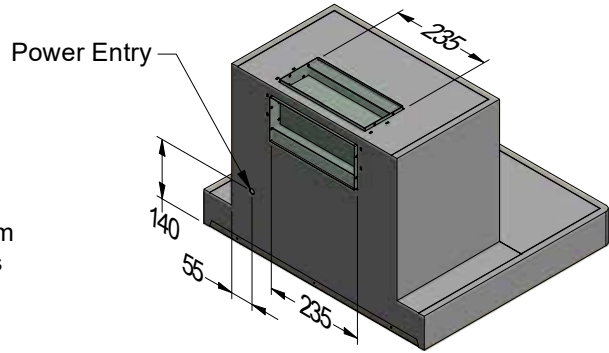
Qasair Compact rangehood has an 80mm stainless steel fascia and is designed to be installed behind joinery, however, can also be installed with a stainless steel shroud.

This rangehood is available in 600mm width with one motor and 900mm and 1000mm width with two motors.

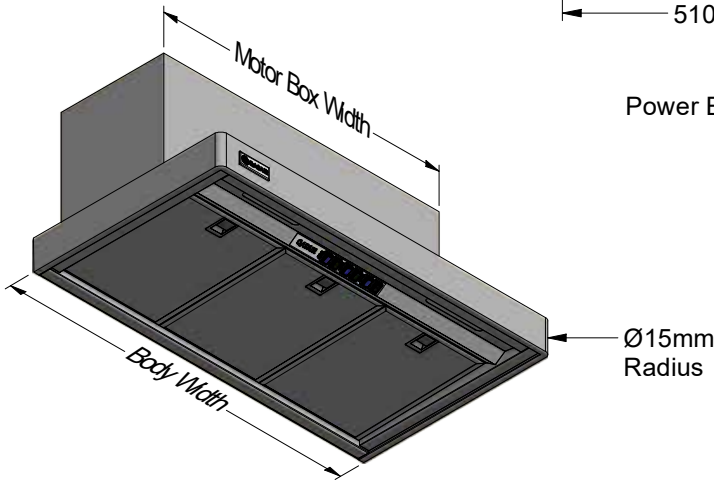
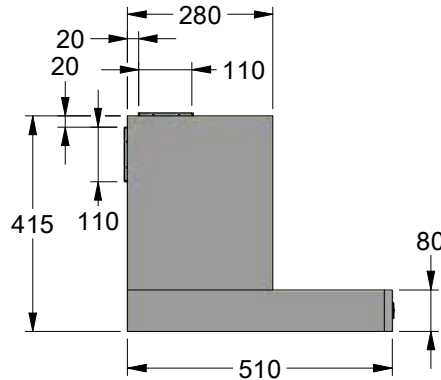




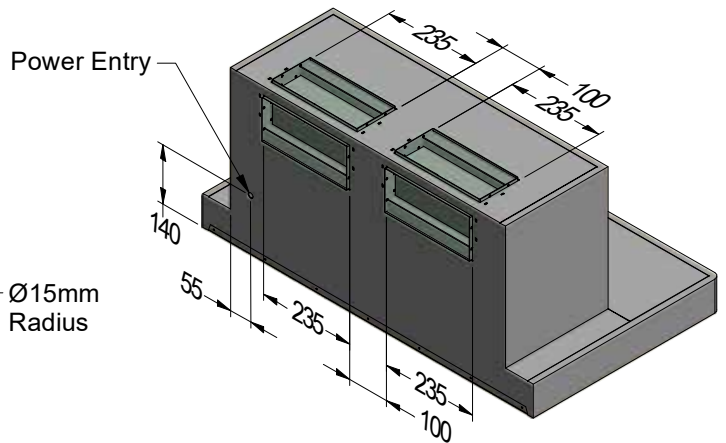
CM 600L-1



CM 600L-1

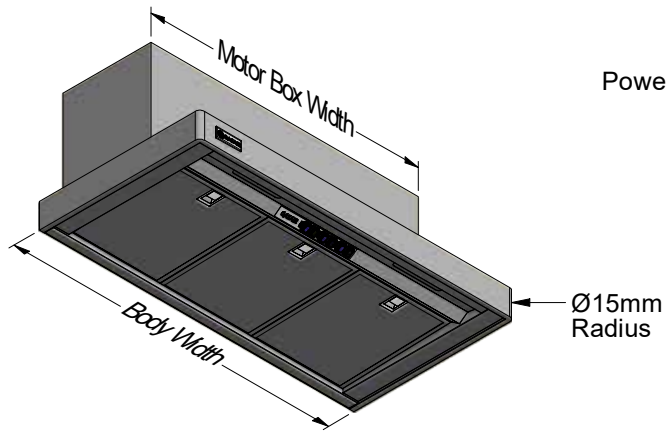


CM 900L-2

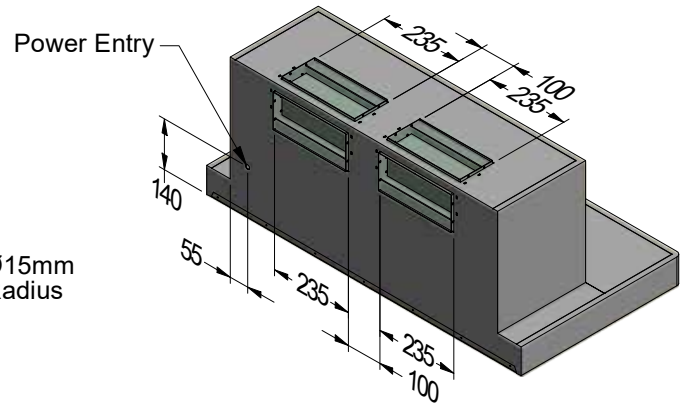


CM 900L-2

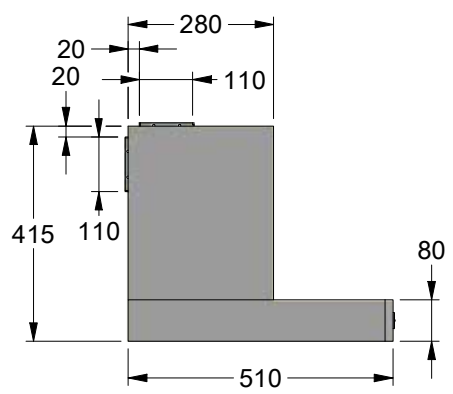
Model	CM 600L-1	CM 900L-2	Model	CM 600L-1	CM 900L-2
Body Width	600mm	900mm	Filter Size	255 x 355mm	272mm x 355mm
Motor Box / Flue Width	450mm	750mm	Conversion Top/Back Back/Top	YES	YES
Motor Qty	1	2	Electrical Connection	Junction Box	Junction Box
LED Light	Cool	Cool	Minimum Height (H =)	N/A	N/A
Nightlight	YES	YES	Maximum Height (H =)	N/A	N/A
Light Qty	2	2	Coating Available	YES	Yes
Light Centres	310mm	510mm	All-thread Fixing Centres	N/A	N/A
Filter Qty	2	3	Corner Type	Round	Round
ACWMLR			Condari Pty Ltd.	Version: H 10/10/2022F	Page 1 of 3



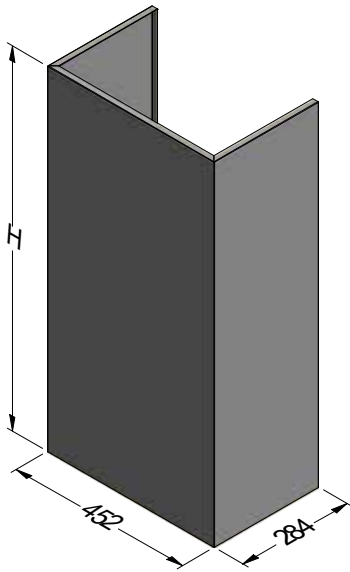
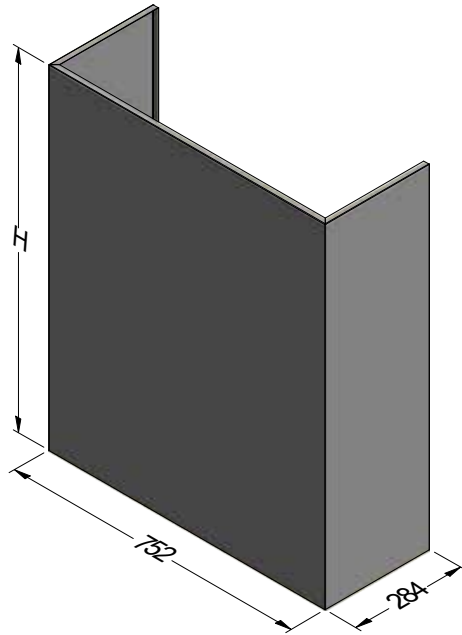
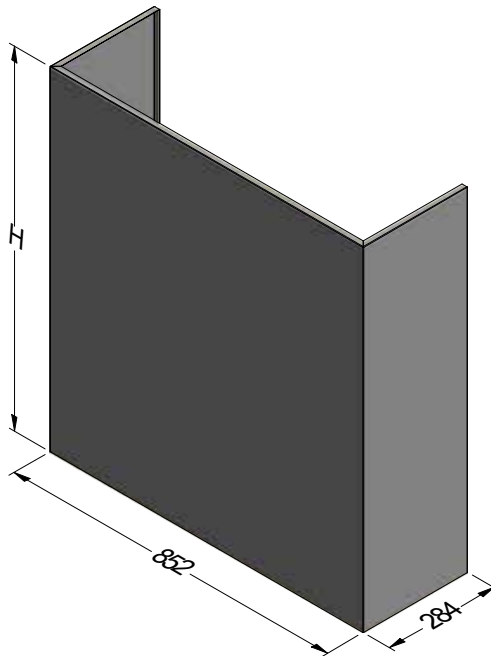
CM 1000L-2



CM 1000L-2



Model	CM 1000L-2	Model	CM 1000L-2
Body Width	1000mm	Filter Size	290mm x 355mm
Motor Box / Flue Width	850mm	Conversion Top/Back Back/Top	YES
Motor Qty	2	Electrical Connection	Junction Box
LED Light	Cool	Minimum Height (H =)	N/A
Nightlight	YES	Maximum Height (H =)	N/A
Light Qty	2	Coating Available	YES
Light Centres	510mm	All-thread Fixing Centres	N/A
Filter Qty	3	Corner Type	Round
ACWMLR		Condari Pty Ltd.	Version: H 10/10/2022F Page 2 of 3


CM 600L-1 SHROUD

CM 900L-2 SHROUD

CM 1000L-2 SHROUD

Model	CM 600L-1 SHROUD	CM 900L-2 SHROUD	CM 1000L-2 SHROUD
Minimum Height (H =)	335mm	335mm	335mm
Maximum Height (H =)	1450mm	1450mm	1450mm
Coating Available	YES	YES	YES



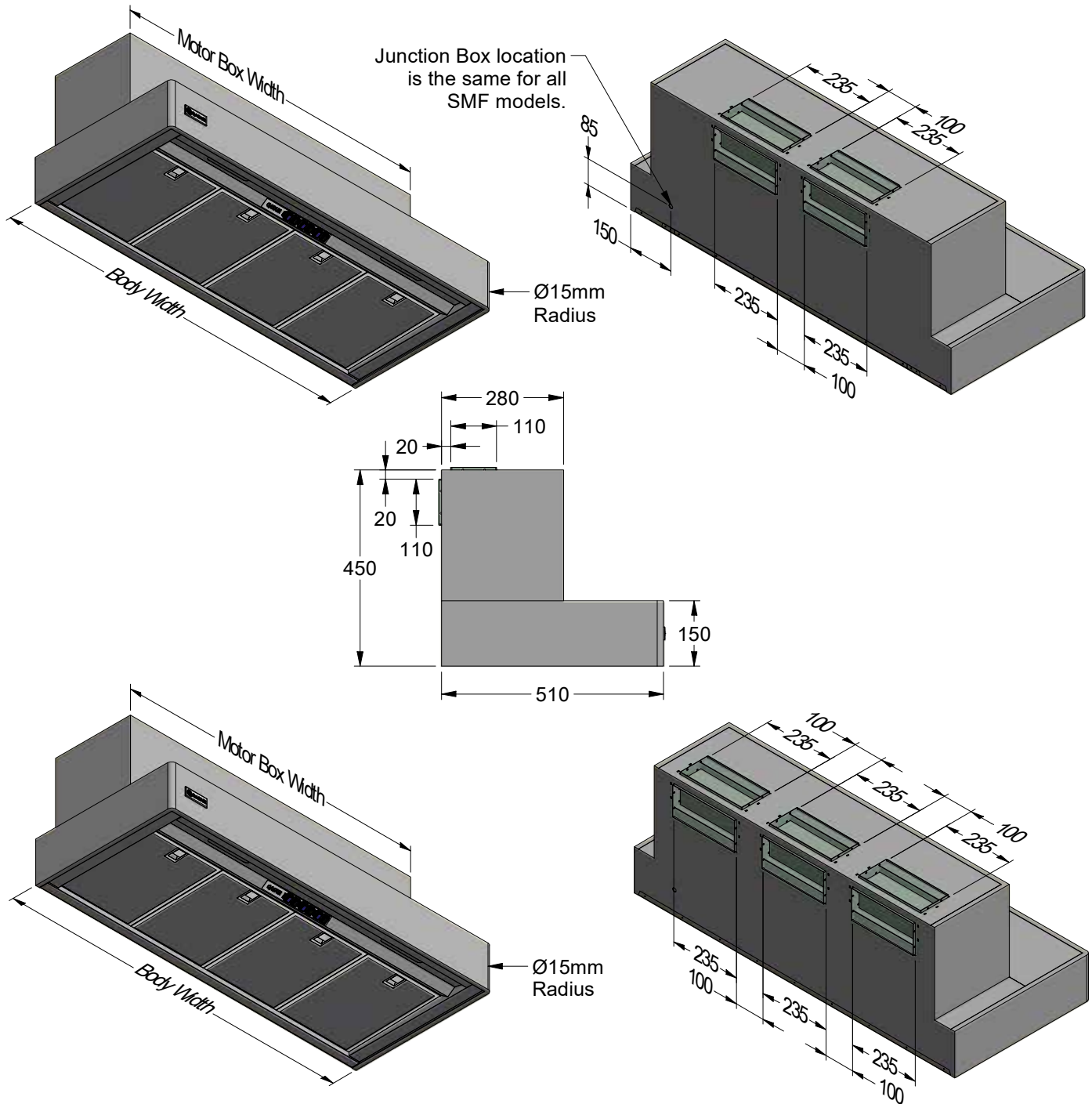
Maitland

Qasair Maitland rangehood has been designed for use over a wide expanse of cookware, such as a 1200mm or 1500mm wide cooker, or a row of cooktops. Qasair formulated the concept of allowing a 100mm gap between combisets to enable the use of all units at the same time.

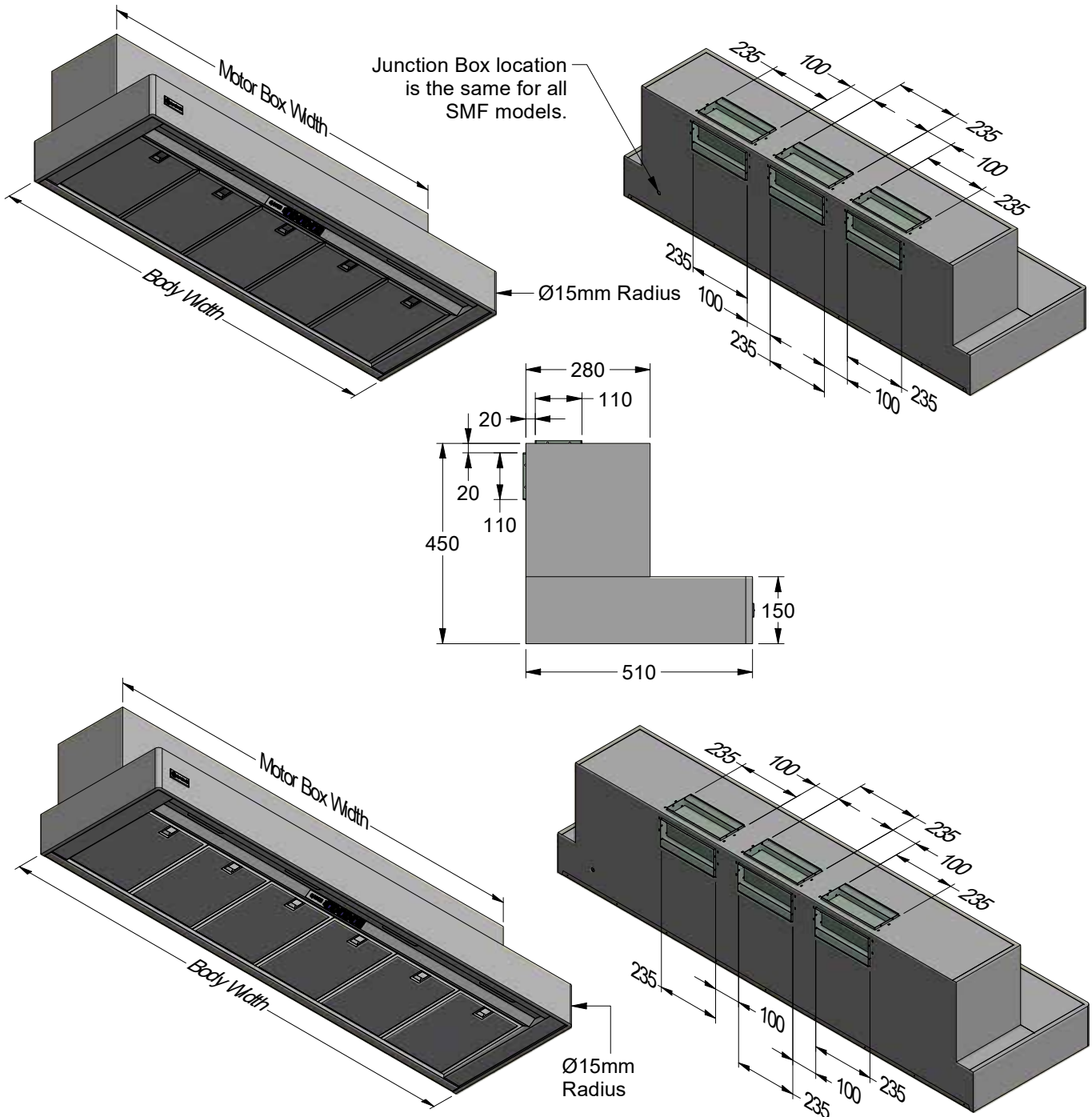
With a 150mm stainless steel fascia, and a 280mm deep motor box, this rangehood is usually installed behind joinery, but a stainless steel shroud may be ordered if required.

This rangehood is available in 1200mm width with two or three motors and 1500mm and 1800mm widths with three motors.

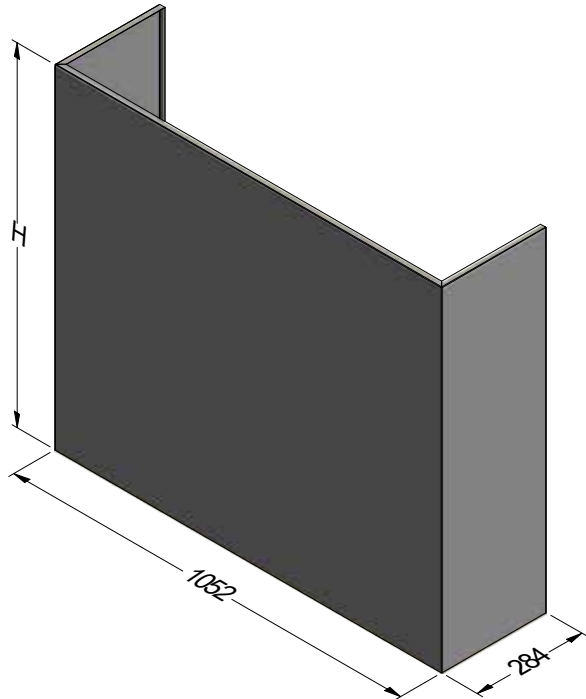




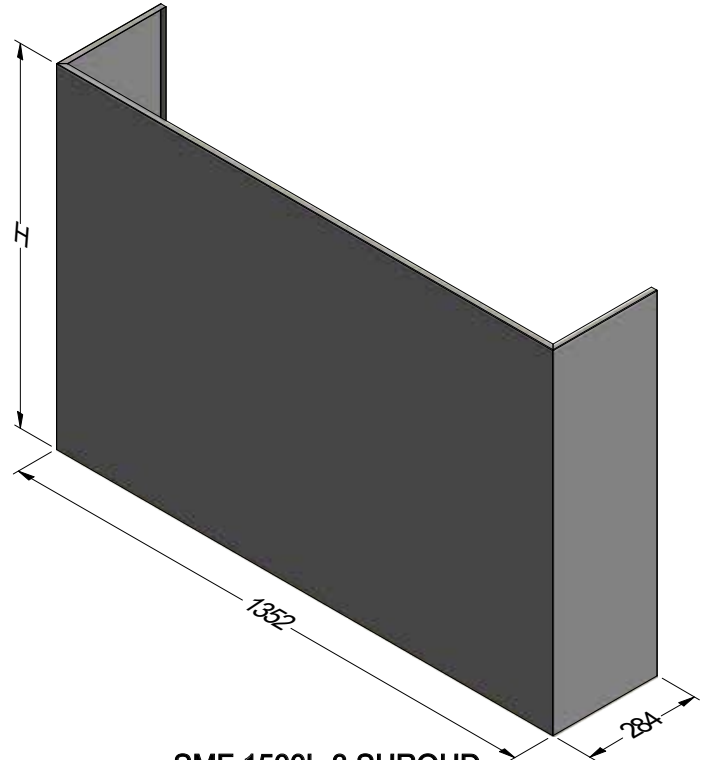
Model	SMF 1200L-2	SMF 1200L-3	Model	SMF 1200L-2	SMF 1200L-3
Body Width	1200mm	1200mm	Filter Size	272mm x 355mm	272mm x 355mm
Motor Box / Flue Width	1050mm	1050mm	Conversion Top/Back Back/Top	YES	YES
Motor Qty	2	3	Electrical Connection	Junction Box	Junction Box
LED Light	Cool	Cool	Minimum Height (H =)	N/A	N/A
Nightlight	YES	YES	Maximum Height (H =)	N/A	N/A
Light Qty	2	2	Coating Available	YES	YES
Light Centres	648mm	648mm	All-thread Fixing Centres	N/A	N/A
Filter Qty	4	4	Corner Type	Round	Round
ACWMLR			Condari Pty Ltd.	Version: G 10/10/2022F	Page 1 of 3



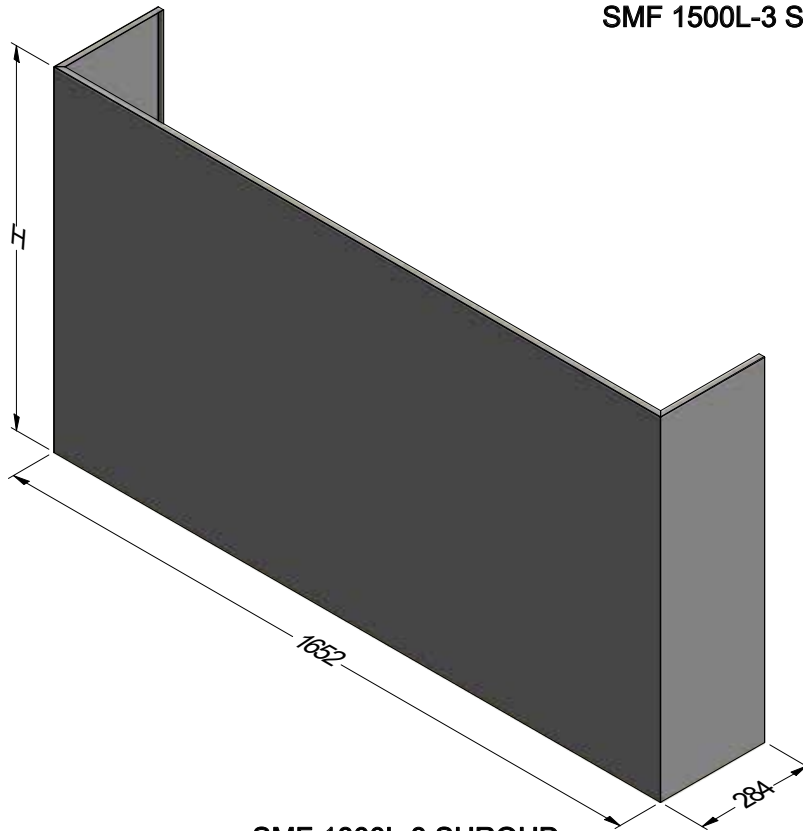
Model	SMF 1500L-3	SMF 1800L-3	Model	SMF 1500L-3	SMF 1800L-3
Body Width	1500mm	1800mm	Filter Size	272mm x 355mm	290mm x 355mm
Motor Box / Flue Width	1350mm	1650mm	Conversion Top/Back Back/Top	YES	YES
Motor Qty	3	3	Electrical Connection	Junction Box	Junction Box
LED Light	Cool	Cool	Minimum Height (H =)	N/A	N/A
Nightlight	YES	YES	Maximum Height (H =)	N/A	N/A
Light Qty	2	4	Coating Available	YES	YES
Light Centres	816mm	422mm	All-thread Fixing Centres	N/A	N/A
Filter Qty	5	6	Corner Type	Round	Round
ACWMLR			Condari Pty Ltd.	Version: G 10/10/2022F	Page 2 of 3



SMF 1200L-2 SHROUD
SMF 1200L-3 SHROUD



SMF 1500L-3 SHROUD



SMF 1800L-3 SHROUD

Model	SMF 1200L-2 SHROUD	SMF 1200L-3 SHROUD	SMF 1500L-3 SHROUD	SMF 1800L-3 SHROUD
Minimum Height (H =)	300mm	300mm	300mm	300mm
Maximum Height (H =)	1450mm	1450mm	1450mm	1450mm
Coating Available	YES	YES	YES	YES

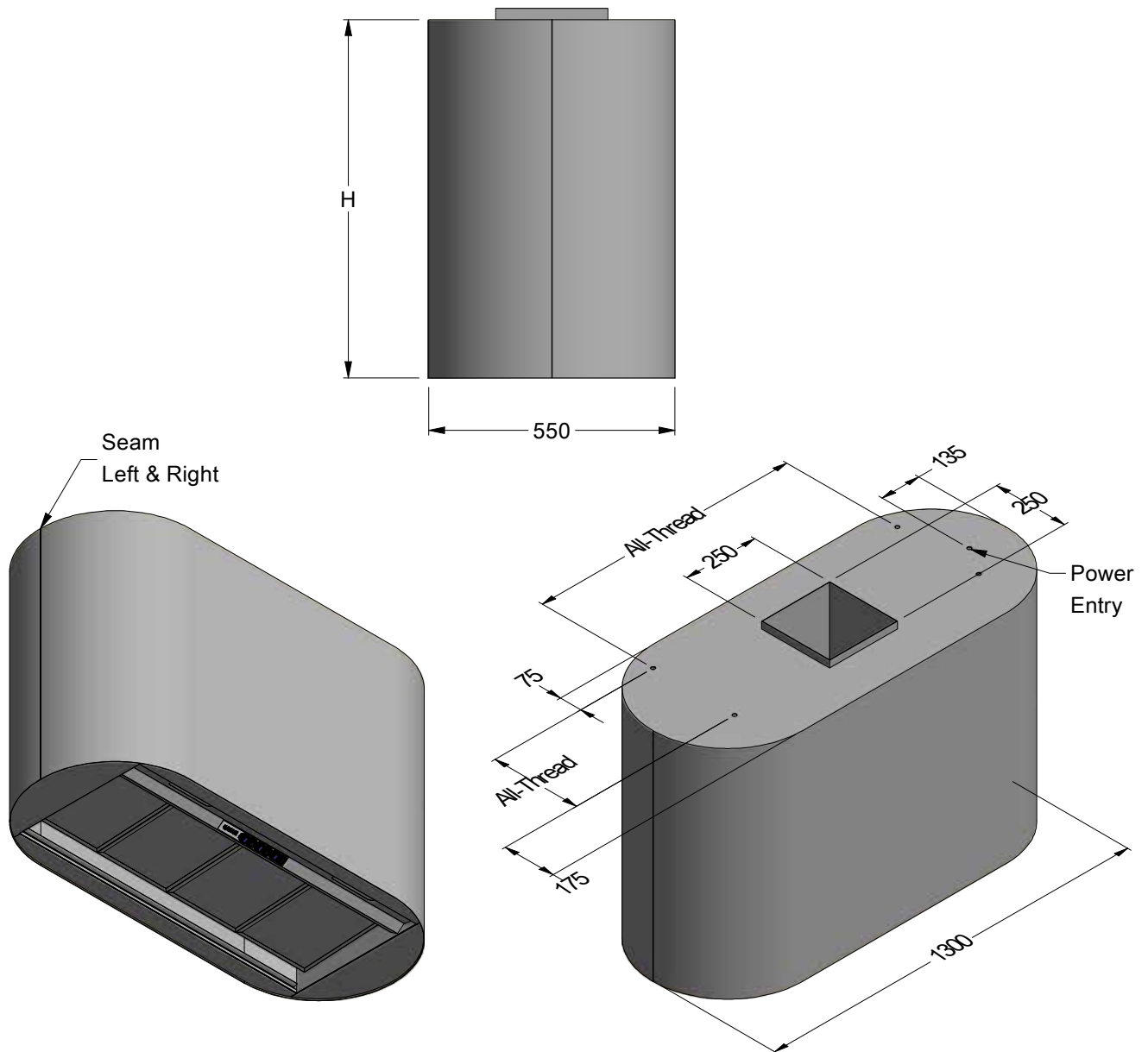


Stadium

Qasair Stadium ceiling mounted rangehood is for discerning consumers who like a curved aesthetic, but require maximum coverage of the cooking surface. The Rangehood is designed for installation against a wall.

This rangehood is available in 1300mm wide with two motors.

It delivers unequalled performance with up to 1800 cubic metres of air movement per hour, combined with extremely quiet operation.



Model	STM 1300L-2	Model	STM 1300L-2
Body Width	1300mm	Filter Size	255mm x 355mm
Motor Box / Flue Width	N/A	Conversion Top/Back Back/Top	NO
Motor Qty	2	Electrical Connection	10 Amp Lead
LED Light	Cool	Minimum Height (H =)	500
Nightlight	YES	Maximum Height (H =)	1450
Light Qty	2	Coating Available	YES
Light Centres	600mm	All-thread Fixing Centres	300mm x 900mm
Filter Qty	4	Corner Type	Round
ACILR		Condari Pty Ltd.	Version: C 05/10/2022F Page 1 of 1



Photo courtesy of: Kitchen Shop QLD

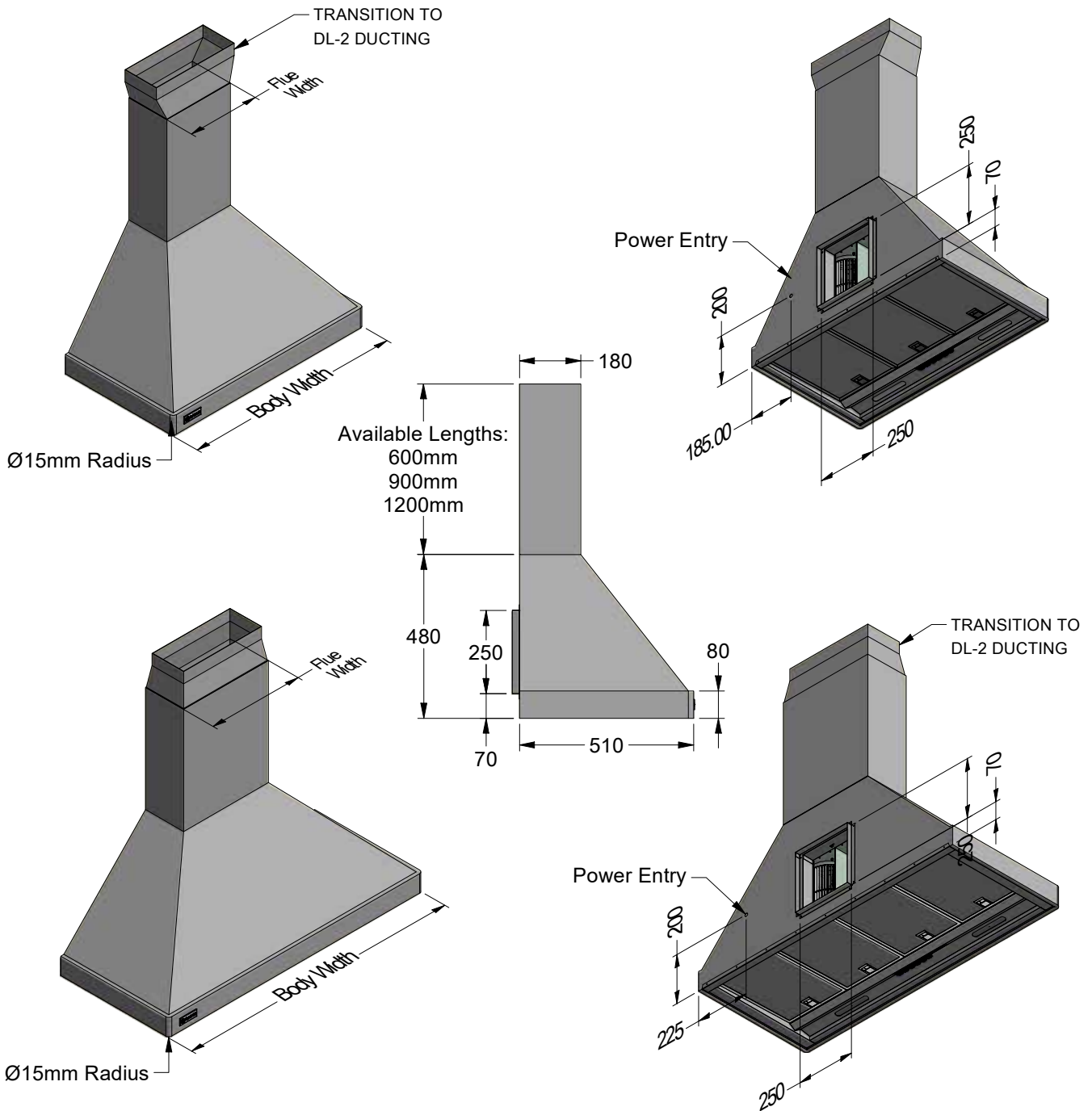
3 Flare

Qasair 3 Flare rangehood is a classic, wall-mounted canopy style rangehood. Fitted with two motors, it's performance is guaranteed over even the most powerful cooking appliances.

This rangehood is available in 900mm and 1200mm widths, with two motors.

This rangehood is supplied with a stainless steel flue available in 600mm, 900mm and 1200mm lengths.

It delivers unequalled performance with up to 1800 cubic metres of air movement per hour, combined with extremely quiet operation.



A Transition is supplied to suit standard DL2 ducting.

Flues made to order for back ducted models.

Model	3F 900L-2	3F 1200L-2	Model	3F 900L-2	3F 1200L-2
Body Width	900mm	1200mm	Filter Size	272mm x 355mm	272mm x 355mm
Motor Box / Flue Width	300mm	400mm	Conversion Top/Back Back/Top	NO	NO
Motor Qty	2	2	Electrical Connection	Junction Box	Junction Box
LED Light	Cool	Cool	Minimum Height (H =)	480mm	480mm
Nightlight	YES	YES	Maximum Height (H =)	1680mm	1680mm
Light Qty	2	2	Coating Available	YES	YES
Light Centres	510mm	648mm	All-thread Fixing Centres	N/A	N/A
Filter Qty	3	4	Corner Type	Round	Round
ACWMLR			Condari Pty Ltd.	Version: I 10/10/2022F	Page 1 of 1



Photo courtesy of: Dan Kitchens Australia

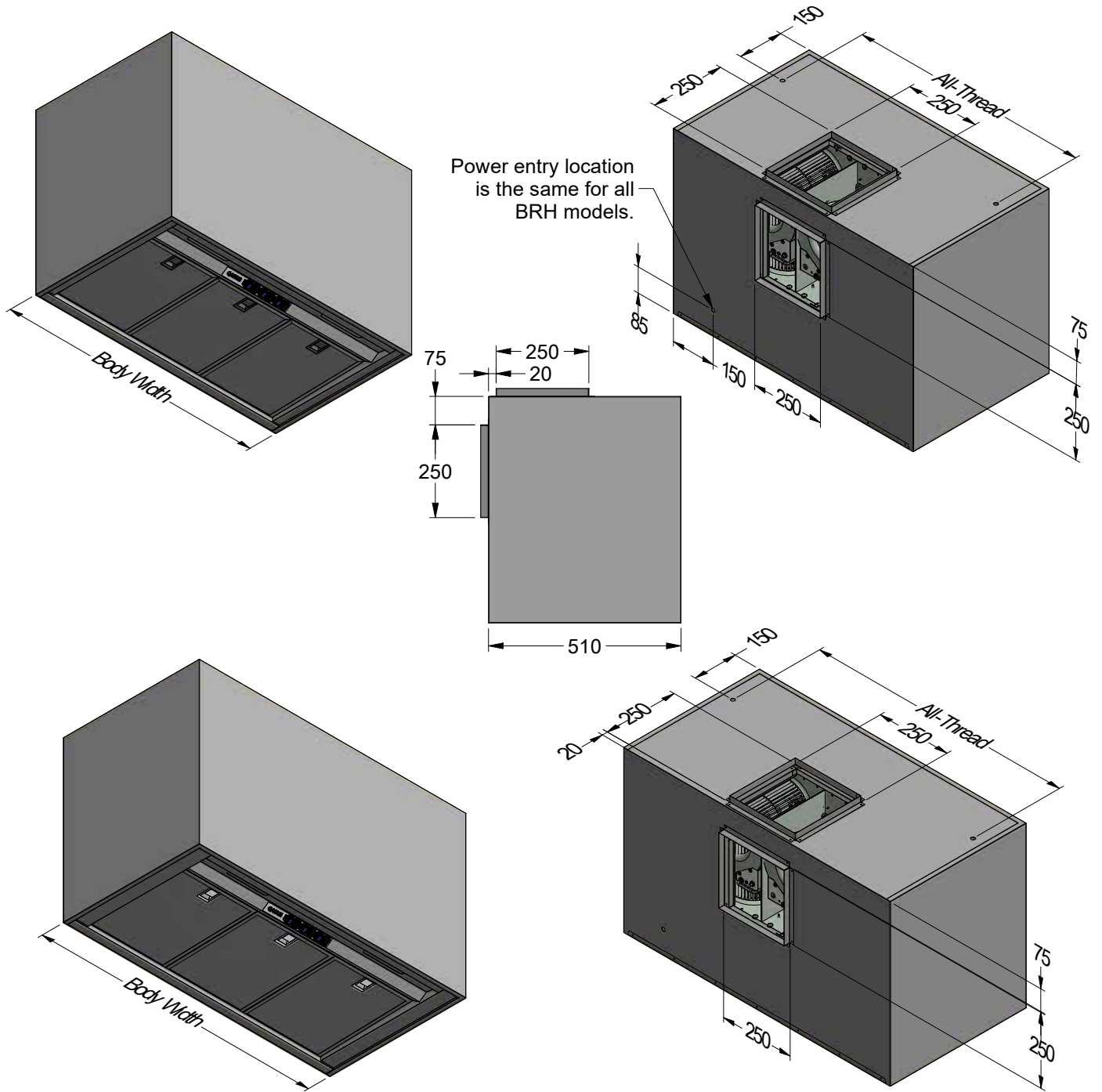
Benton

Qasair Benton rangehood is a box-style, wall mounted rangehood.

This rangehood is available in 900mm, 1000mm and 1200mm widths, with two motors.

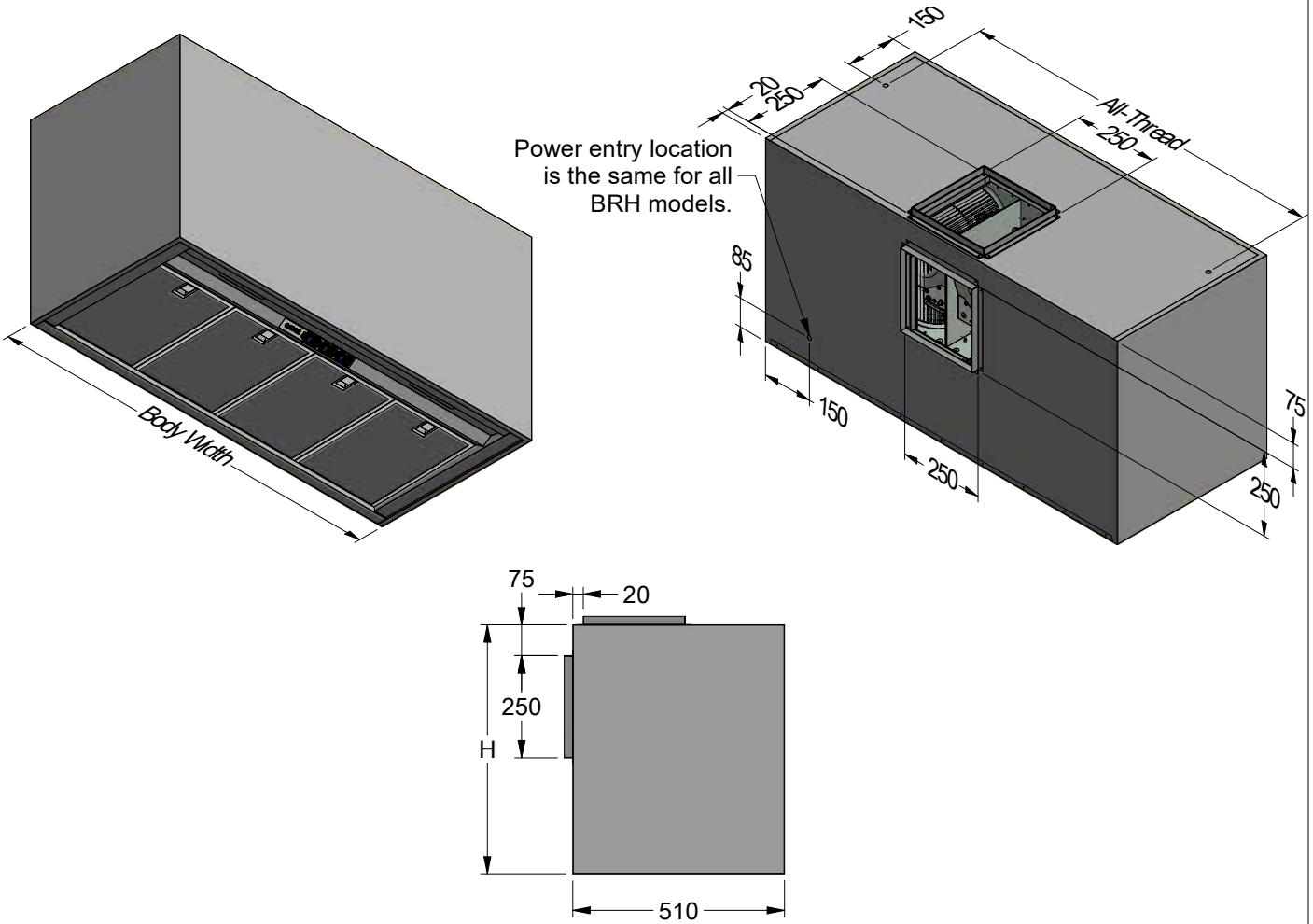
This rangehood has a standard maximum overall height of 1450mm.

It delivers unequalled performance with 1800 cubic metres of air movement per hour, combined with extremely quiet operation.



All-Thread rods are supplied for extra support.

Model	BRH 900L-2	BRH 1000L-2	Model	BRH 900L-2	BRH 1000L-2
Body Width	900mm	1000mm	Filter Size	272mm x 355mm	290mm x 355mm
Motor Box / Flue Width	N/A	N/A	Conversion Top/Back Back/Top	NO	NO
Motor Qty	2	2	Electrical Connection	Junction Box	Junction Box
LED Light	Cool	Cool	Minimum Height (H =)	400mm	400mm
Nightlight	YES	YES	Maximum Height (H =)	1450mm	1450
Light Qty	2	2	Coating Available	YES	YES
Light Centres	510mm	510mm	All-thread Fixing Centres	800mm	800mm
Filter Qty	3	3	Corner Type	Square	Square
ACWMLR			Condari Pty Ltd.	Version: G 10/10/2022F	Page 1 of 2



All-Thread rods are supplied for extra support.

Model	BRH 1200L-2	Model	BRH 1200L-2
Body Width	1200mm	Filter Size	272mm x 355mm
Motor Box / Flue Width	N/A	Conversion Top/Back Back/Top	NO
Motor Qty	2	Electrical Connection	Junction Box
LED Light	Cool	Minimum Height (H =)	400mm
Nightlight	YES	Maximum Height (H =)	1450mm
Light Qty	2	Coating Available	YES
Light Centres	648mm	All-thread Fixing Centres	950mm
Filter Qty	4	Corner Type	Square
ACWMLR		Condari Pty Ltd.	Version: G 10/10/2022F Page 2 of 2

Under
cupboard

Wall
Mounted

Island



*Studio Minosa and Photographer Nicole England
@studio__minosa @nicoleengland*

Thermidor

Qasair Thermidor rangehood has been designed to provide maximum extraction, whilst maintaining clean lines and an unobstructed view.

The Rangehood is **350mm high** and designed to be installed flush into the ceiling.

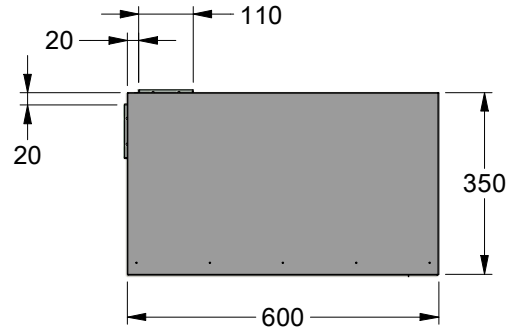
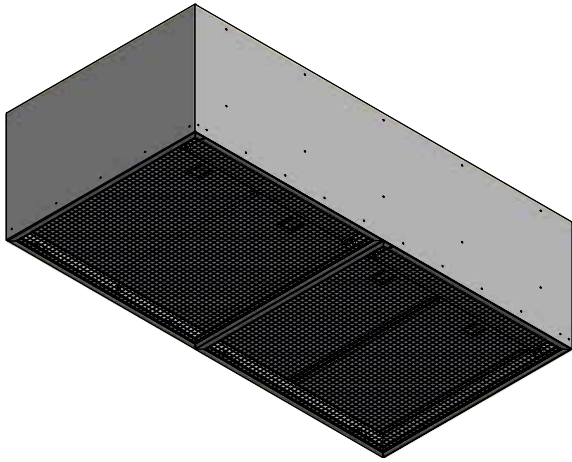
Available in 1200mm or 1500mm widths with three motor with a maximum air movement of 2700 cubic metres per hour.

The rangehood has offboard switching and is not fitted with lights. The off board switch panel is not supplied – an approved type, such as a Clipsal switch panel must be used.

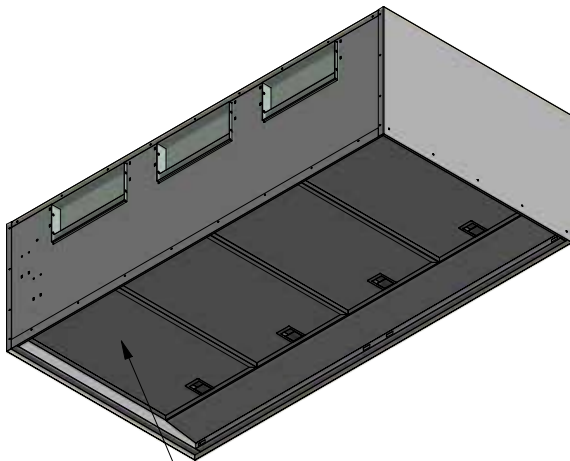
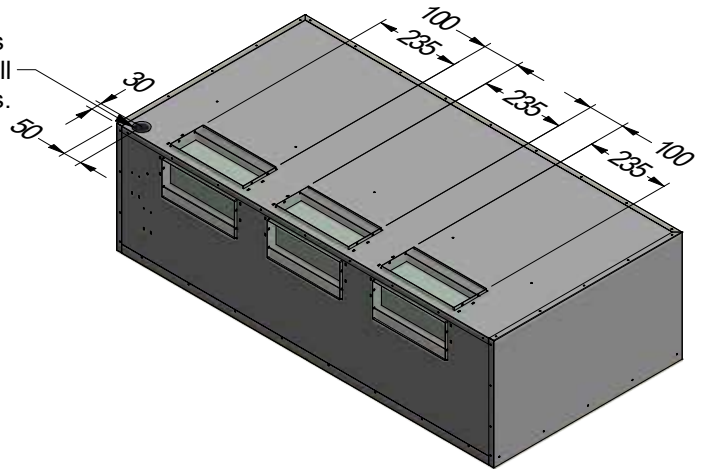
A Stainless steel flange is available on request.



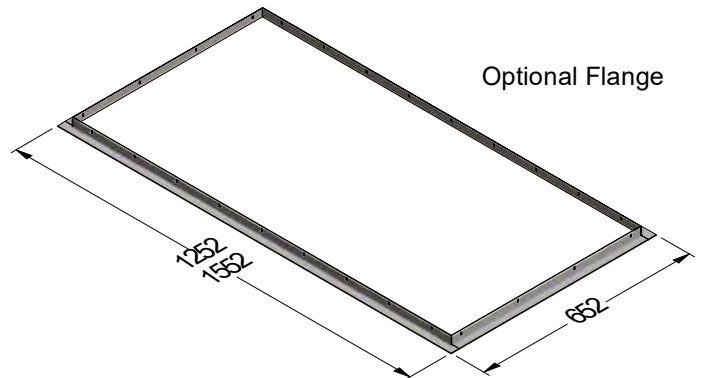
This view is shown with grills removed to expose filters.



Power entry locations are the same for all LIV models.



This view is shown with grills removed to expose filters.



Optional Flange

SWITCHING IS NOT SUPPLIED.
 ELECTRICAL CONNECTION IS MADE AT JUNCTION BOX INSIDE RANGEHOOD.

Model	TR CT 1200-3	TR CT 1500-3	Model	TR CT 1200-3	TR CT 1500-3
Body Width	1200mm	1500mm	Filter Size	290mm x 480mm	290mm x 480mm
Motor Box / Flue Width	N/A	N/A	Conversion Top/Back Back/Top	YES	YES
Motor Qty	3	3	Electrical Connection	Junction Box	Junction Box
LED Light	NO	NO	Minimum Height (H =)	N/A	N/A
Nightlight	NO	NO	Maximum Height (H =)	N/A	N/A
Grill Qty	2	3	Coating Available	N/A	N/A
Grill Size	598mm x 596mm	498mm x 596mm	All-thread Fixing Centres	N/A	N/A
Filter Qty	4	5	Corner Type	Square	Square
ACILR			Condari Pty Ltd.	Version: G 05/10/2022F Page 1 of 1	



Liverpool

Qasair Liverpool rangehood has been designed to provide maximum extraction, whilst maintaining clean lines and an unobstructed view.

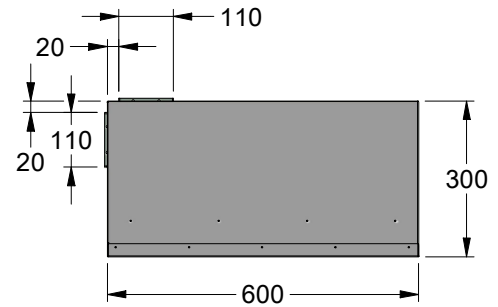
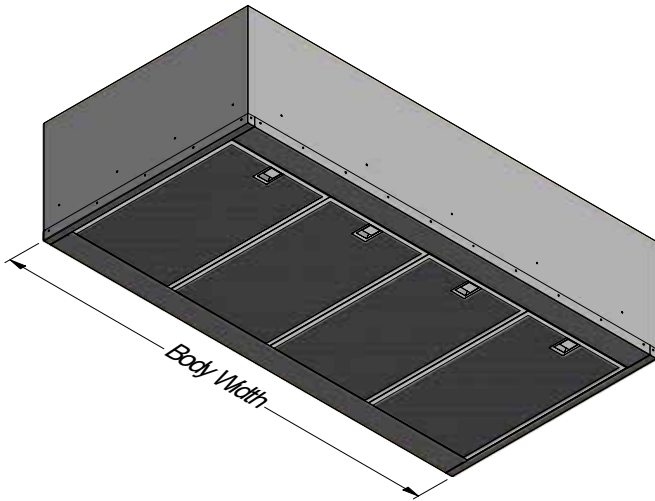
The Rangehood is **300mm high** and designed to be installed flush into the ceiling.

Available in 1200mm or 1500mm widths with three motor with a maximum air movement of 2700 cubic metres per hour.

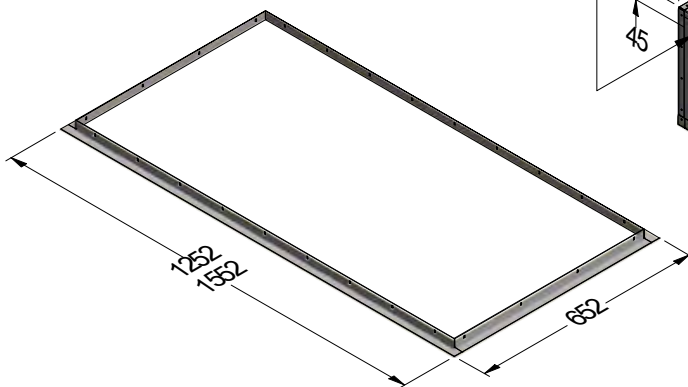
The rangehood has offboard switching and is not fitted with lights. The off board switch panel is not supplied – an approved type, such as a Clipsal switch panel must be used.

A Stainless steel flange is available on request.

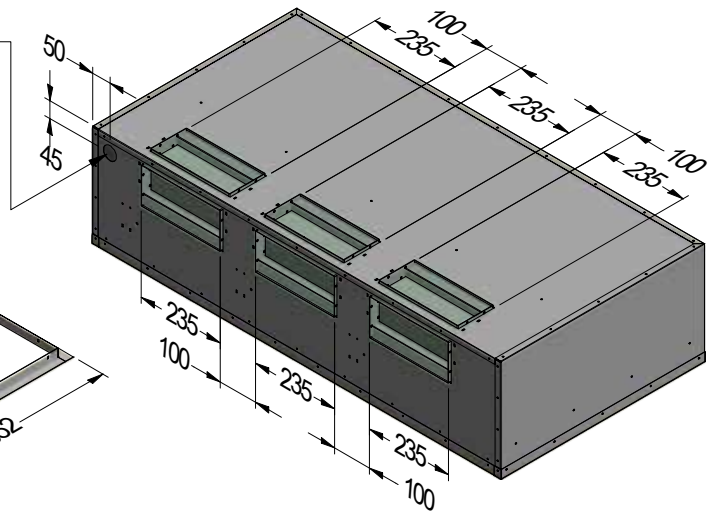




Power entry locations
are the same for all
LIV models.

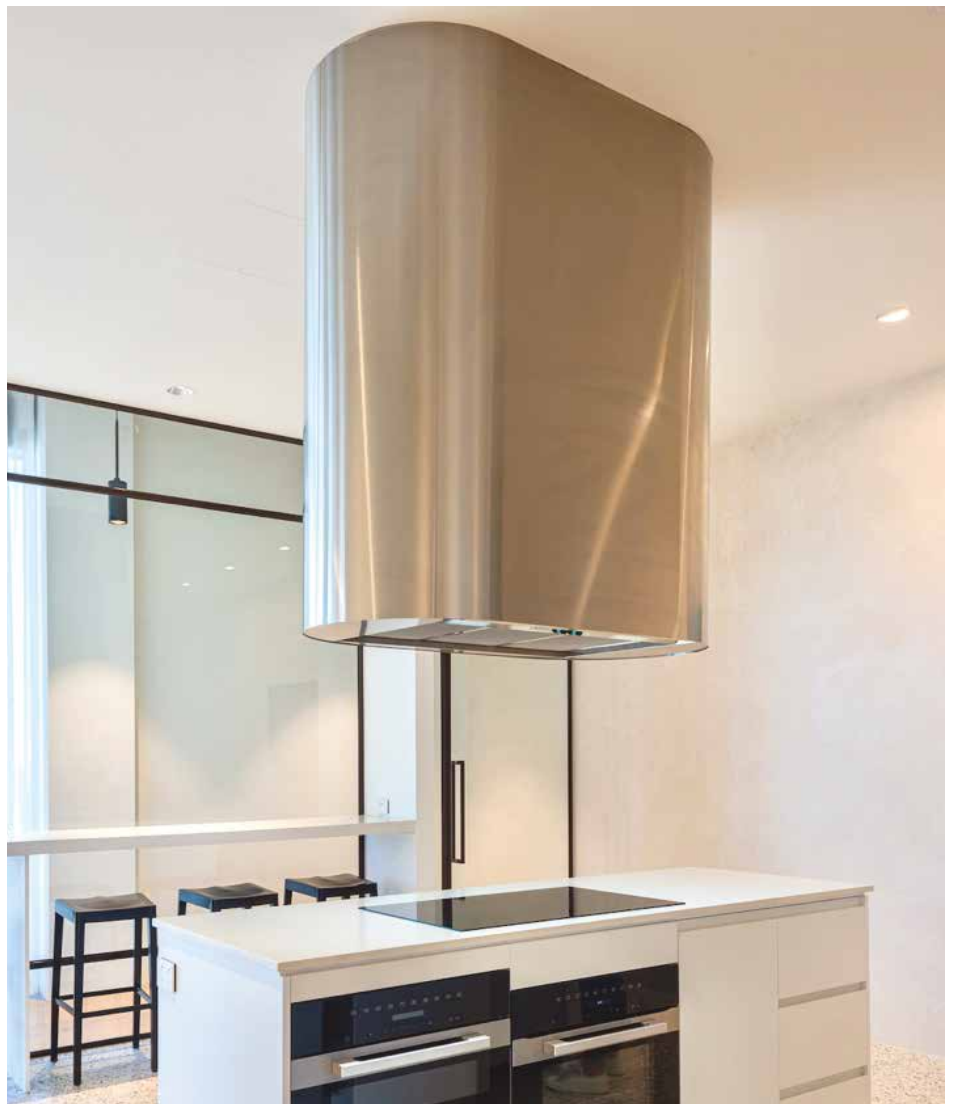


Optional Flange



SWITCHING IS NOT SUPPLIED.
ELECTRICAL CONNECTION IS MADE AT JUNCTION BOX INSIDE RANGEHOOD.

Model	LIV 1200-3	LIV 1500-3	Model	LIV 1200-3	LIV 1500-3
Body Width	1200mm	1500mm	Filter Size	290mm x 480mm	290mm x 480mm
Motor Box / Flue Width	N/A	N/A	Conversion Top/Back Back/Top	YES	YES
Motor Qty	3	3	Electrical Connection	Junction Box	Junction Box
LED Light	N/A	N/A	Minimum Height (H =)	N/A	N/A
Nightlight	N/A	N/A	Maximum Height (H =)	N/A	N/A
Light Qty	N/A	N/A	Coating Available	N/A	N/A
Light Centres	N/A	N/A	All-thread Fixing Centres	N/A	N/A
Filter Qty	4	5	Corner Type	Square	Square
ACILR			Condari Pty Ltd.	Version: F 05/10/2022F	Page 1 of 1



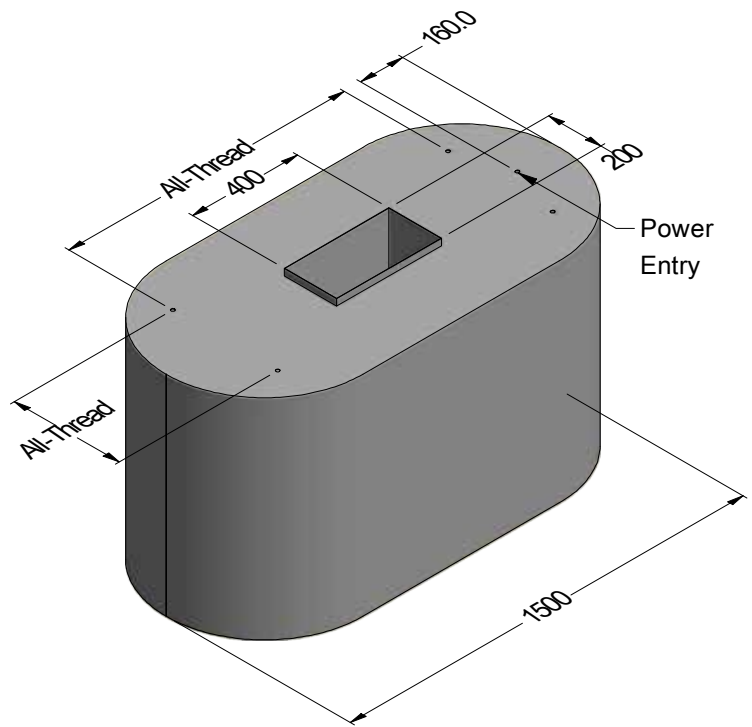
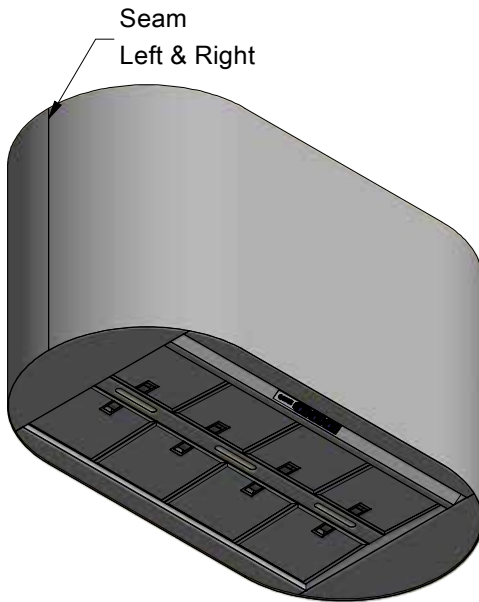
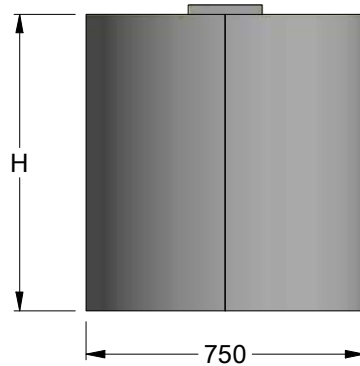
Stadium Island

Qasair Stadium Island ceiling mounted rangehood is for discerning consumers who like a curved aesthetic, but require maximum coverage of the cooking surface.

This rangehood is designed for installation over an island bench or peninsula.

This rangehood is available in 1500mm width, with three motors.

It delivers unequalled performance with up to 2700 cubic metres of air movement per hour, combined with extremely quiet operation.



Model	STMI 1500L-3	Model	STMI 1500L-3
Body Width	1500mm	Filter Size	270mm x 250mm
Motor Box / Flue Width	N/A	Conversion Top/Back Back/Top	NO
Motor Qty	3	Electrical Connection	10 Amp Lead
LED Light	Cool	Minimum Height (H =)	500
Nightlight	YES	Maximum Height (H =)	1450
Light Qty	3	Coating Available	YES
Light Centres	380mm	All-thread Fixing Centres	400mm x 1050mm
Filter Qty	8	Corner Type	Round
ACILR		Condari Pty Ltd.	Version: C 05/10/2022F Page 1 of 1



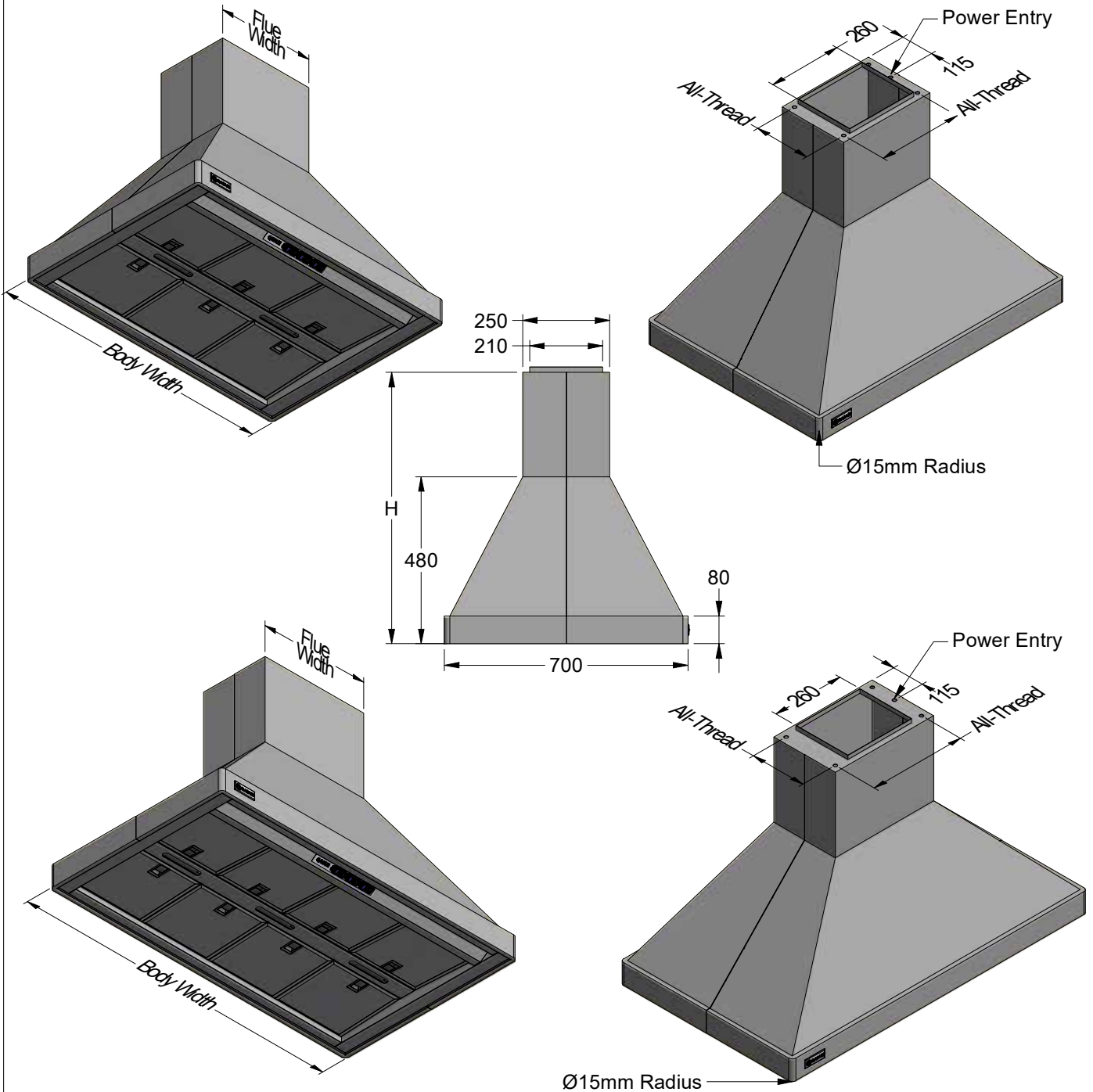
4 Flare

Qasair 4 Flare rangehood is a classic island rangehood, designed for installation over an island bench or peninsula.

This rangehood is available in 1000mm and 1200mm widths, with two motors.

This rangehood has a standard overall maximum height of 1660mm.

It delivers unequalled performance with up to 1800 cubic metres of air movement per hour, combined with extremely quiet operation.



A Transition is supplied to suit standard DL-2 ducting.

Model	4F 1000L-2	4F 1200L-2	Model	4F 1000L-2	4F 1200L-2
Body Width	1000mm	1200mm	Filter Size	290mm x 250mm	270mm x 250mm
Motor Box / Flue Width	350mm	400mm	Conversion Top/Back Back/Top	N/A	N/A
Motor Qty	2	2	Electrical Connection	10 Amp Lead	10 Amp Lead
LED Light	Cool	Cool	Minimum Height (H =)	480mm	480mm
Nightlight	YES	YES	Maximum Height (H =)	1660mm	1660mm
Light Qty	2	3	Coating Available	YES	YES
Light Centres	430mm	380mm	All-thread Fixing Centres	300mm x 200mm	350mm x 200mm
Filter Qty	6	8	Corner Type	Round	Round
ACILR			Condari Pty Ltd.	Version: H 05/10/2022F Page 1 of 1	



Averna Homes and D-MAX Photography
@avernahomes @dmaxphotography

Albany

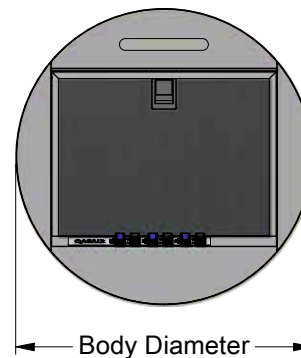
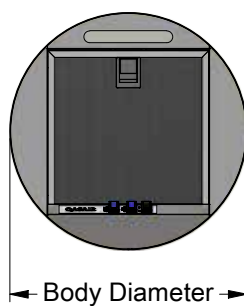
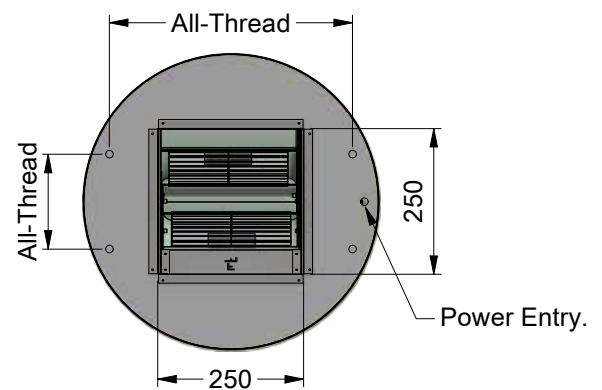
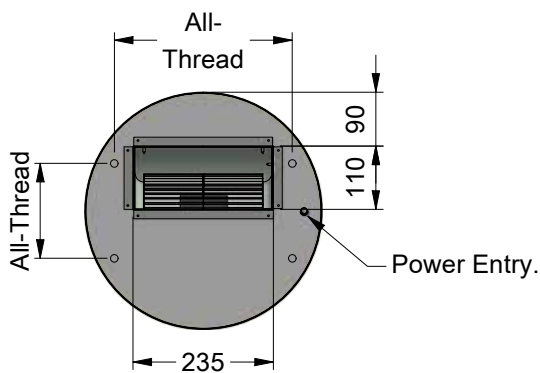
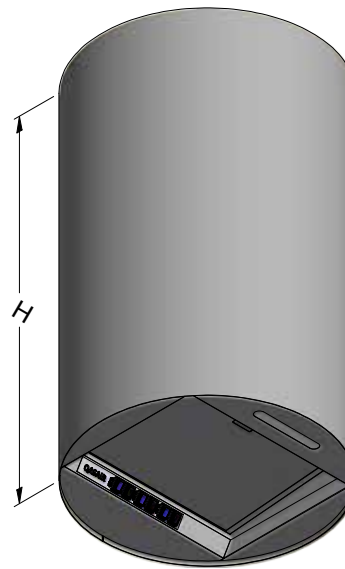
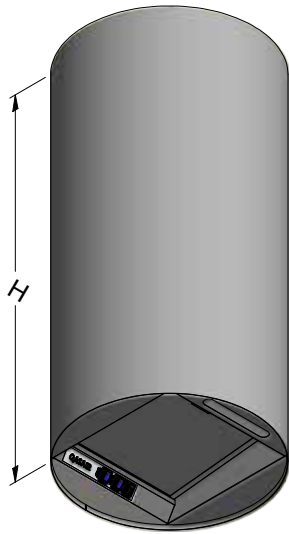
Qasair Albany rangehood reinvents style whilst maintaining performance.

This rangehood is a stunning addition to any home.

This rangehood is ceiling mounted, but can be used over an island rangehood, peninsula or against a wall.

This rangehood is available in 400mm diameter with one motor or 500mm diameter with two motors.

This rangehood has a standard maximum overall height of 1500mm.



Model	D 400L-1	D 500L-2	Model	D 400L-1	D 500L-2
Body Diameter	400mm	500mm	Filter Size	272mm x 272mm	379mm x 290mm
Motor Box / Flue Width	N/A	N/A	Conversion Top/Back Back/Top	N/A	N/A
Motor Qty	1	2	Electrical Connection	10 Amp Lead	10 Amp Lead
LED Light	Cool	Cool	Minimum Height (H =)	550mm	650mm
Nightlight	NO	YES	Maximum Height (H =)	1500mm	1500mm
Light Qty	1	1	Coating Available	YES	YES
Light Centres	Centre	Centre	All-thread Fixing Centres	300mm x 160mm	410mm x 160mm
Filter Qty	1	1	Corner Type	N/A	N/A
ACILR			Condari Pty Ltd.	Version: E 05/10/2022F Page 1 of 1	



Urban Kitchens

Winton

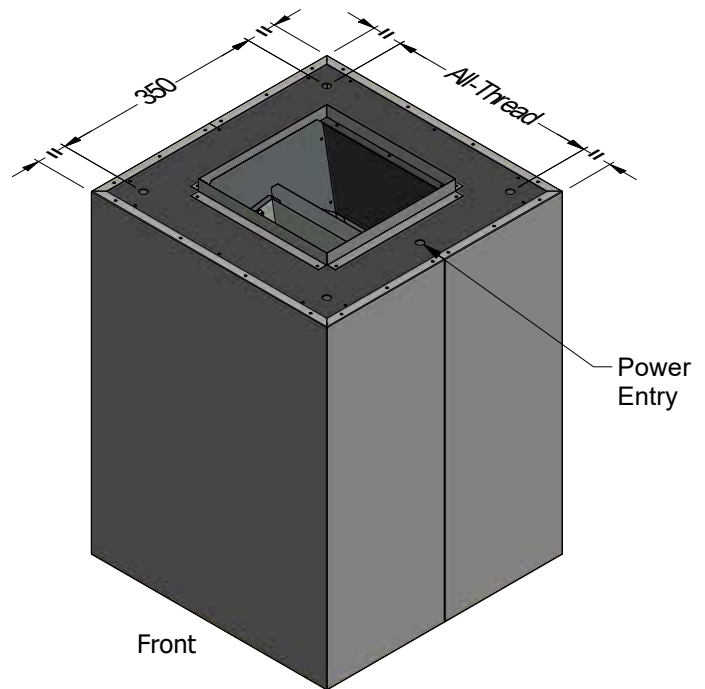
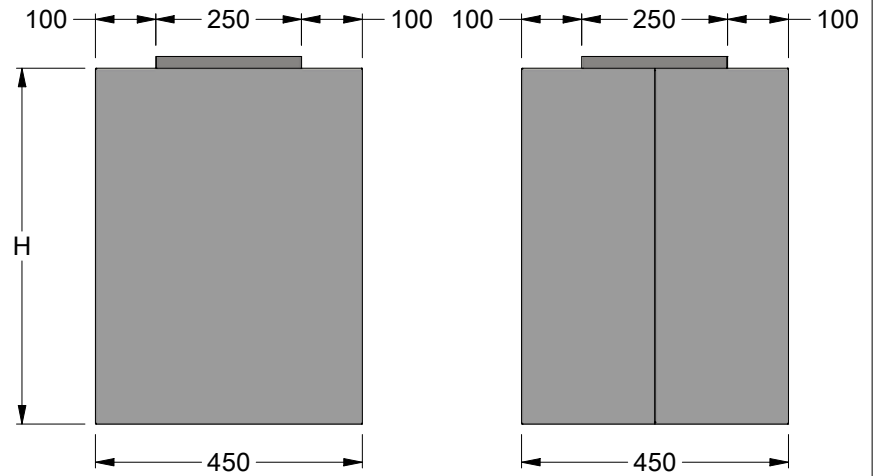
Qasair Winton rangehood is a striking linear rangehood which makes a chic statement.

This rangehood is ceiling mounted, but can be used over an island bench or peninsula, or against the wall.

This rangehood is available in 450mm square with two motors.

This rangehood has a standard maximum overall height of 1400mm.

It delivers unequalled performance with 1800 cubic metres of air movement per hour, combined with extremely quiet operation.



Front

Model	SQ 450L-2	Model	SQ 450L-2
Body Width	450mm	Filter Size	365mm x 290mm
Motor Box / Flue Width	N/A	Conversion Top/Back Back/Top	NO
Motor Qty	2	Electrical Connection	10 Amp Lead
LED Light	Cool	Minimum Height (H =)	550mm
Nightlight	YES	Maximum Height (H =)	1400mm
Light Qty	1	Coating Available	YES
Light Centres	Centre	All-thread Fixing Centres	350mm x 350mm
Filter Qty	1	Corner Type	Square
ACILR		Condari Pty Ltd.	Version: E 05/10/2022F Page 1 of 1



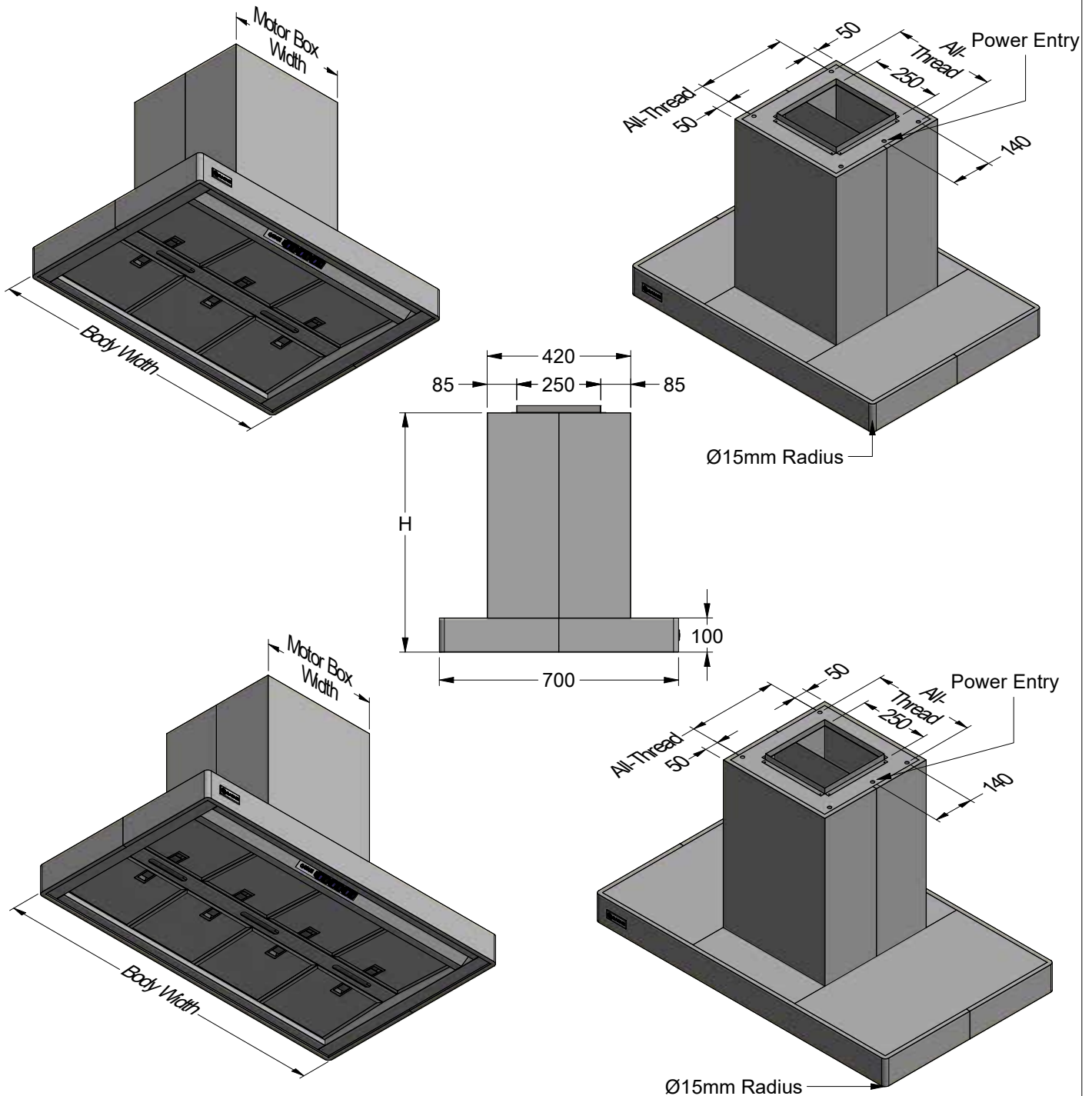
President

Qasair President rangehood is a sleek island rangehood, designed for installation over an island bench or peninsula.

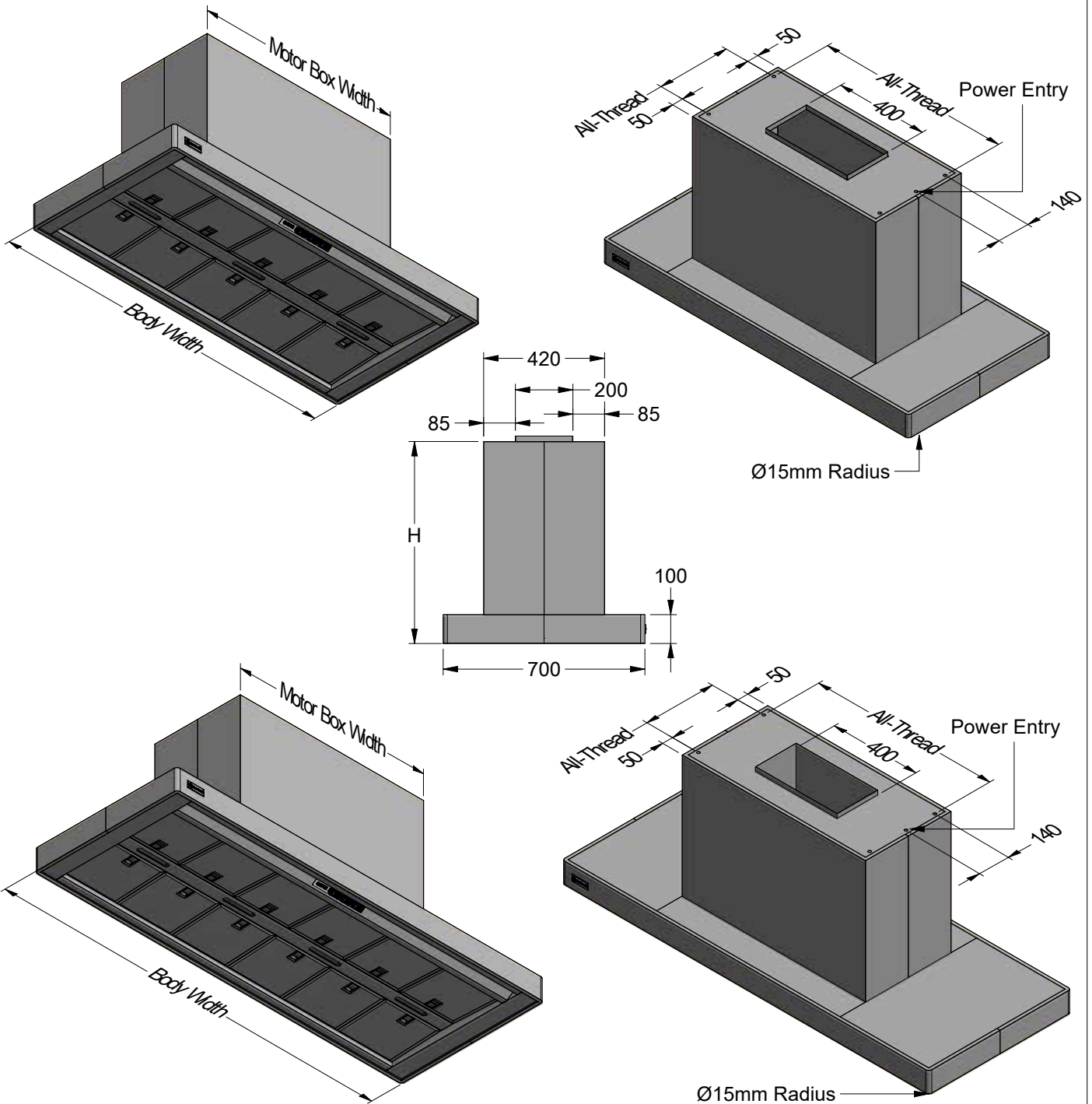
This rangehood is available in 1000mm, 1200mm widths with two motors and 1500mm, 1800mm widths with three motors.

This rangehood has a standard maximum overall height of 1600mm.

It delivers unequalled performance with up to 1800 cubic metres of air movement per hour for two motors and 2700 cubic metres of air movement per hour for three motors.



Model	PRE 1000L-2	PRE 1200L-2	Model	PRE 1000L-2	PRE 1200L-2
Body Width	1000mm	1200mm	Filter Size	290mm x 250mm	270mm x 250mm
Motor Box / Flue Width	420mm	420mm	Conversion Top/Back Back/Top	NO	NO
Motor Qty	2	2	Electrical Connection	10 Amp Lead	10 Amp Lead
LED Light	Cool	Cool	Minimum Height (H =)	550mm	550mm
Nightlight	YES	YES	Maximum Height (H =)	1550mm	1550mm
Light Qty	2	3	Coating Available	YES	YES
Light Centres	430mm	380mm	All-thread Fixing Centres	360mm x 320mm	360mm x 320mm
Filter Qty	6	8	Corner Type	Round	Round
ACILR			Condari Pty Ltd.	Version: I 05/10/2022F	Page 1 of 2



Model	PRE1500L-3	PRE 1800L-3	Model	PRE 1500L-3	PRE 1800L-3
Body Width	1500mm	1800mm	Filter Size	270mm x 250mm	270mm x 250mm
Motor Box / Flue Width	900mm	900mm	Conversion Top/Back Back/Top	NO	NO
Motor Qty	3	3	Electrical Connection	10 Amp Lead	10 Amp Lead
LED Light	Cool	Cool	Minimum Height (H =)	550mm	550mm
Nightlight	YES	YES	Maximum Height (H =)	1550mm	1550mm
Light Qty	3	4	Coating Available	YES	YES
Light Centres	510mm	422mm	All-thread Fixing Centres	840mm x 320mm	840mm x 320mm
Filter Qty	10	12	Corner Type	Round	Round
ACILR			Condari Pty Ltd.	Version: I 05/10/2022F	Page 2 of 2



*Matt Gibson Architecture + Design
and Photographer Derek Swalwell*



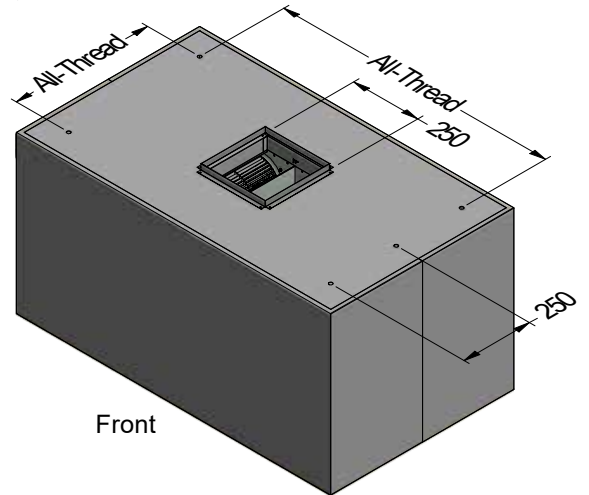
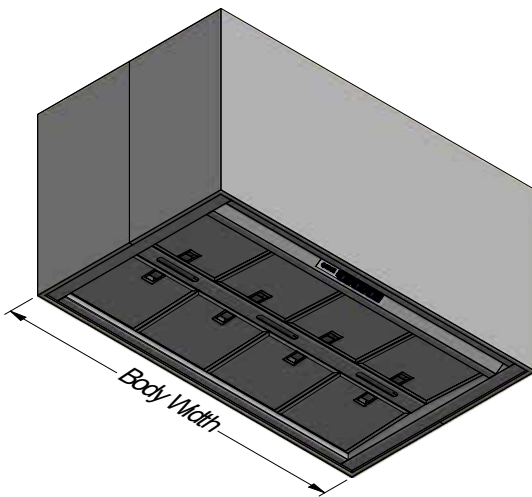
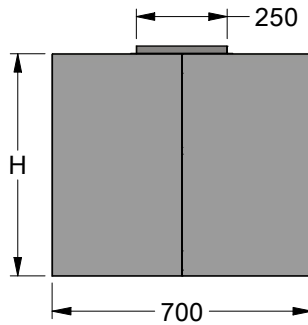
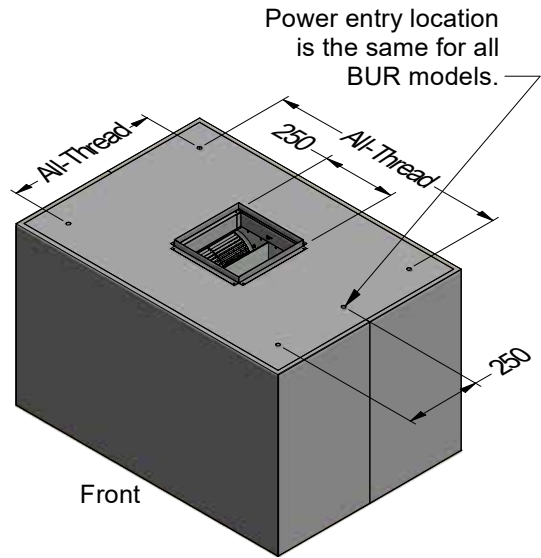
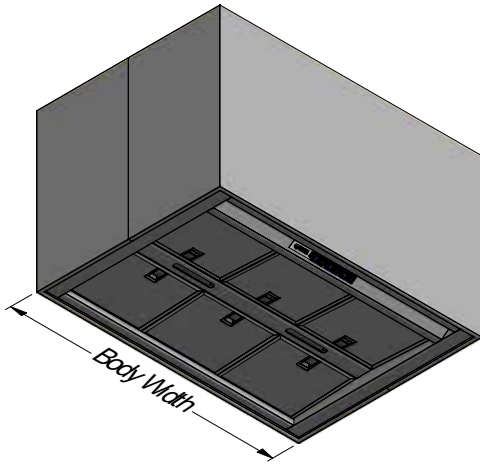
Burdett

Qasair Burdett rangehood is a box-style, island rangehood, designed for installation over an island bench or peninsula.

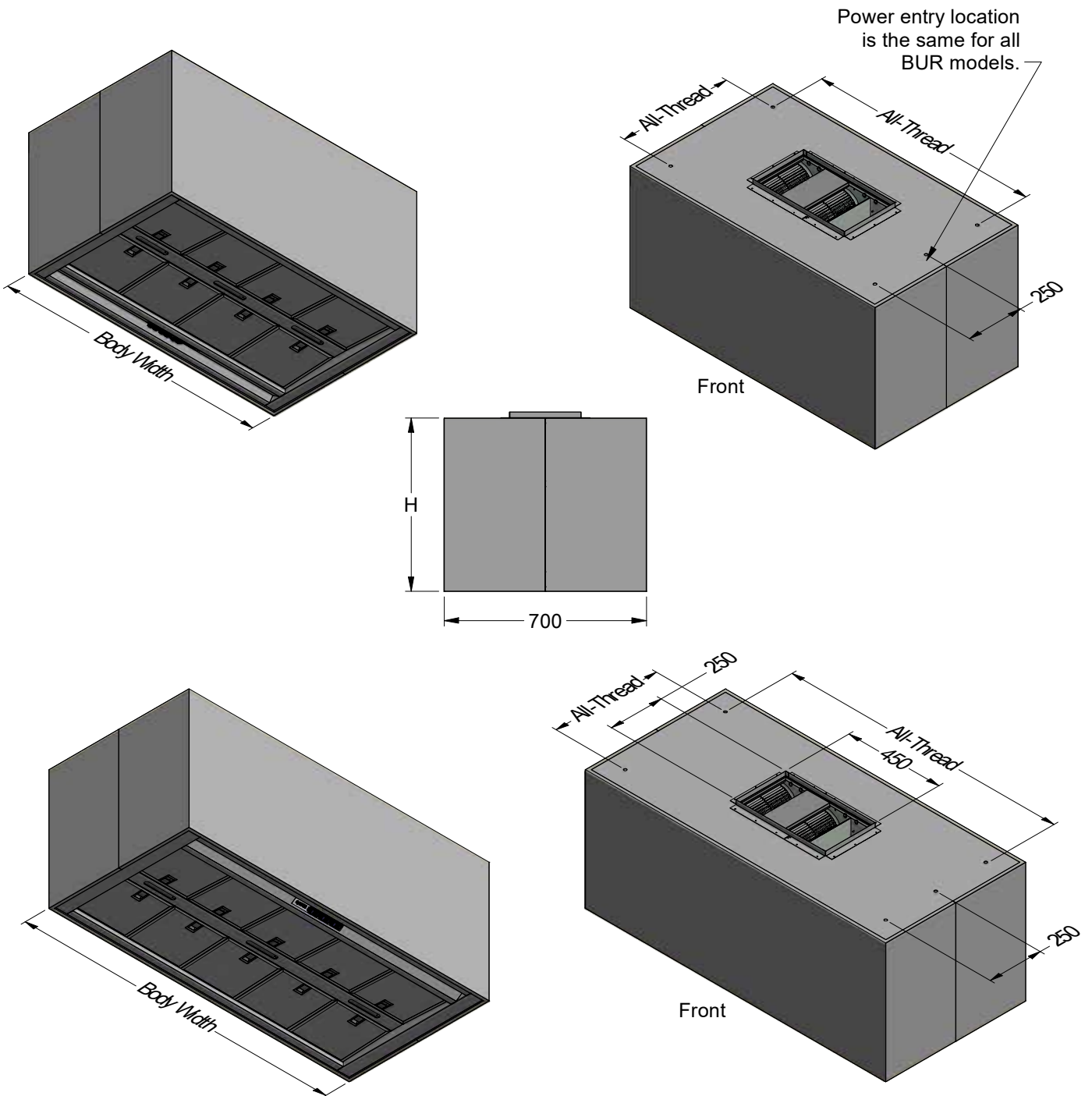
This rangehood is available in 1000mm, 1200mm widths with two motors and 1500mm widths with three motors.

This rangehood has a standard maximum height of 1450mm.

It delivers unequalled performance with up to 1800 cubic metres of air movement per hour for two motors and 2700 cubic metres of air movement per hour for three motors, combined with extremely quiet operation.



Model	BUR 1000L-2	BUR 1200L-2	Model	BUR 1000L-2	BUR 1200L-2
Body Width	1000mm	1200mm	Filter Size	290mm x 250mm	270mm x 250mm
Motor Box / Flue Width	N/A	N/A	Conversion Top/Back Back/Top	NO	NO
Motor Qty	2	2	Electrical Connection	10 Amp Lead	10 Amp Lead
LED Light	Cool	Cool	Minimum Height (H =)	400mm	400mm
Nightlight	YES	YES	Maximum Height (H =)	1450mm	1450mm
Light Qty	2	3	Coating Available	YES	YES
Light Centres	430mm	380mm	All-thread Fixing Centres	500mm x 800mm	500mm x 1000mm
Filter Qty	6	8	Corner Type	Square	Square
ACILR			Condari Pty Ltd.	Version: H 05/10/2022F Page 1 of 2	



Model	BUR 1200L-3	BUR 1500L-3	Model	BUR 1200L-3	BUR 1500L-3
Body Width	1200mm	1500mm	Filter Size	270mm x 250mm	270mm x 250mm
Motor Box / Flue Width	N/A	N/A	Conversion Top/Back Back/Top	NO	NO
Motor Qty	3	3	Electrical Connection	10 Amp Lead	10 Amp Lead
LED Light	Cool	Cool	Minimum Height (H =)	400mm	400mm
Nightlight	YES	YES	Maximum Height (H =)	1450mm	1450mm
Light Qty	3	3	Coating Available	YES	YES
Light Centres	380mm	510mm	All-thread Fixing Centres	500mm x 1000mm	500mm x 1300mm
Filter Qty	8	10	Corner Type	Square	Square
ACILR			Condari Pty Ltd.	Version: H 05/10/2022F Page 2 of 2	





QASAIR CONDITIONS

Please note the following conditions:

Product specifications in this brochure are correct at the date of publication (as printed below), but are subject to change at any time;

The Installation Instructions supplied with each rangehood provide complete details of each product. In all cases, the installer or cabinetmaker should work from the rangehood, rather than product specifications;

Specifications are provided only to give an indication of the space required. They must not be used for installation;

Check with your Appliance Retailer to ensure that this brochure applies to currently available products.

Alterations to rangehoods will result in a quotation.

Melbourne, 2024

CONDARI

PTY. LTD.

Manufactured in Australia by Condari Pty Ltd

T 1300 360 563

www.qasair.com.au

www.condari.com.au

Head office VIC

T 03 9482 7088

Email: sales@qasair.com.au

NSW / ACT

T 02 9316 4599

Email: salesnsw@qasair.com.au

QLD

T 07 3423 3503

Email: salesqld@qasair.com.au

SA / NT

T 1300 360 563

Email: salessa@qasair.com.au

TAS

T 03 9482 7088

Email: sales@qasair.com.au

WA

T 08 9242 5387

Email: saleswa@qasair.com.au

NEW ZEALAND – Kouzina Appliances

T +64 9 377 7822

Email: sales@kouzina.co.nz

www.kouzina.co.nz

SINGAPORE – Eldric Marketing

T +65 6339 1188

Email: enquiry@eldric.sg

www.eldric.sg

INDONEASIA – PT Multi Exindo Indah

T +62 21 723 7888

Email: inquiry@mulxindo.id

www.mulxindo.id

RANGEHOODS MADE IN RINGWOOD 3134

QASAIR RESERVES THE RIGHT TO CHANGE SPECIFICATION WITHOUT NOTICE.

® IS A REGISTERED TRADE MARK.

Printed in Melbourne Australia 03/2024



www.condari.com.au