

CONDOR RANGE – XL BAL/BCM SHROUD

CUSTOMER SPECIFICATION SHEET

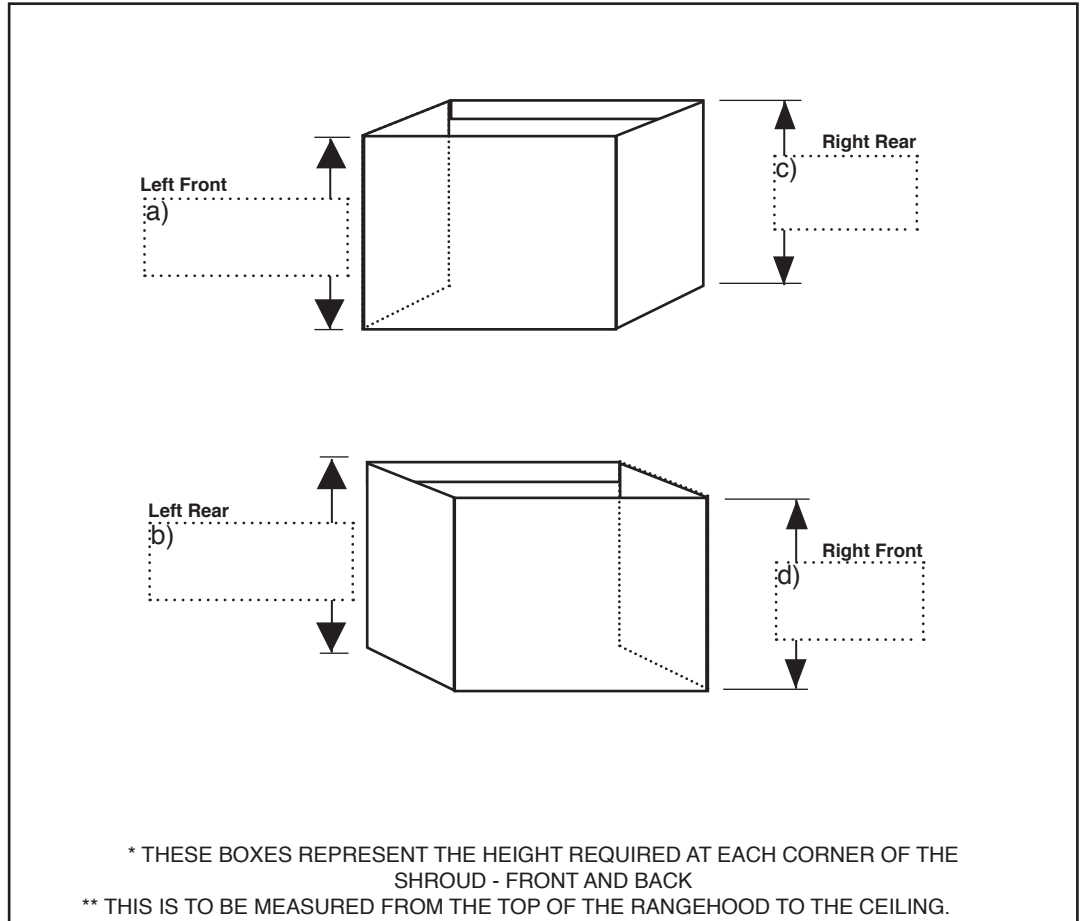
The order will not be confirmed until this form is signed and completed.

SHROUD TO SUIT

- XLBAL
- XLBCM

FINISH

- Stainless Steel



SHROUD MIN STANDARD HEIGHT
50 MM

SHROUD MAX STANDARD HEIGHT
1450 MM

DATE _____ ORDER NO. _____

COMPANY _____

CONSULTANT _____

TYPE & BRAND OF HOTPLATE _____

DEPTH OF BENCH TOP _____

DATE REQUIRED _____

COMMENTS _____

CUSTOMER SIGNATURE _____

CONDARI APPROVAL _____ SIGNATURE _____

Condari Pty Ltd ABN: 51 056 577 765 | Phone: 1300 360 563 | 668 Smith Street Clifton Hill VIC 3068

VIC / TAS
 Email: sales@qasair.com.au
 Phone: 03 9482 7088
 Fax: 03 9482 7011

NSW / ACT
 Email: salesnsw@qasair.com.au
 Phone: 02 9316 4599
 Fax: 02 9316 9299

QLD
 Email: salesqld@qasair.com.au
 Phone: 07 3423 3503
 Fax: 07 3282 9122

SA / NT
 Email: salessa@qasair.com.au
 Phone: 1300 360 563
 Fax: 03 9482 7011

WA
 Email: saleswa@qasair.com.au
 Phone: 08 9242 5387
 Fax: 08 9201 0887