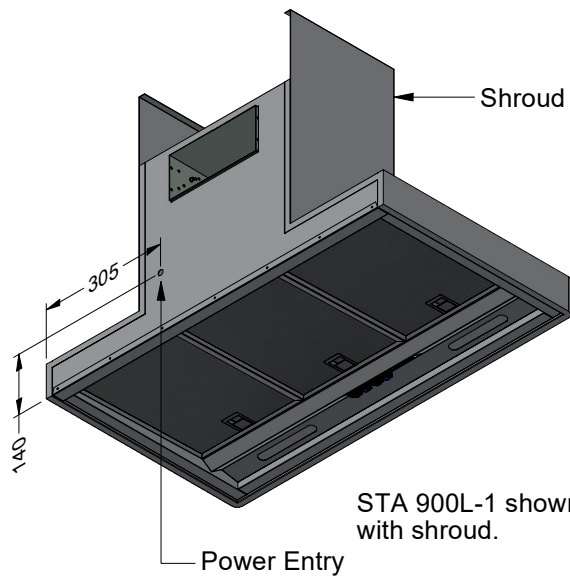
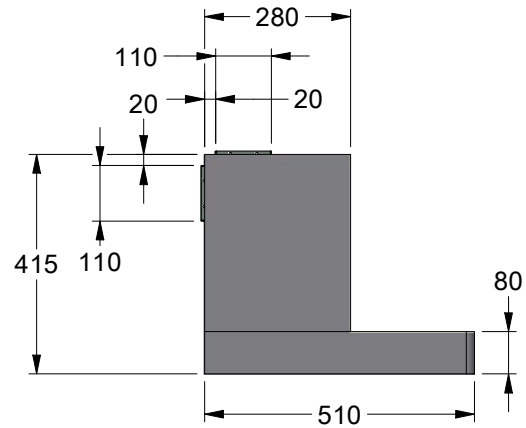
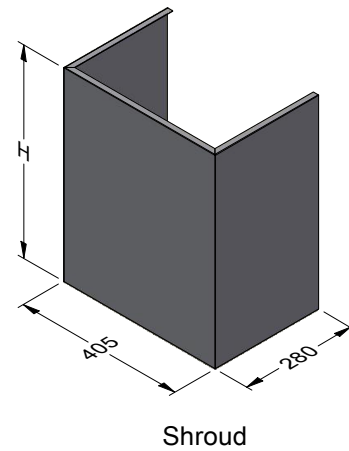


STA 900L-1 shown without shroud.



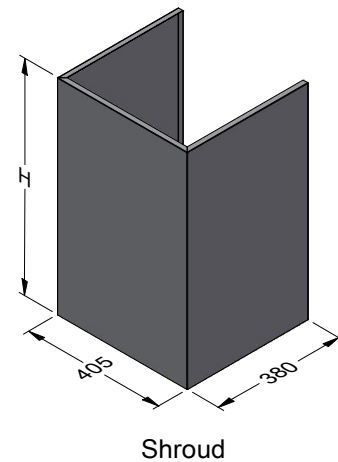
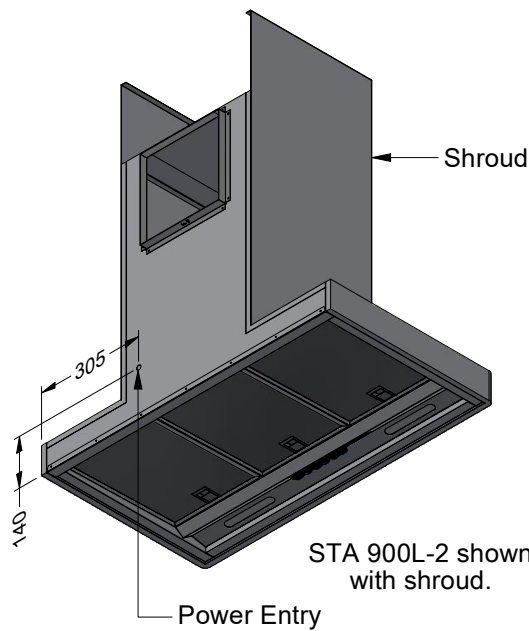
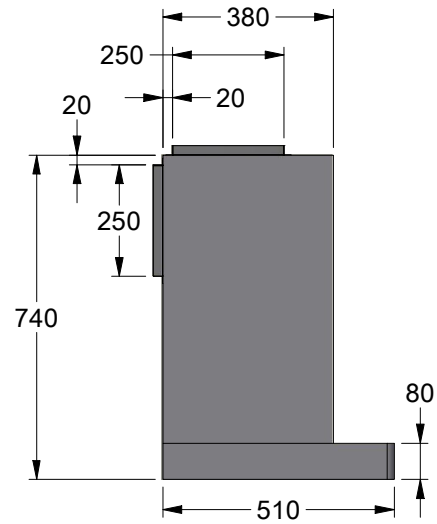
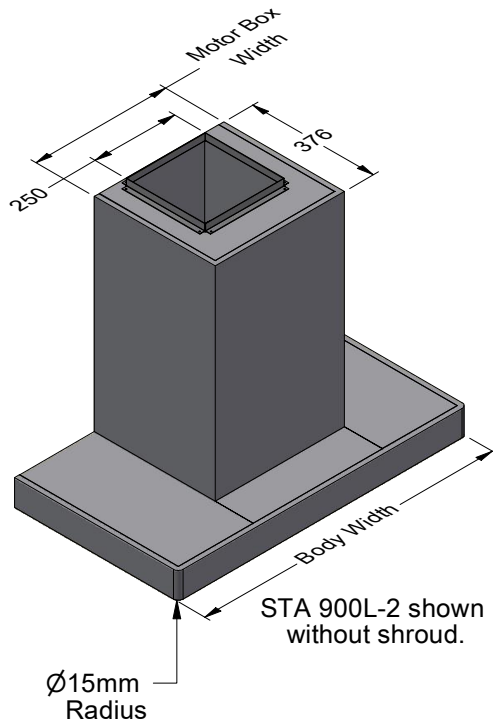
STA 900L-1 shown with shroud.



Shroud

Rangehood can be ordered as back or top ducted.

Model	STA 900L-1	Model	STA 900L-1
Body Width	900mm	Filter Size	272mm x 355mm
Motor Box / Flue Width	403mm	Conversion Top/Back Back/Top	YES
Motor Qty	1	Electrical Connection	Junction Box
LED Light	Cool	Minimum Height (H =)	335mm
Nightlight	YES	Maximum Height (H =)	1470mm
Light Qty	2	Coating Available	YES
Light Centres	510mm	All-thread Fixing Centres	N/A
Filter Qty	3	Corner Type	Round
ACWMLR		Condari Pty Ltd.	Version: K 23/06/2026F Page 1 of 2

STA
Wall Mounted


Rangehood can be ordered as back or top ducted.

Model	STA 900L-2	Model	STA 900L-2
Body Width	900mm	Filter Size	272mm x 355mm
Motor Box / Flue Width	403mm	Conversion Top/Back Back/Top	YES
Motor Qty	2	Electrical Connection	Junction Box
LED Light	Cool	Minimum Height (H =)	660mm
Nightlight	YES	Maximum Height (H =)	1470mm
Light Qty	2	Coating Available	YES
Light Centres	510mm	All-thread Fixing Centres	N/A
Filter Qty	3	Corner Type	Round
ACWMLR		Condari Pty Ltd.	Version: K 23/06/2026F Page 2 of 2